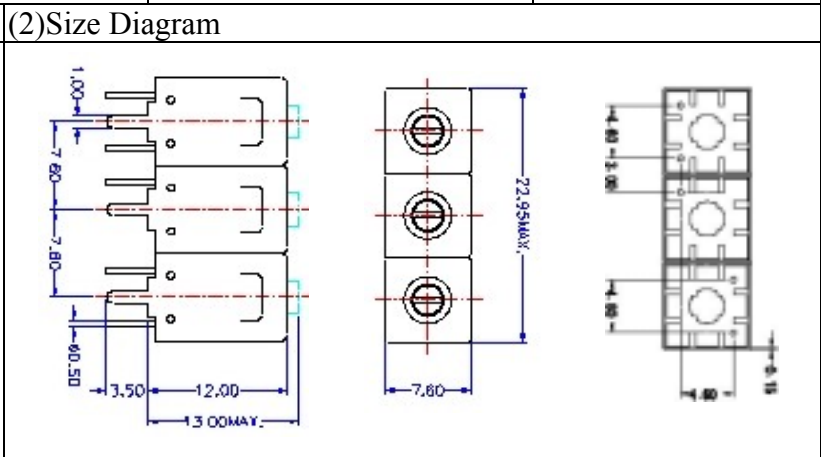
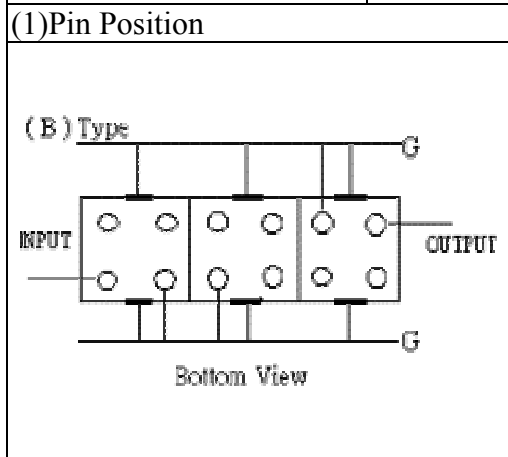


VHF UHF Helical Filter Specification Sheet

Customer Name		Temwell's Part No.	TT6764B-260M
Approval No. /dated	1001051CD	Temwell's Print name.	6764B 260M
Work Instruction No.	201001051CD	Date	Mar.17.2010



(3) Electric Characteristic

Item	Specify
Center Freq.(Fo) +/- 0.75 %	260 MHz
Insertion Loss	Typ. 3.0 dB
-3 dB Bandwidth	Typ. 10 MHz
Sensitivity (Attenuation)	Fo - (20) MHz Typ. 30 dBc
	Fo + (20) MHz Typ. 30 dBc
	Fo - () MHz Typ. dBc
	Fo + () MHz Typ. dBc
Return Loss	Min. 12 dB
Ripple	< 1 dB
Impedance	In / Out : 50 Ω

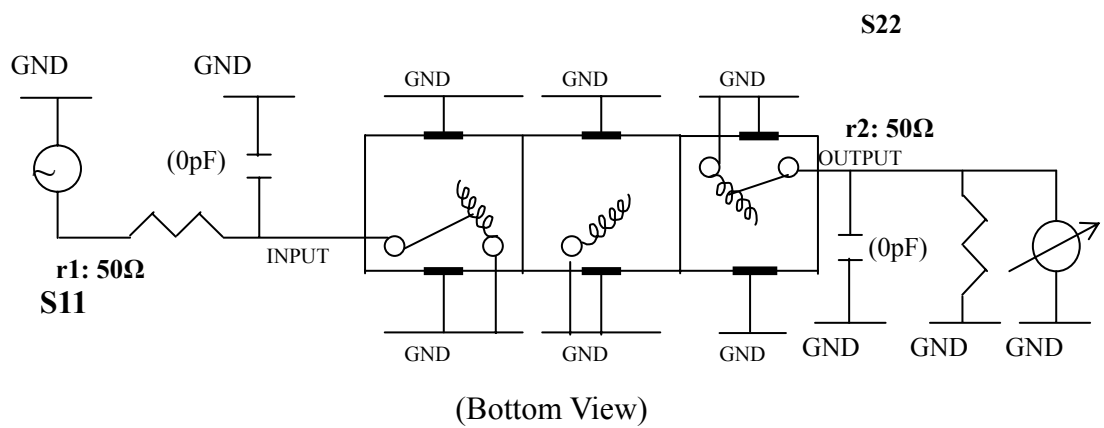
(4) Torque for Tuning Screw > 100gf cm

(5) Temperature Condition:

Operating Temperature	-30 ~ +70
Storage Temperature	-30 ~ +80

(6) Input Power > 1Watt

(7) Measuring Circuit: Easy to match Impedance S11/S22 50Ω by parallel with about(0pF) / (0pF).

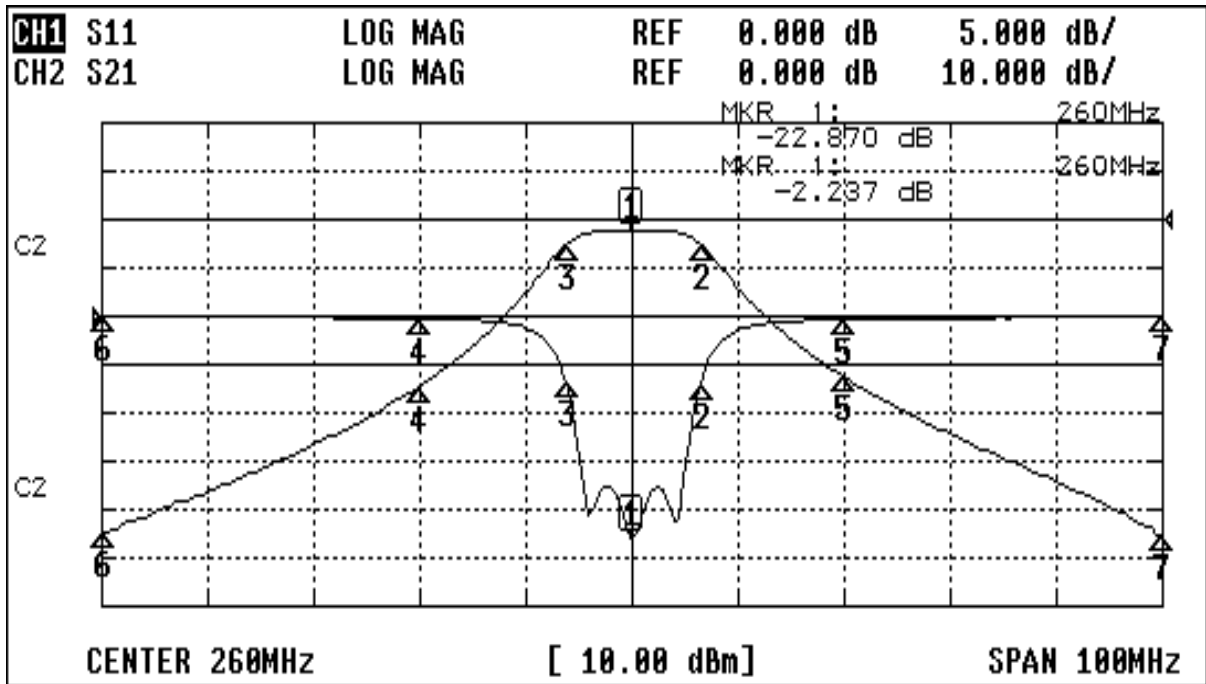


Approval	Supervisor	Designer	Aperture size
C.Y.Chang	C.K.Chang	J.F.Lin	7H3S(4*5.5)(5.55) 7H024LB4

TEMWELL CORPORATION

Performance-TT6764B-260M

201001051CD



CH1 MARKER LIST		
1	260.0000MHz	-22.870 dB
2	266.5000MHz	-7.090 dB
3	253.8333MHz	-6.795 dB
4	240.0000MHz	-10.235 dB
5	280.0000MHz	-10.300 dB
6	210.0000MHz	-10.090 dB
7	310.0000MHz	-0.107 dB

CH2 MARKER LIST		
1	260.0000MHz	-2.237 dB
2	266.5000MHz	-1.131 dB
3	253.8333MHz	-0.900 dB
4	240.0000MHz	-4.266 dB
5	280.0000MHz	-5.534 dB
6	210.0000MHz	-5.186 dB
7	310.0000MHz	-0.059 dB