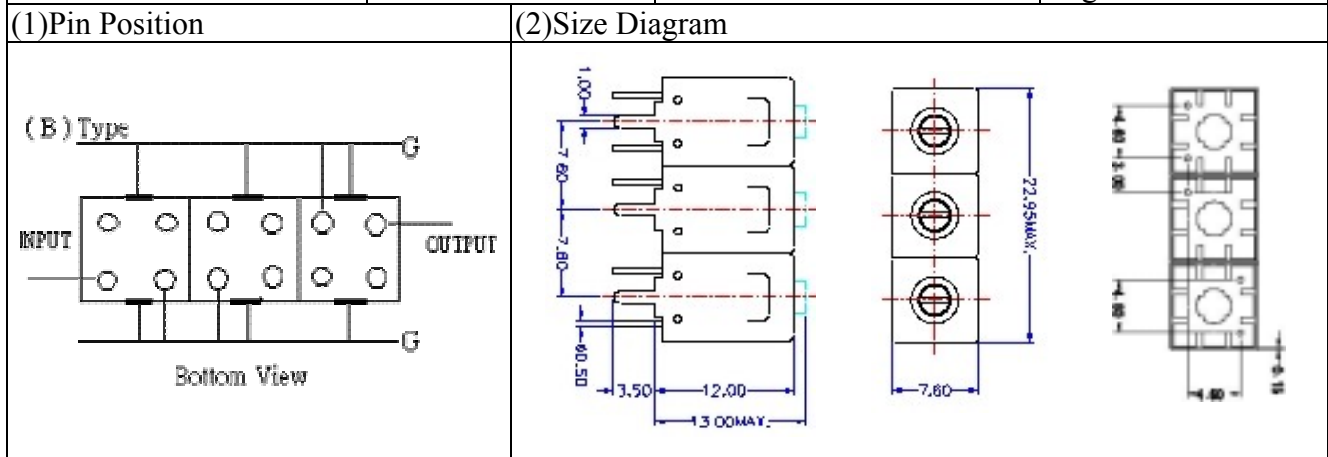
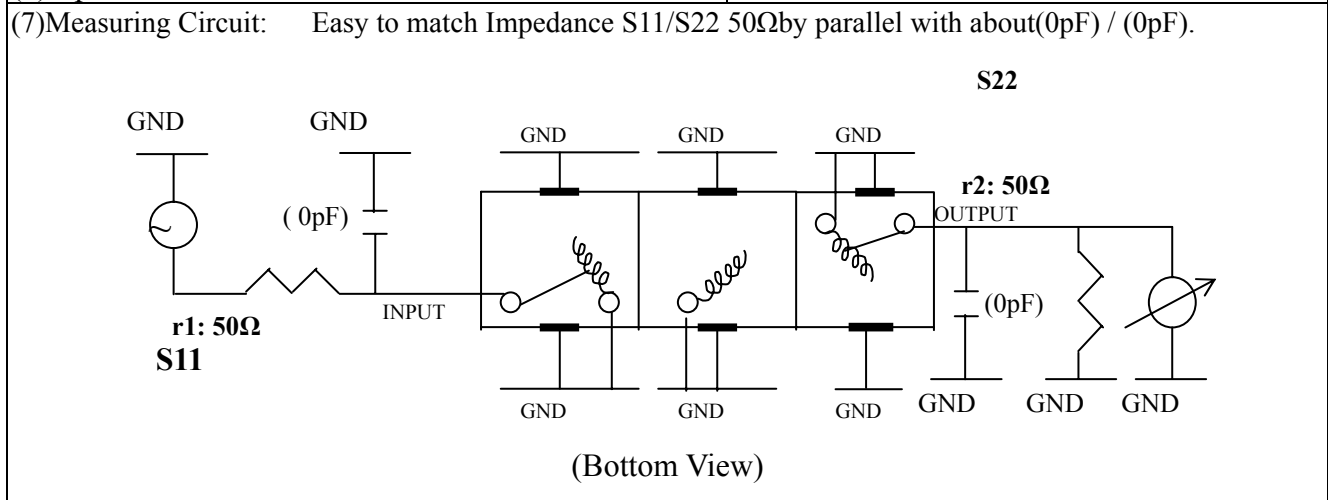


# VHF UHF Helical Filter Specification Sheet

Customer Name		Temwell's Part No.	TT6762B-227.5M
Approval No. /dated	0802068APR	Temwell's Print name.	6762B 227.5M
Work Instruction No.	200808043A	Date	Aug.22.2008



(3) Electric Characteristic		Item	Specify
		Center Freq.(Fo ) +/- 0.5 %	227.5 MHz
		Tunable Range:	227.5±2 MHz
		Insertion Loss	Typ. 3.0 dB
		-3 dB Bandwidth	Typ. 10 MHz
Sensitivity (Attenuation )	Fo - (20) MHz	Typ. 35 dBc	
	Fo + (20) MHz	Typ. 30 dBc	
	Fo - ( ) MHz	Typ. dBc	
	Fo + ( ) MHz	Typ. dBc	
		Return Loss	Min. 12 dB
		Ripple	< 1 dB
		Impedance	In / Out : 50 Ω
(4) Torque for Tuning Screw			> 100gf cm
(5) Temperature Condition:			
Operating Temperature			-0 ~ +60
Storage Temperature			-20 ~ +70
(6) Input Power			> 1Watt



Approval	Supervisor	Designer	Aperture size
C.Y.Chang	C.S.Chang	J.F.Lin	7H3S(4*5.5F) (7H024LB4)

TEMWELL CORPORATION

# Performance-TT6762B-227.5M

## 200808043A

