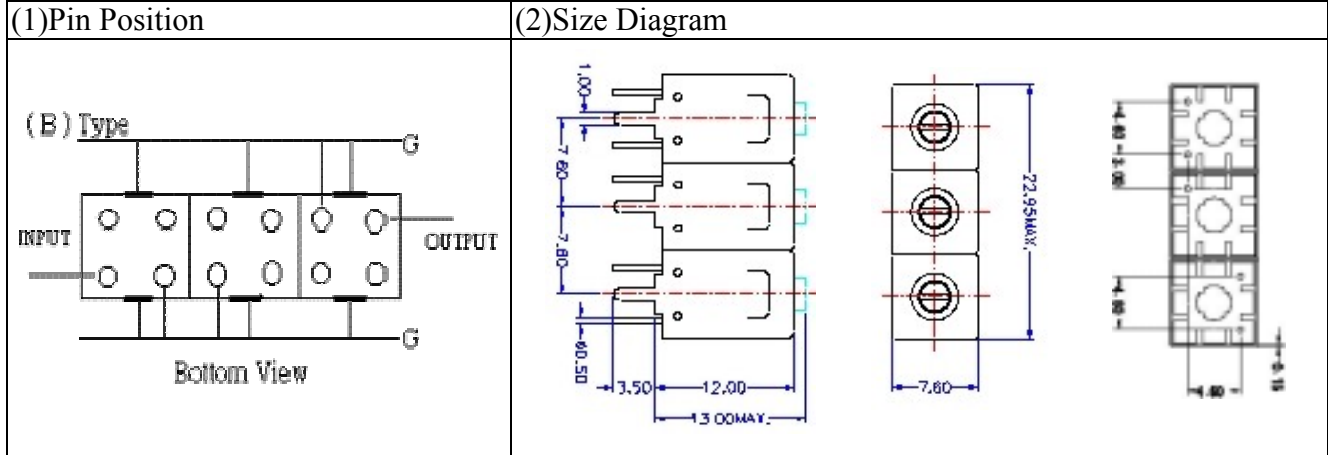
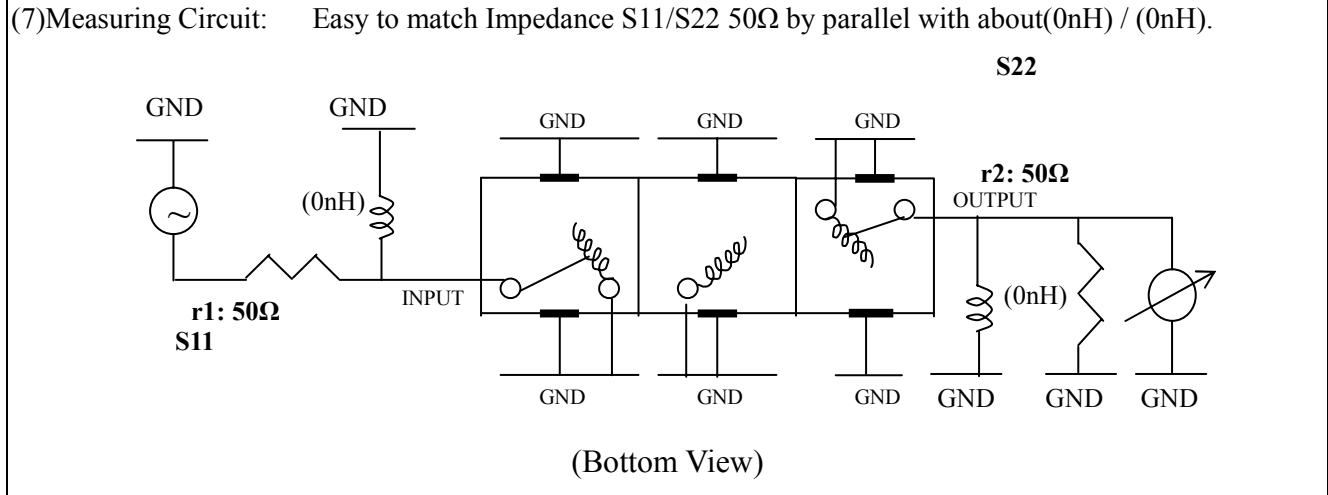


VHF UHF Helical Filter Specification Sheet

Customer Name		Temwell's Part No.	TT67626B-60M
Approval No. /dated	0709006APR	Temwell's Print name	67626B 60M
Work Instruction No.	0709006C	Date	Sep.06.2007



(3) Electric Charasteric	
Item	Specify
Center Freq.(Fo) +/- 0.5 %	60 MHz
Tunable Range:	60±2 MHz
Insertion Loss	Typ. 4.0 dB
-3 dB Bandwidth	Typ. 4 MHz
Sensitivity (Attenuation)	Fo - 10 MHz Typ. 28 dBc
	Fo + 10 MHz Typ. 31 dBc
	Fo - ()MHz Typ. dBc
	Fo +()MHz Typ. dBc
Return Loss	Min. 12 dB
Ripple	< 1 dB
Impedance	In / Out : 50 Ω
(4) Torque for Tuning Screw	> 100gf cm
(5) Temperature Condition:	
Operating Temperature	0 ~ +60
Storage Temperature	-20 ~ +70
(6) Input Power	> 1Watt

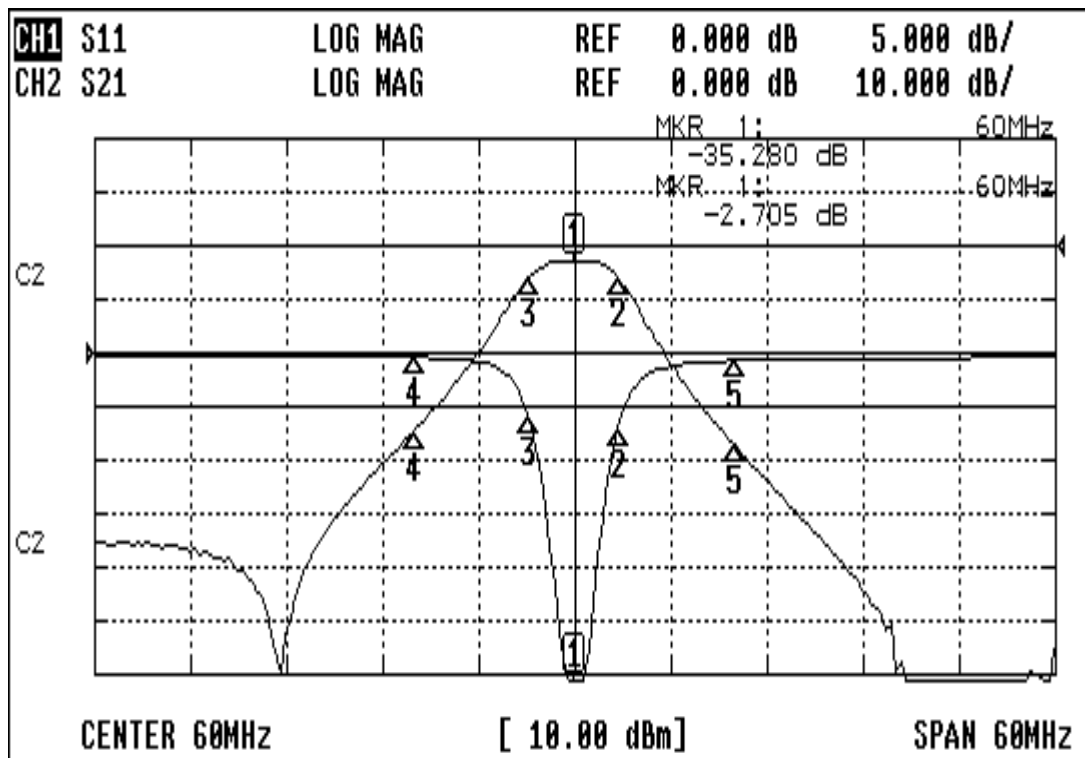


Approval C.Y.Chang	Supervisor C.S.Chang	Designer K.M.Yin	Aperture size 7H3S(4*5.5)F 7H00LB6
-----------------------	-------------------------	---------------------	--

TEMWELL CORPORATION

Performance-TT67626B-60M

0709006C



CH1 MARKER LIST

Marker	Frequency (MHz)	Magnitude (dB)
1	60.000	-35.280
2	62.750	-5.800
3	57.150	-5.960
4	50.000	-0.899
5	70.000	-0.706

CH2 MARKER LIST

Marker	Frequency (MHz)	Magnitude (dB)
1	60.000	-2.705
2	62.750	-5.827
3	57.150	-5.804
4	50.000	-4.463
5	70.000	-37.240