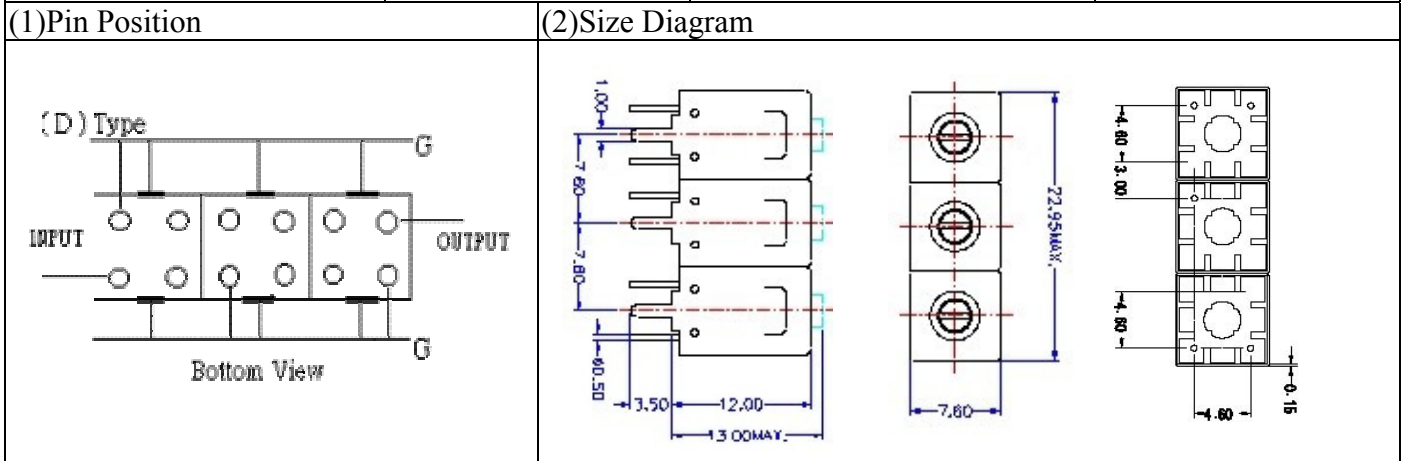


# VHF UHF Helical Filter Specification Sheet

Customer Name		Temwell's Part No.	TT6755D1-144M
Approval No. /dated		Temwell's Print Name	6755D1 144M
Work Instruction No.	201110070A	Date	Nov.04.2011



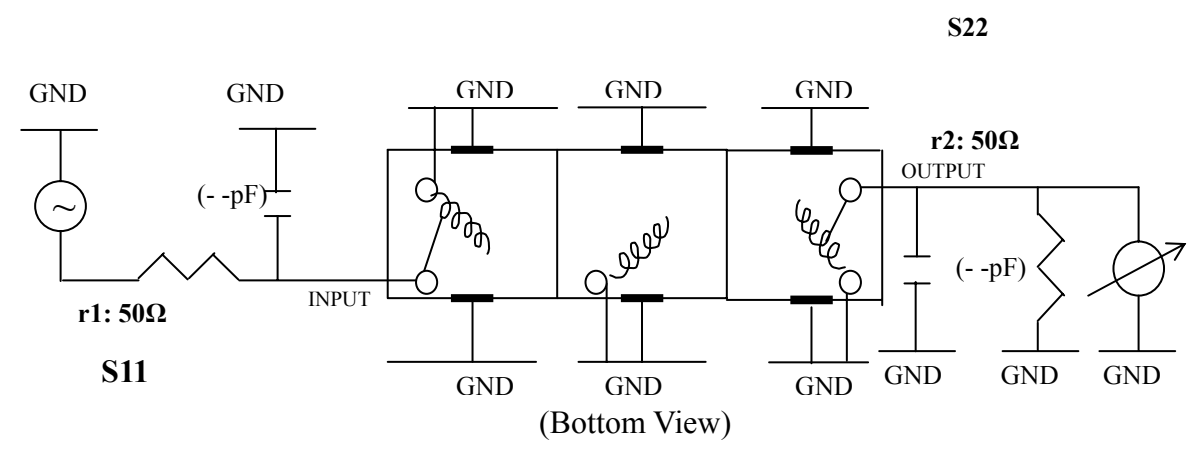
(3) Electric Characteristic		Item	Specify
		Center Freq.(Fo) +/- 0.5 %	144 MHz
		Insertion Loss	Typ. 3.5 dB
		-3 dB Bandwidth	Typ. 5 MHz
Sensitivity (Attenuation)	Fo - 10 MHz	Typ. 31 dBc	
	Fo + 10 MHz	Typ. 23 dBc	
	Fo - ( )MHz	Typ. dBc	
	Fo +( )MHz	Typ. dBc	
		Return Loss	Min. 12 dB
		Ripple	< 1 dB
		Impedance	In / Out : 50 Ω

(4) Torque for Tuning Screw > 100gf · cm

(5) Temperature Condition:	
Operating Temperature	0°C ~ +60°C
Storage Temperature	-20°C ~ +70°C

(6) Input Power > 1Watt

(7) Measuring Circuit: ※Easy to match Impedance S11/S22 50Ω/ by parallel with about(- pF) / (- pF).

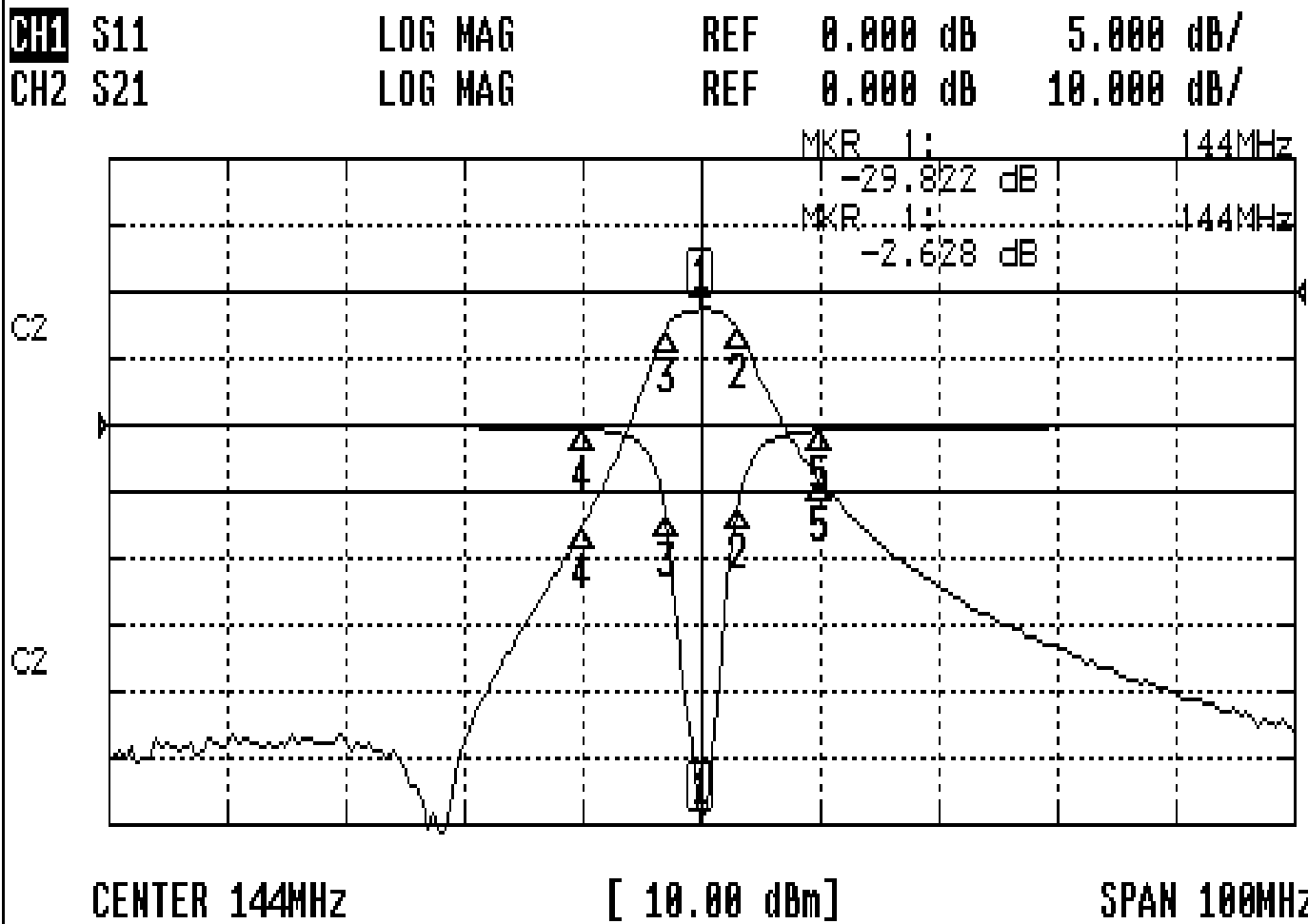


Approval	Supervisor	Designer	Aperture size
C.Y.Chang	C.K.Chang	C.H.Yeh	7H3S(4*6.35)(6.39) 7H024LB4

TEMWELL CORPORATION

# Performance-TT6755D1-144M

## 201110070A



### CH1 MARKER LIST

1:	144.000MHz	-29.822	dB
2:	147.166MHz	-5.923	dB
3:	141.000MHz	-6.656	dB
4:	134.000MHz	-0.320	dB
5:	154.000MHz	-0.405	dB
6:			
7:			
8:			
9:			
10:			

### CH2 MARKER LIST

1:	144.000MHz	-2.628	dB
2:	147.166MHz	-5.691	dB
3:	141.000MHz	-5.681	dB
4:	134.000MHz	-35.407	dB
5:	154.000MHz	-28.175	dB
6:			
7:			
8:			
9:			
10:			