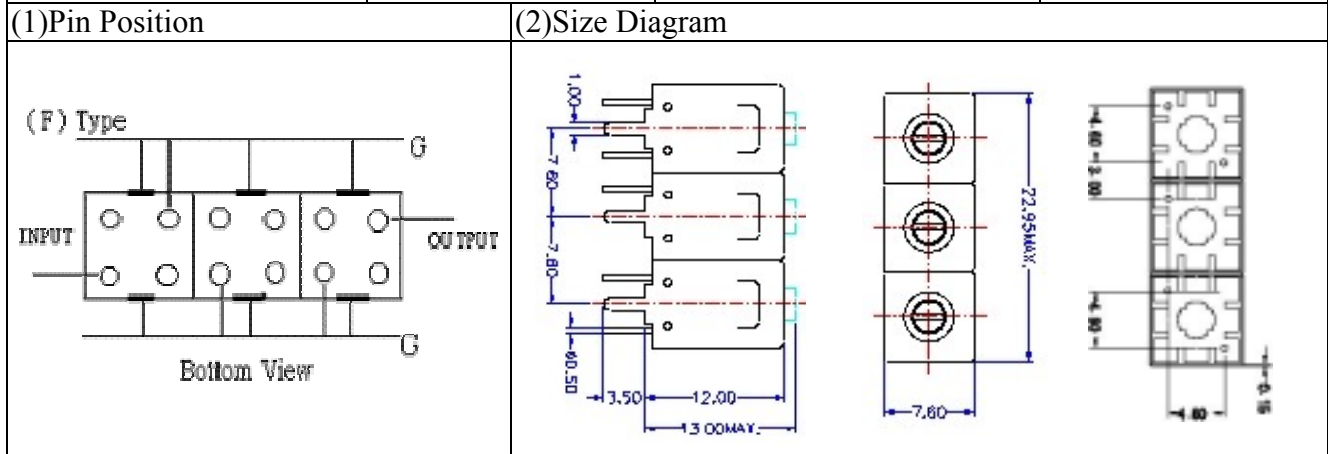


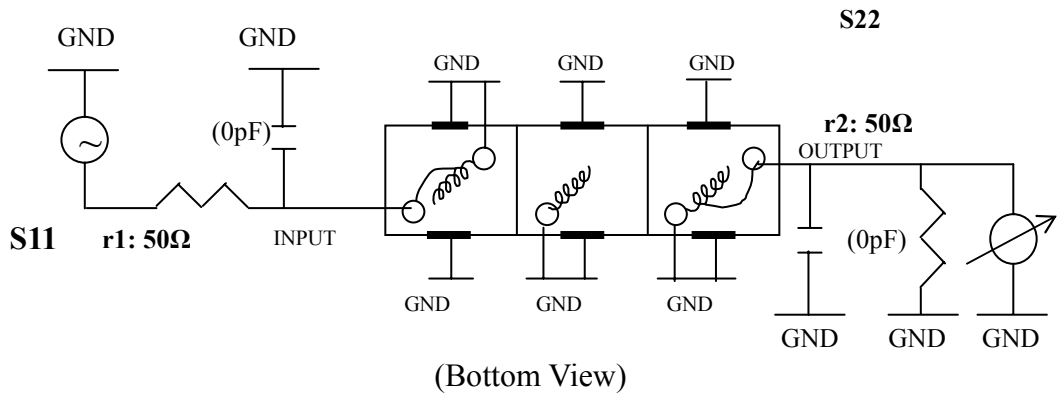
# VHF UHF Helical Filter Specification Sheet

Customer Name		Temwell's Part No.	TT67549F-940.5M
Approval No. /dated	0809068C	Temwell's print name	67549F 940.5M
Work Instruction No.	200809068C	Date	Oct.01.2008



(3) Electric Charasteric	
Item	Specify
Center Freq.(Fo ) +/- 0.5 %	940.5 MHz
Tunable Range:	940.5±5 MHz
Insertion Loss	Typ. 3.0 dB
-3 dB Bandwidth	Typ. 40 MHz
Sensitivity (Attenuation)	Fo - 150 MHz Typ. 58 dBc
	Fo + 150 MHz Typ. 34 dBc
	Fo - ( )MHz Typ. dBc
	Fo +( )MHz Typ. dBc
Return Loss	Min. 12 dB
Ripple	< 1 dB
Impedance	In / Out : 50 Ω
(4) Torque for Tuning Screw	> 100gf cm
(5) Temperature Condition:	
Operating Temperature	0 ~ +60
Storage Temperature	-20 ~ +70
(6) Input Power	> 1Watt

(7) Measuring Circuit: Easy to match Impedance S11/S22 50Ω by parallel with about( 0pF) / (0pF).

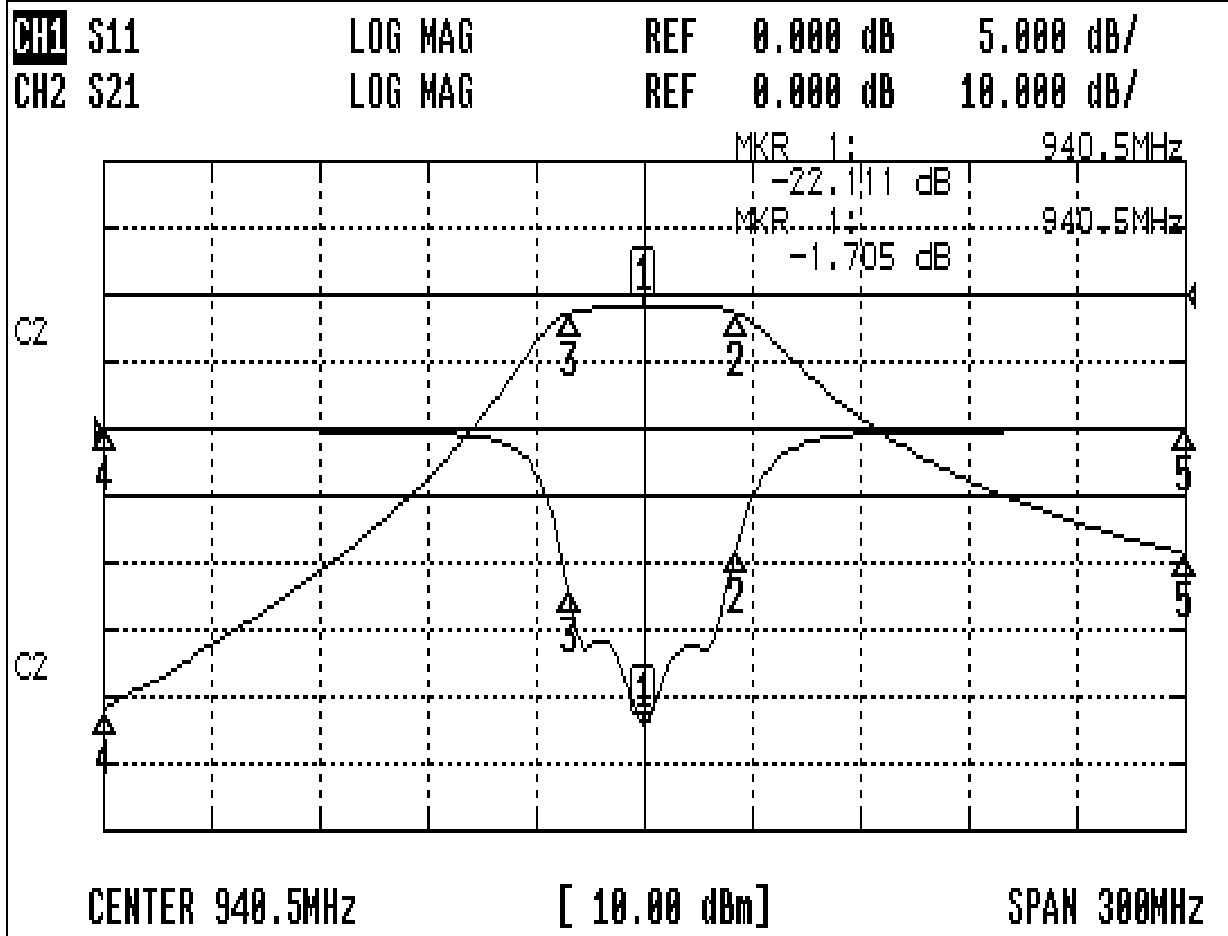


Approval	Supervisor	Designer	Aperture size
C.Y.Chang	C.S.Chang	Y.H.Yeh	7H3S(4*6.5F) 7H046LB5

TEMWELL CORPORATION

# Performace-TT67549F-940.5M

## 200809068C



### CH1 MARKER LIST

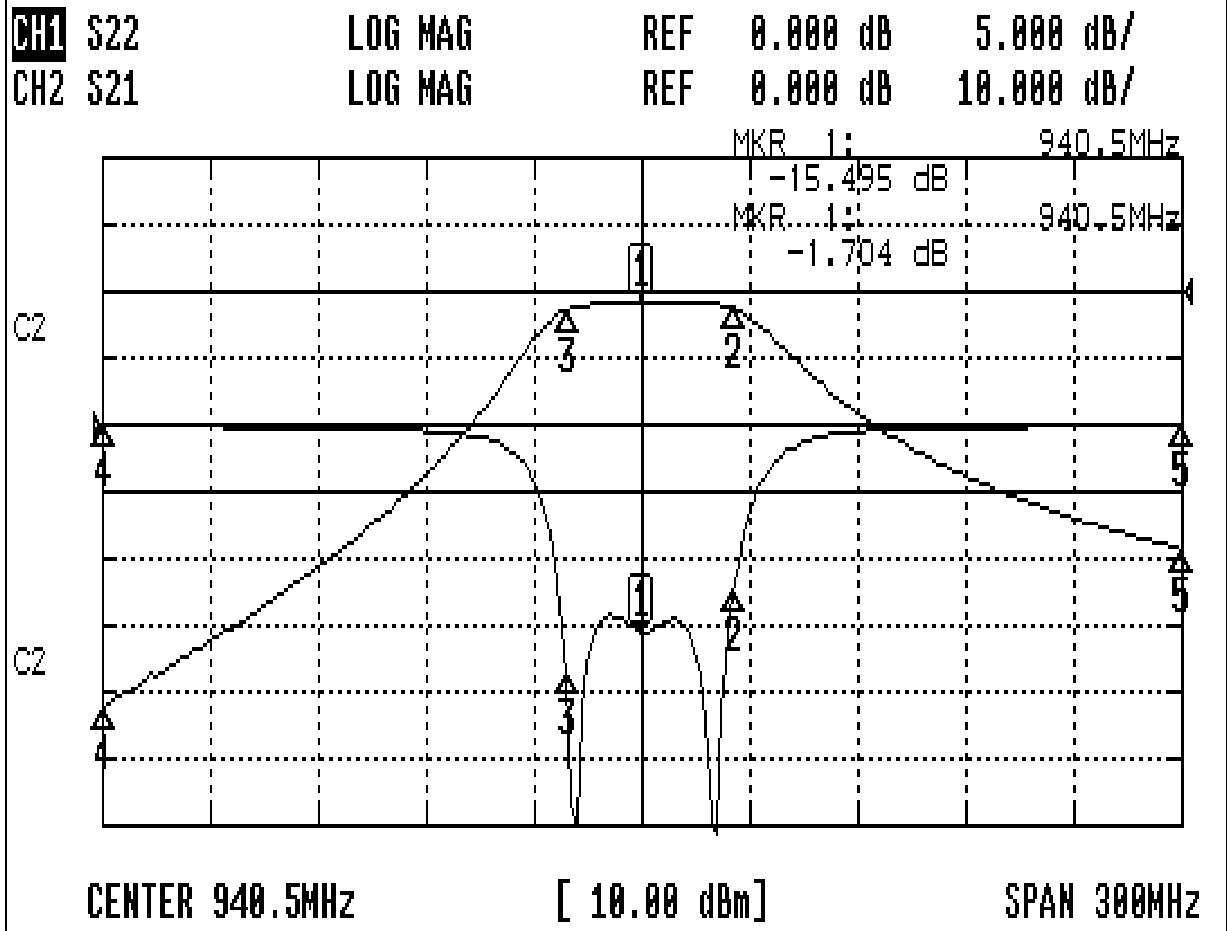
1:	940.500MHz	-22.111 dB
2:	966.250MHz	-8.963 dB
3:	919.500MHz	-11.983 dB
4:	790.500MHz	-0.083 dB
5:	1.090 500GHz	-0.103 dB

### CH2 MARKER LIST

1:	940.500MHz	-1.701 dB
2:	966.250MHz	-2.720 dB
3:	919.500MHz	-2.695 dB
4:	790.500MHz	-61.727 dB
5:	1.090 500GHz	-38.567 dB

# Performance-TT67549F-940.5M

## 200809068C



### CH1 MARKER LIST

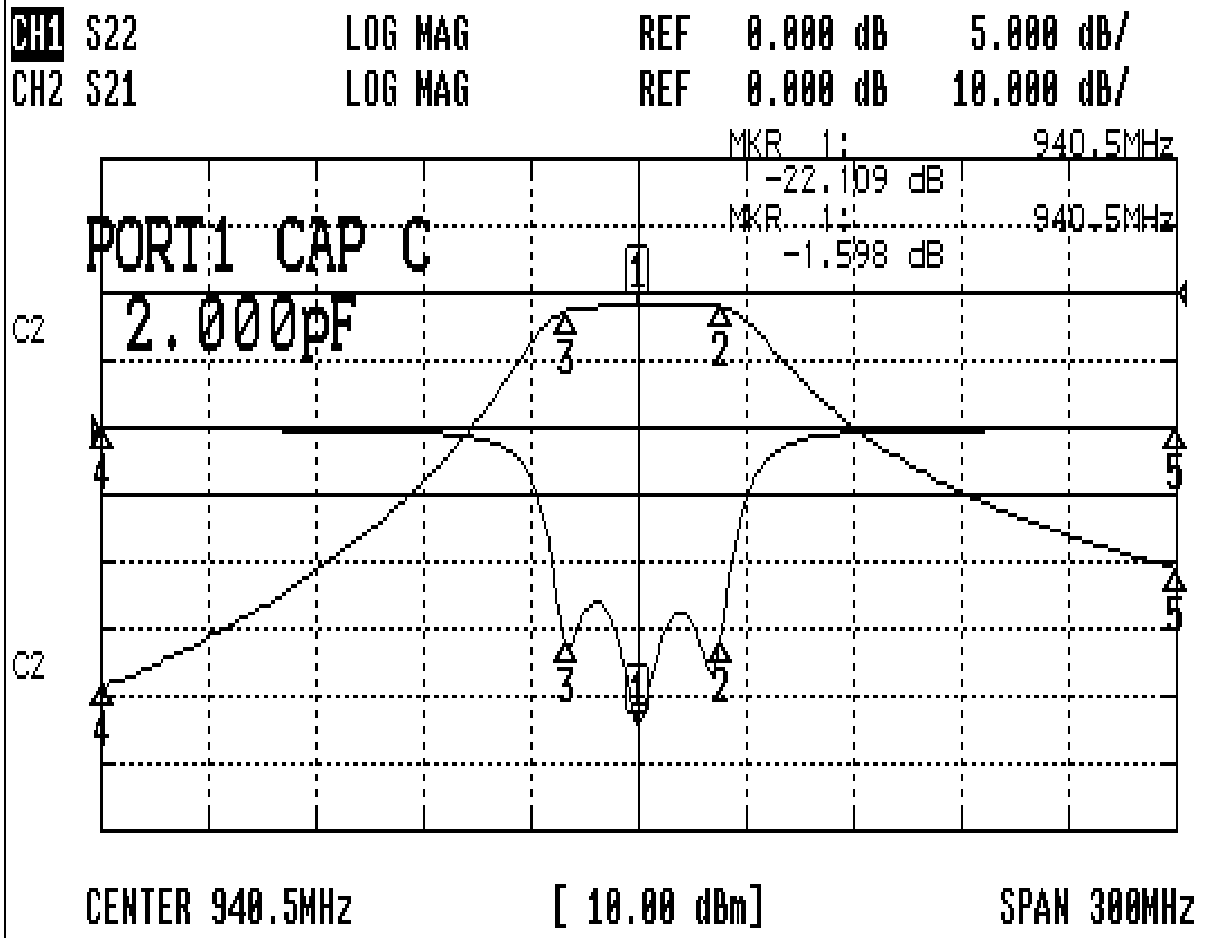
1:	940.500MHz	-15.502 dB
2:	966.250MHz	-12.266 dB
3:	919.500MHz	-18.536 dB
4:	790.500MHz	-0.104 dB
5:	1.090 500GHz	-0.111 dB

### CH2 MARKER LIST

1:	940.500MHz	-1.704 dB
2:	966.250MHz	-2.637 dB
3:	919.500MHz	-2.777 dB
4:	790.500MHz	-62.406 dB
5:	1.090 500GHz	-38.566 dB

# Performance-TT67549F-940.5M

## 200809068C



### CH1 MARKER LIST

1:	940.500MHz	-22.109 dB
2:	963.500MHz	-15.924 dB
3:	920.250MHz	-15.916 dB
4:	790.500MHz	-0.078 dB
5:	1.090 500GHz	-0.109 dB

### CH2 MARKER LIST

1:	940.500MHz	-1.601 dB
2:	963.500MHz	-2.095 dB
3:	920.250MHz	-2.752 dB
4:	790.500MHz	-58.954 dB
5:	1.090 500GHz	-40.922 dB