



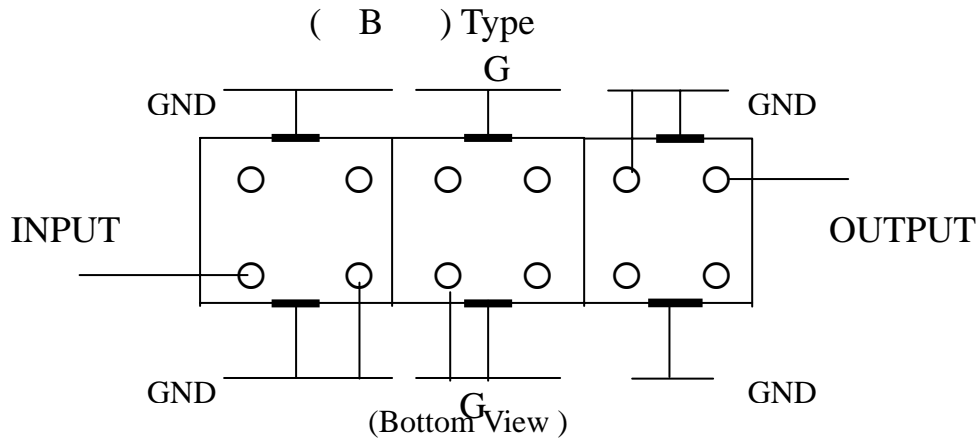
Customized UHF SHF Filter & Miniature Duplexer

# VHF UHF Helical Filter Specification Sheet

Issued Dated :

Customer Name		Temwell's Part No.	TT67528B-436M
Approval No. /dated	20307030DC	Customer Print Name	TT67528B 436M
Work Instruction No.	20307030DC	Date	July.17.2003
<input type="checkbox"/> Buyer Print name		<input type="checkbox"/> Temwell,s print name	
Case Name	7H3S	Case size : ( mm)	
Terminator Type	B		

\* Pin Position (Pin Connection) diagram as following



### (3) Electric Character

Item	Specify
Center Freq.(Fo ) +/- 0.5 %	436 MHz
Insertion Loss	Typ. 1.5 dB
-3 dB Bandwidth	Typ. 65 MHz
Sensitivity (Attenuation )	Fo -100 MHz Typ. 36 dBc
	Fo +100 MHz Typ. 25 dBc
	Fo - ( )MHz Typ. dBc
	Fo +( )MHz Typ. dBc
Return Loss	Min. 12 dB
Ripple	< 1 dB
Impedance	In / Out : 50 Ω

### 4. Temperature Condition:

Operating Temperature	0 ~ +60
Storage Temperature	-20 ~ +70

Approval	Supervisor	Designer	Aperture size
C.Y.Chang	C.S.Chang	P.H.Ching	7H3S(4*8.0) 7H046LB6

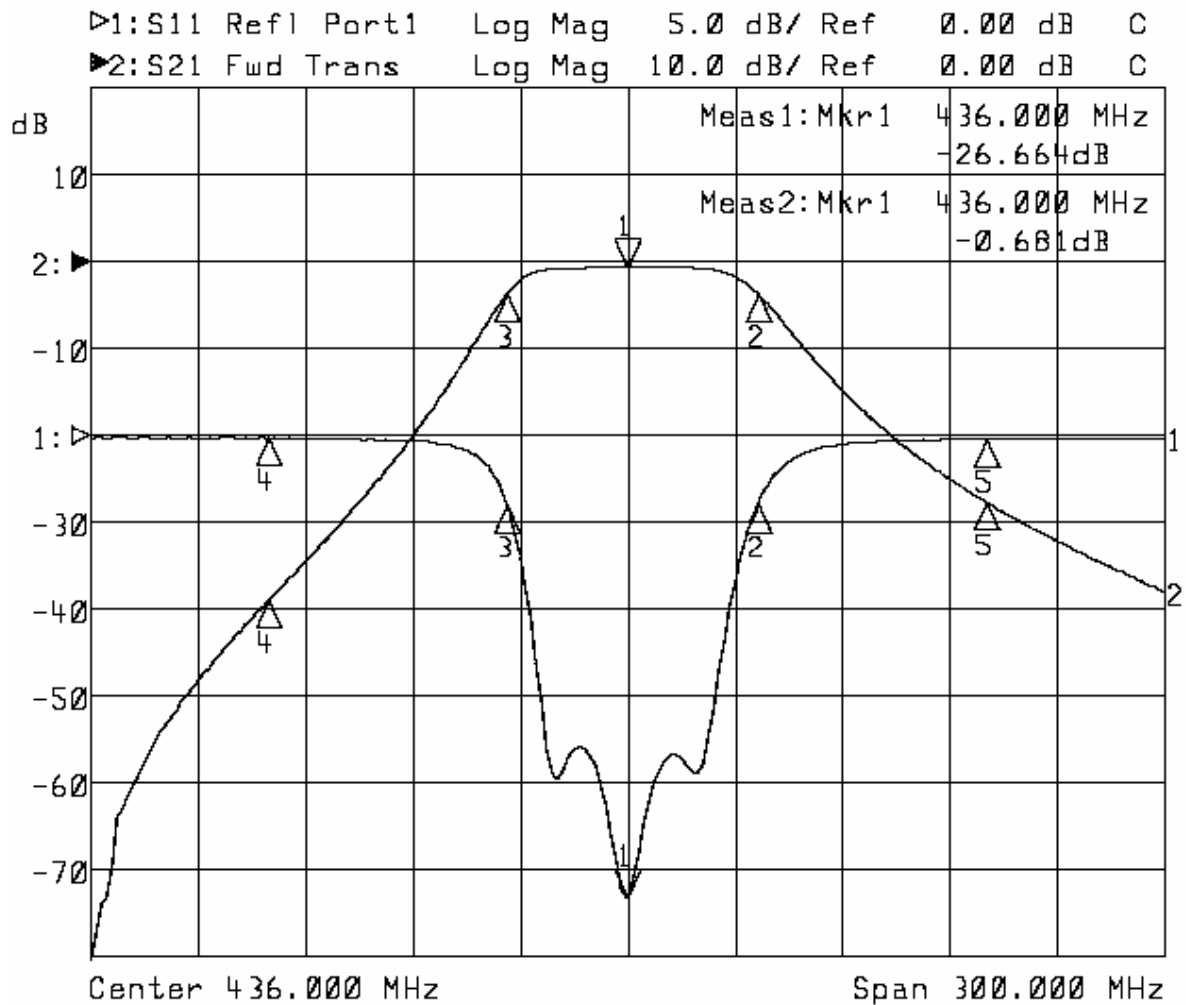
TEMWELL CORPORATION

TEMWELL

Form11-7H3B Vession C

# Performance-TT67528B-436M

## 20307030DC



1: Mkr (MHz)	dB	2: Mkr (MHz)	dB
1> 436.0000	-26.664	1> 436.0000	-0.681
2: 472.3000	-3.941	2: 472.3000	-3.658
3: 402.4000	-4.002	3: 402.4000	-3.692
4: 336.0000	-0.167	4: 336.0000	-38.926
5: 536.0000	-0.235	5: 536.0000	-27.642