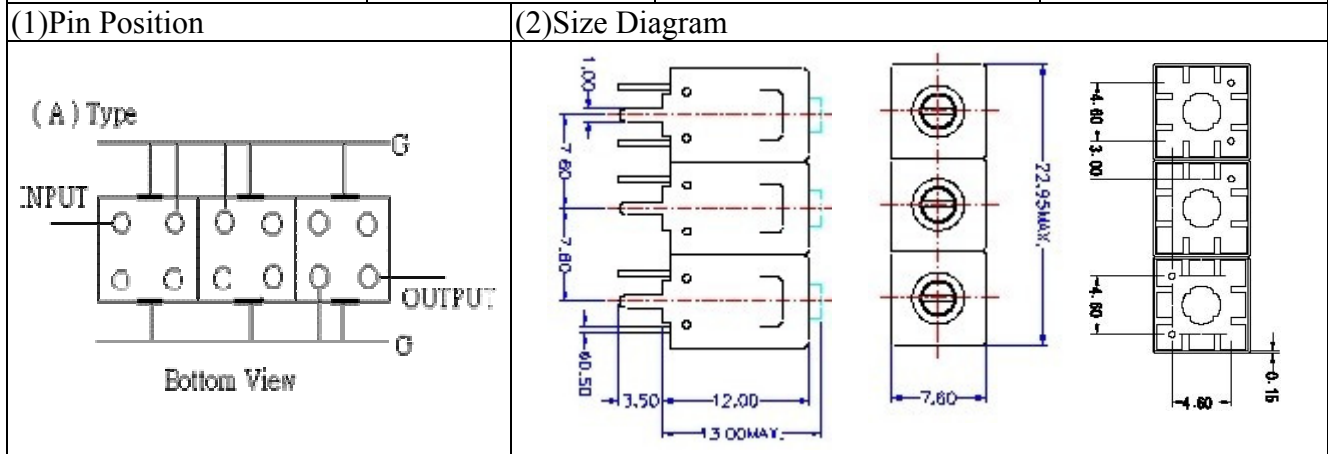
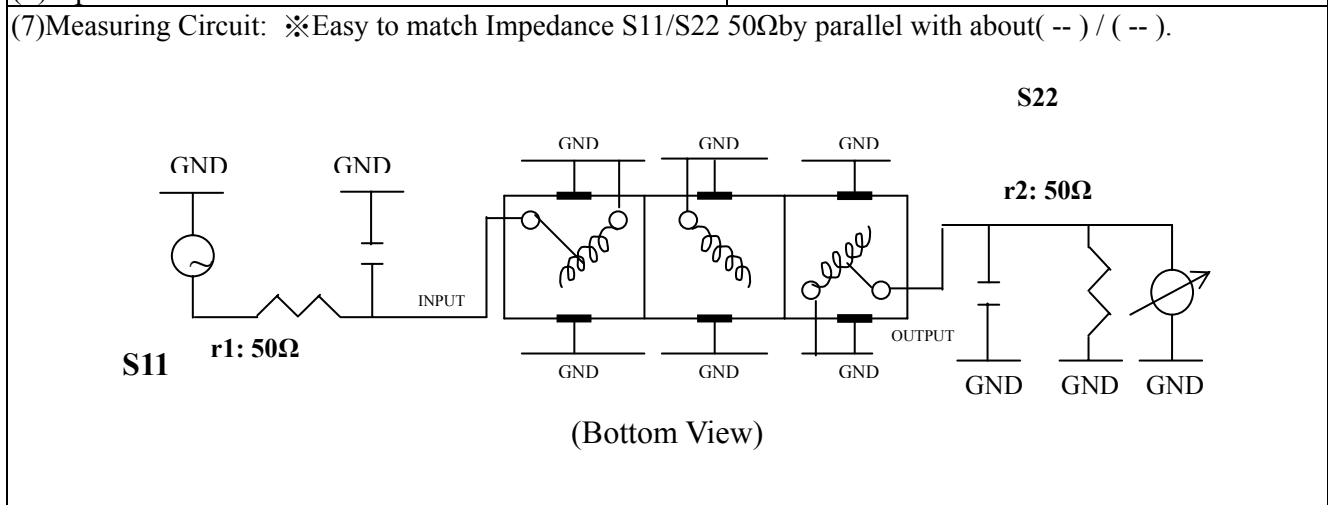


# VHF UHF Helical Filter Specification Sheet

Customer Name		Temwell's Part No.	TT67469A-1066M
Approval No. /dated		Temwell's Print Name.	67469A 1066M
Work Instruction No.	201111116CD	Date	Nov.25.2011



(3) Electric Charasteric		Item	Specify
		Center Freq.(Fo ) +/- 0.5 %	1066 MHz
		Insertion Loss	Typ. 3.0 dB
		-3 dB Bandwidth	Typ. 40 MHz
Sensitivity (Attenuation)	Fo - 100 MHz	Typ. 39	dBc
	Fo + 100 MHz	Typ. 24	dBc
	Fo - ( )MHz	Typ.	dBc
	Fo +( )MHz	Typ.	dBc
Return Loss		Min. 12	dB
Ripple		< 1	dB
Impedance		In / Out : 50 Ω	
(4) Torque for Tuning Screw		> 60gf · cm	
(5) Temperature Condition:			
Operating Temperature		0°C ~ +60°C	
Storage Temperature		-20°C ~ +70°C	
(6) Input Power		> 1Watt	



Approval C.Y.Chang	Supervisor C.K.Chang	Designer C.S.Chang	Aperture size 7H3S(4*6.5)(6.62) 7H046LB5
TEMWELL CORPORATION			

# Performance-TT67469A-1066M

## 20111116CD

