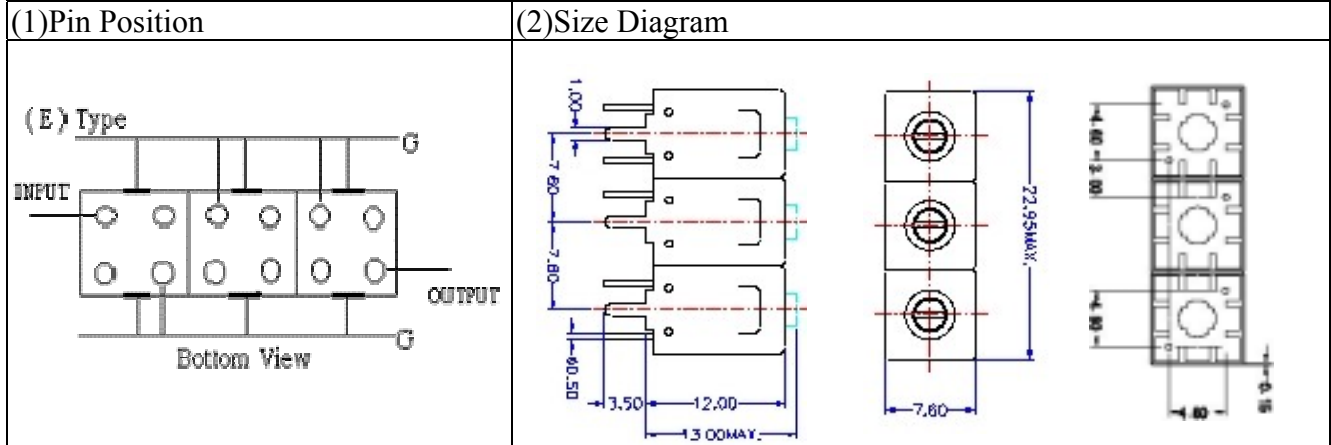
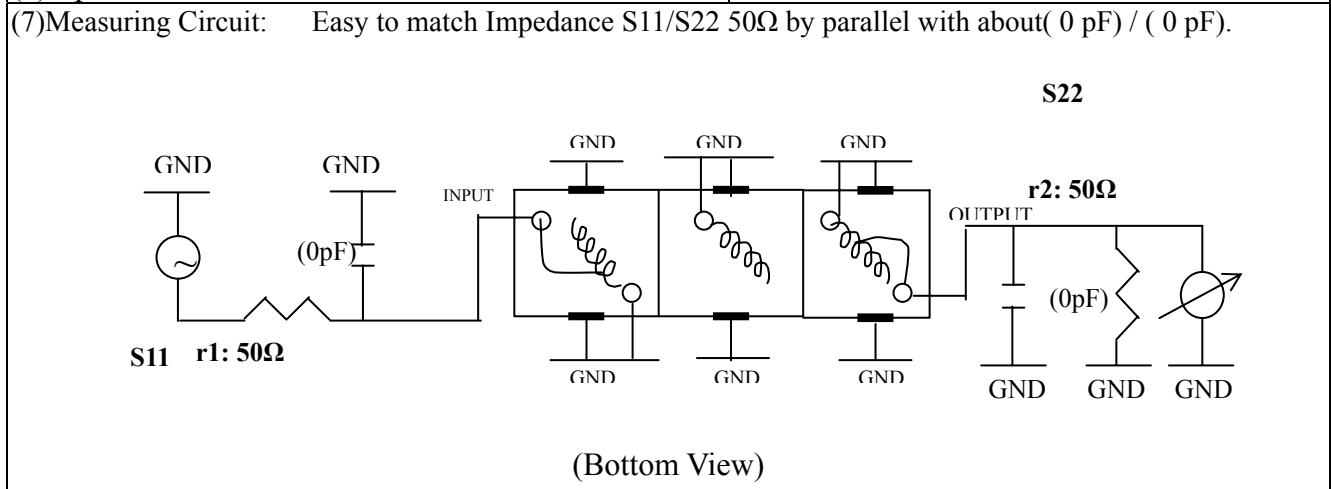


VHF UHF Helical Filter Specification Sheet

Customer Name		Temwell's Part No.	TT67450E-836.5M
Approval No. /dated	0809059C	Customer's Part No.	67450E 836.5M
Work Instruction No.	200809059C	Date	Sep.30.2008



(3) Electric Characteristic			
Item		Specify	
Center Freq.(Fo) +/- 0.5 %		836.5	MHz
Tunable Range:		836.5±10	MHz
Insertion Loss		Typ. 2.5	dB
-1 dB Bandwidth		Typ. 23	MHz
-3 dB Bandwidth		Typ. 32	MHz
Sensitivity (Attenuation)	Fo - (50) MHz	Typ. 22	dBc
	Fo +(50) MHz	Typ. 25	dBc
	Fo - ()MHz	Typ.	dBc
	Fo +()MHz	Typ.	dBc
Return Loss		Min. 12	dB
Ripple		< 1	dB
Impedance		In / Out : 50 Ω	
(4) Torque for Tuning Screw > 100gf cm			
(5) Temperature Condition:			
Operating Temperature		0 ~ +60	
Storage Temperature		-20 ~ +70	
(6) Input Power > 1Watt			



Approval	Supervisor	Designer	Aperture size
C.Y.Chang	C.S.Chang	Y.H.Yeh	7H3S(4*6.5F) 7H046LB4 聚 3

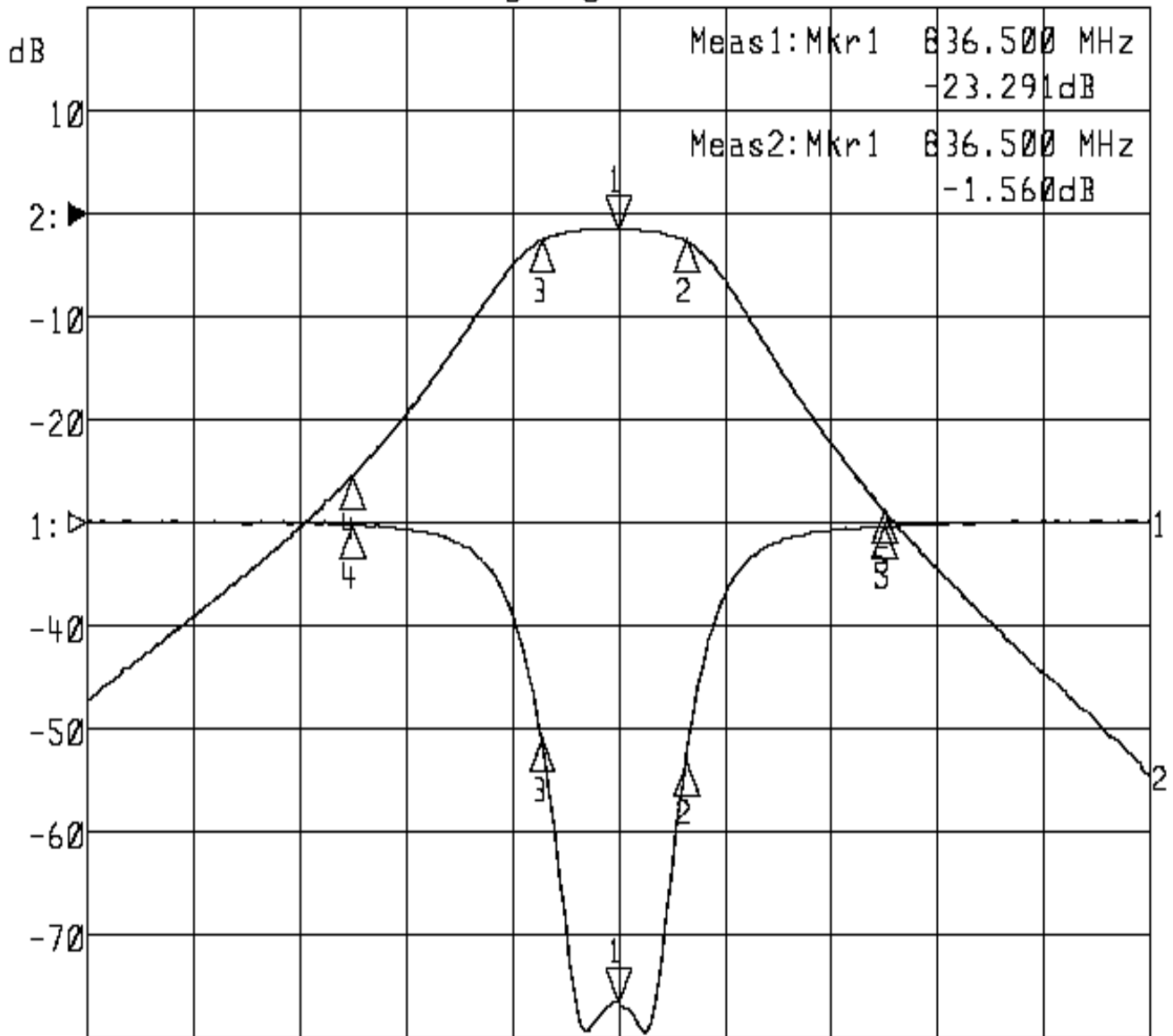
TEMWELL CORPORATION

Performance-TT67450E-836.5M

200809059C

▶1:S11 Refl Port1 Log Mag 5.0 dB/ Ref 0.00 dB C

▶2:S21 Fwd Trans Log Mag 10.0 dB/ Ref 0.00 dB C



Center 836.500 MHz

Span 200.000 MHz

1: Mkr (MHz)	dB	2: Mkr (MHz)	dB
1> 836.5000	-23.291	1> 836.5000	-1.560
2: 849.1000	-11.581	2: 849.1000	-2.581
3: 822.0333	-10.453	3: 822.0333	-2.582
4: 786.5000	-0.082	4: 786.5000	-25.389
5: 886.5000	-0.184	5: 886.5000	-28.767