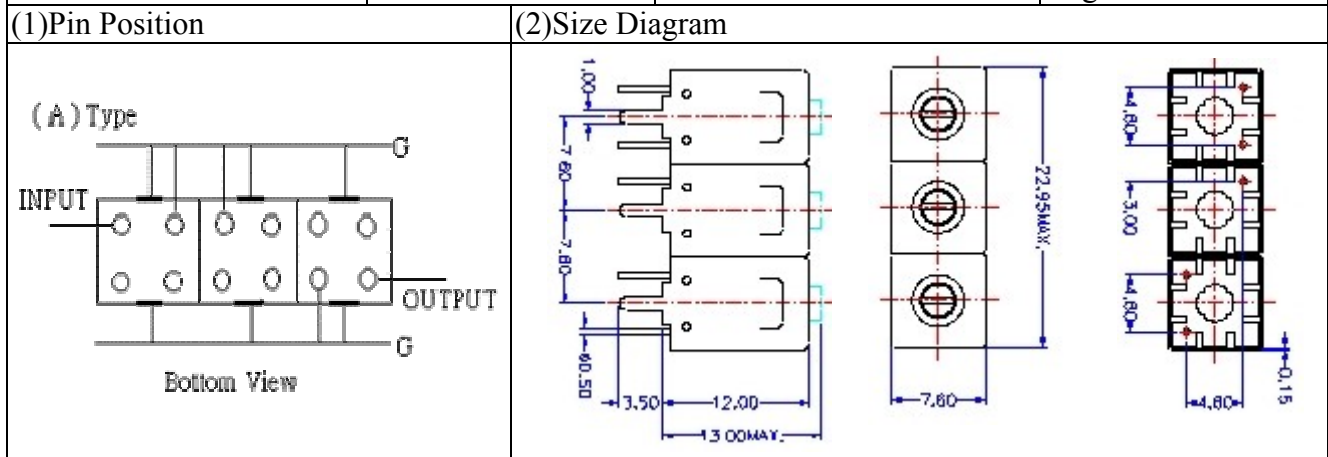
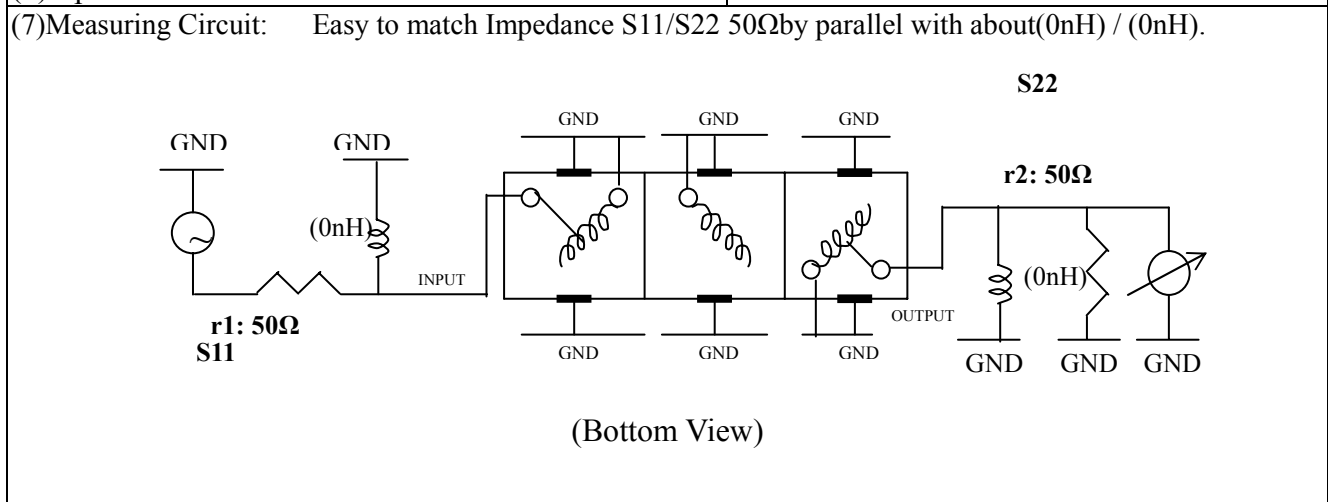


VHF UHF Helical Filter Specification Sheet

Customer Name		Temwell's Part No.	TT67414A-918M
Approval No. /dated	0607057APR	Temwell,s print name	67414A 918M
Work Instruction No.	0607057C	Date	Aug.03.2006



(3)Electric Charasteric		Item	Specify
		Center Freq.(Fo) +/- 0.5 %	918 MHz
		Tunable Range:	918±5 MHz
		Insertion Loss	Typ. 2.0 dB
		-3 dB Bandwidth	Typ. 65 MHz
Sensitivity (Attenuation)	Fo - 80 MHz	Typ. 26	dBc
	Fo + 80 MHz	Typ. 15	dBc
	Fo - ()MHz	Typ.	dBc
	Fo +()MHz	Typ.	dBc
		Return Loss	Min. 12 dB
		Ripple	< 1 dB
		Impedance	In / Out : 50 Ω
(4)Torque for Tuning Screw		> 100gf cm	
(5)Temperature Condition:			
Operating Temperature		0 ~ +60	
Storage Temperature		-20 ~ +70	
(6)Input Power		> 1Watt	



Approval	Supervisor	Designer	Aperture size
C.Y.Chang	C.S.Chang	K.M.Yin	7H2S(4*8.0) 7H046LB5

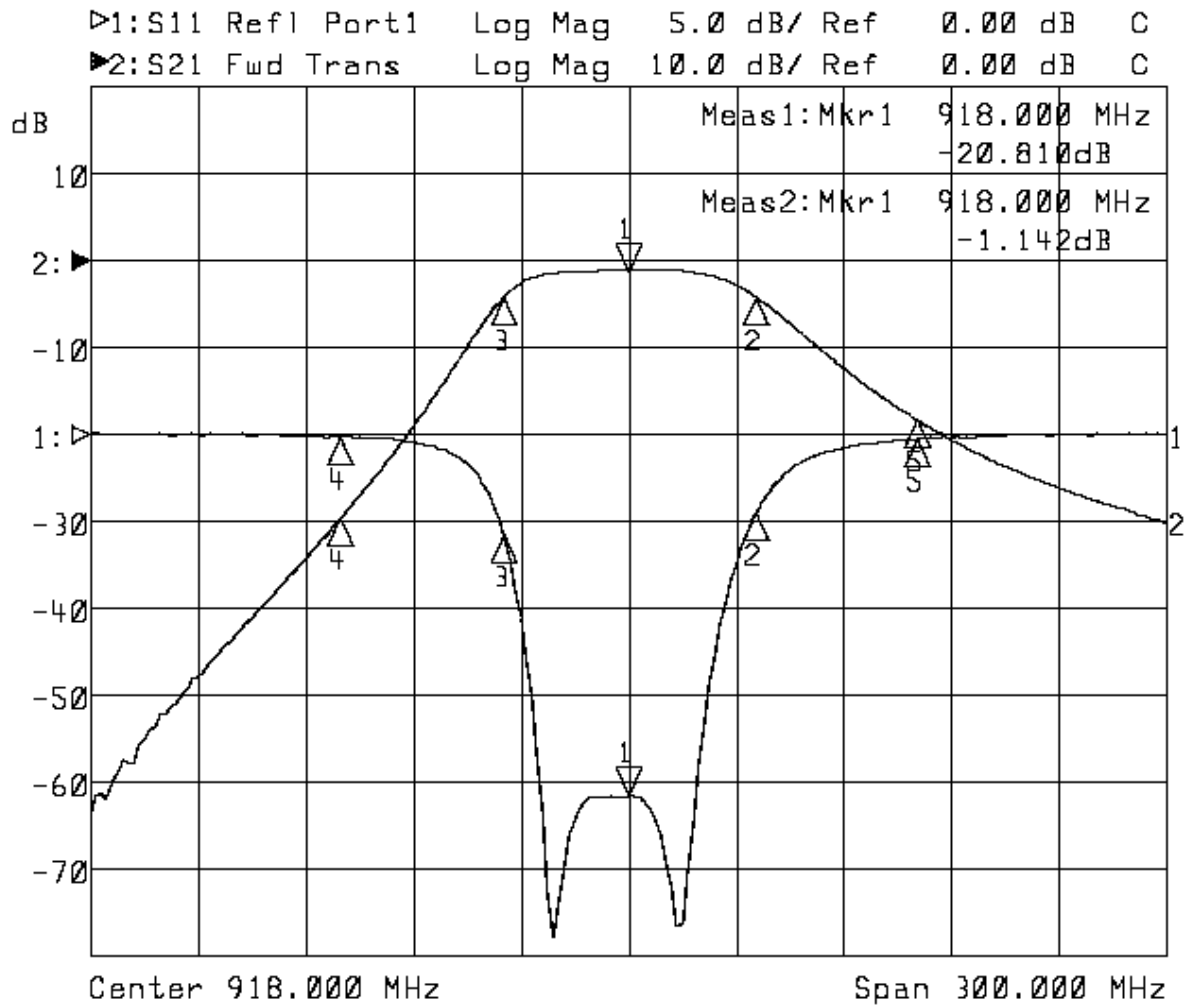
TEMWELL CORPORATION

TEMWELL

Form10-7H3A Vision D RP (K.M.Y)

Performance-TT67414A-918M

0607057C



1: Mkr (MHz)	dB	2: Mkr (MHz)	dB
1> 918.0000	-20.810	1> 918.0000	-1.142
2: 953.5000	-4.511	2: 953.5000	-4.149
3: 883.2000	-5.770	3: 883.2000	-4.147
4: 838.0000	-0.142	4: 838.0000	-29.529
5: 998.0000	-0.291	5: 998.0000	-18.204