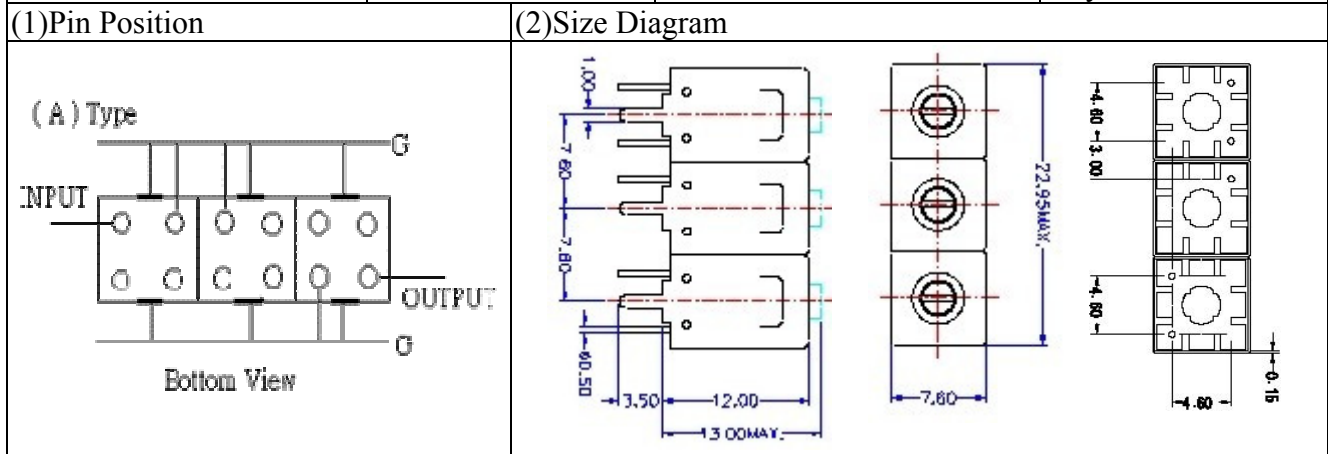
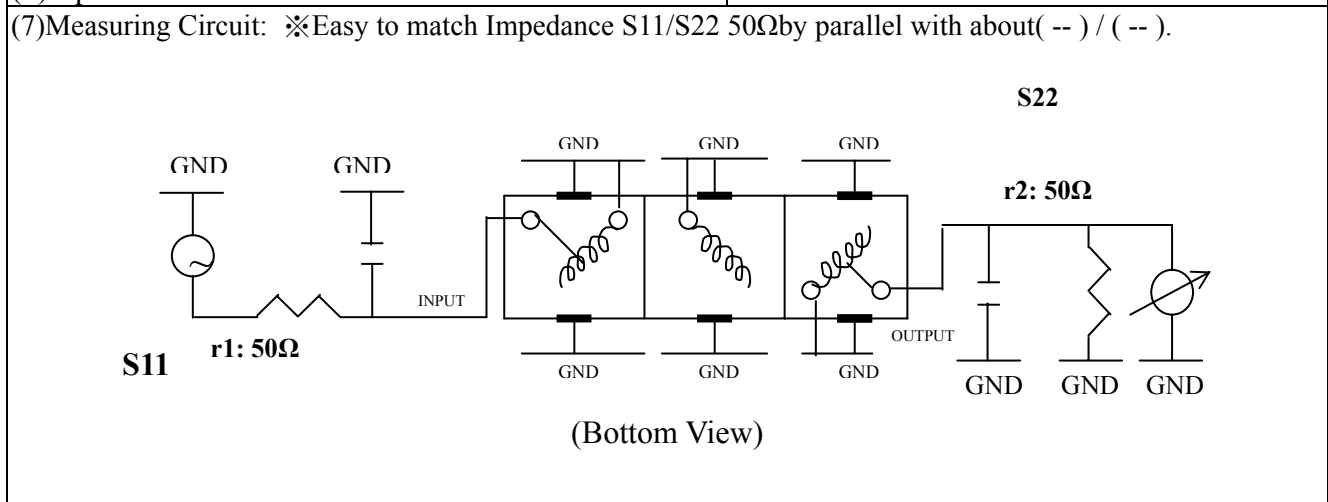


VHF UHF Helical Filter Specification Sheet

Customer Name		Temwell's Part No.	TT67377A-160M
Approval No. /dated		Temwell's Print Name.	67377A 160M
Work Instruction No.	201205065B	Date	May.24.2012



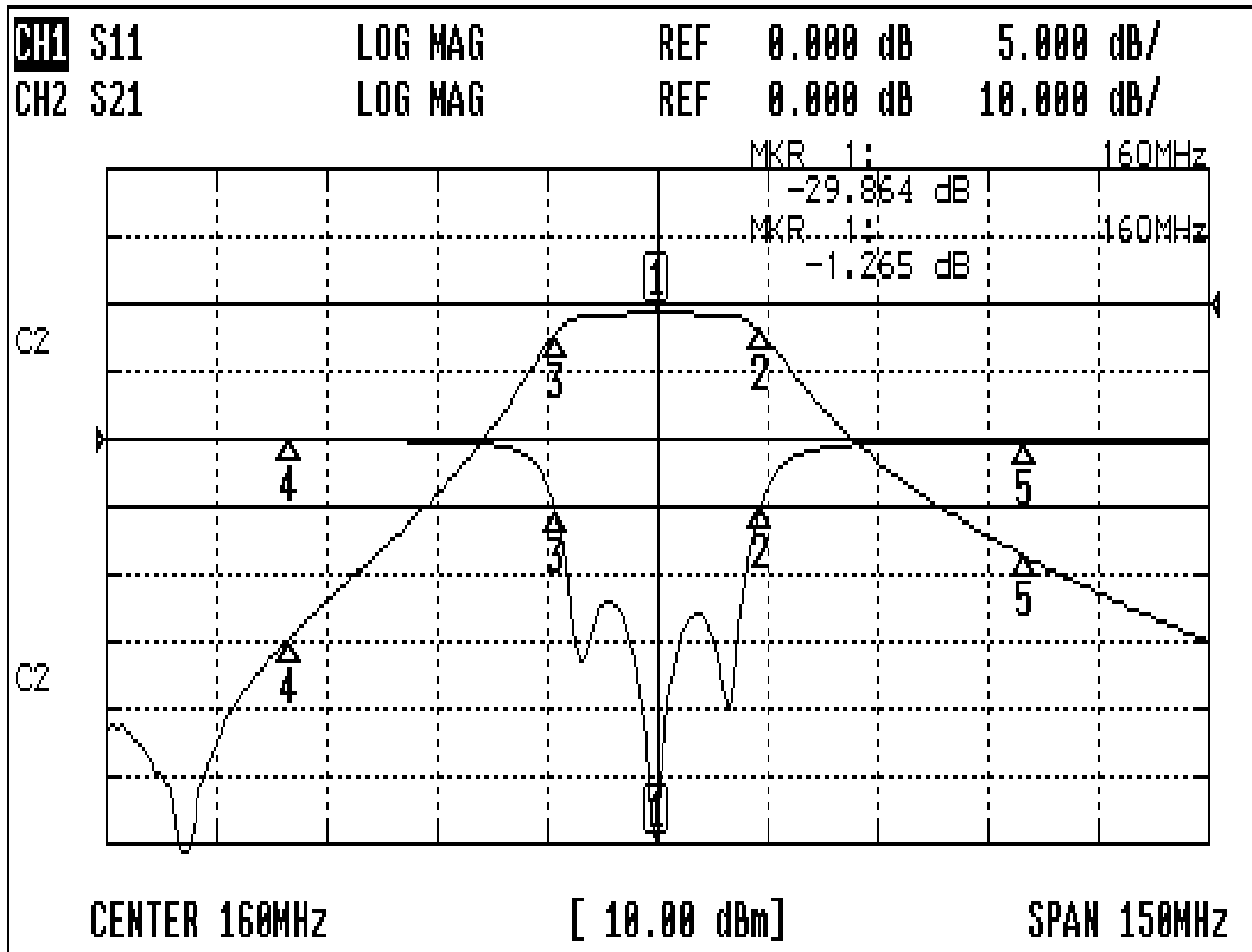
(3) Electric Charasteric		Item	Specify
Center Freq.(Fo) +/- 0.5 %			160 MHz
Insertion Loss		Typ.	4.5 dB
-3 dB Bandwidth		Typ.	26 MHz
Sensitivity (Attenuation)	Fo - 50 MHz	Typ.	43 dBc
	Fo + 50 MHz	Typ.	33 dBc
	Fo - ()MHz	Typ.	dBc
	Fo +()MHz	Typ.	dBc
Return Loss		Min.	12 dB
Ripple			< 1 dB
Impedance			In / Out : 50 Ω
(4) Torque for Tuning Screw			> 60gf · cm
(5) Temperature Condition:			
Operating Temperature			0°C ~ +60°C
Storage Temperature			-20°C ~ +70°C
(6) Input Power			> 1Watt



Approval C.Y.Chang	Supervisor C.K.Chang	Designer F.L.Lai	Aperture size 7H3S(4*5.5)(5.55) 7H024LB6.5
TEMWELL CORPORATION			

Performance-TT67377A-160M

201205065B



CH1 MARKER LIST

1:	160.000MHz	-29.885	dB
2:	174.125MHz	-1.016	dB
3:	146.250MHz	-1.355	dB
4:	110.000MHz	-0.106	dB
5:	210.000MHz	-0.237	dB

CH2 MARKER LIST

1:	160.000MHz	-1.264	dB
2:	174.125MHz	-4.220	dB
3:	146.250MHz	-4.283	dB
4:	110.000MHz	-49.431	dB
5:	210.000MHz	-37.361	dB