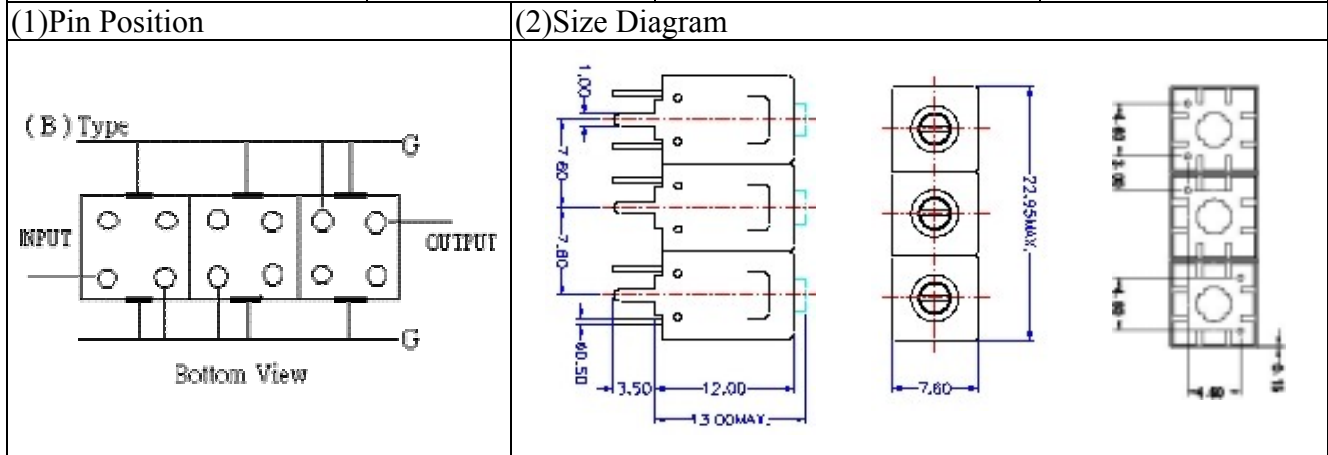


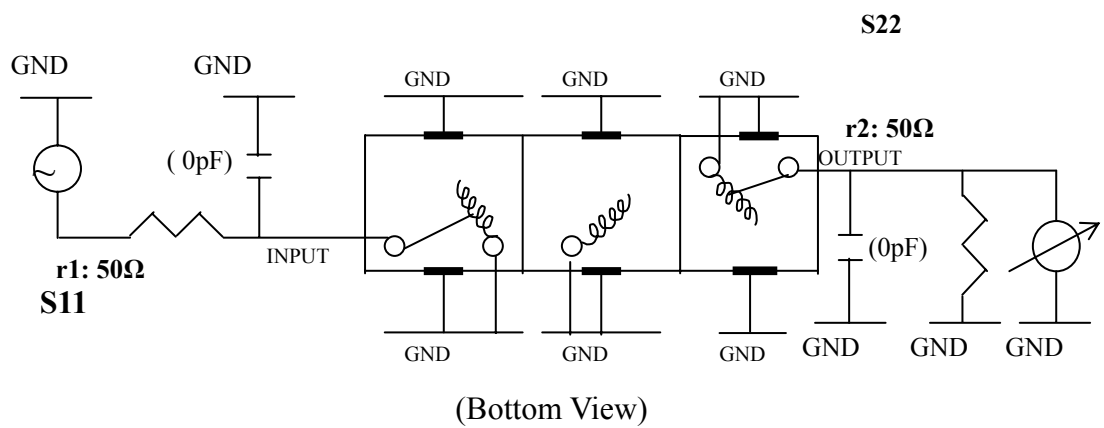
# VHF UHF Helical Filter Specification Sheet

Customer Name		Temwell's Part No.	TT67361B-247M
Approval No. /dated	0809134CD	Temwell's Print name.	67361B 247M
Work Instruction No.	200809134CD	Date	Oct.02.2008



(3) Electric Characteristic	
Item	Specify
Center Freq.(Fo) +/- 0.5 %	247 MHz
Insertion Loss	Typ. 2.0 dB
-3 dB Bandwidth	Typ. 40 MHz
Sensitivity (Attenuation)	Fo - (50) MHz Typ. 18 dBc
	Fo + (50) MHz Typ. 13 dBc
	Fo - ( ) MHz Typ. dBc
	Fo + ( ) MHz Typ. dBc
Return Loss	Min. 12 dB
Ripple	< 1 dB
Impedance	In / Out : 50 Ω
(4) Torque for Tuning Screw	
> 100gf cm	
(5) Temperature Condition:	
Operating Temperature	0 ~ +60
Storage Temperature	-20 ~ +70
(6) Input Power	
> 1Watt	

(7) Measuring Circuit: Easy to match Impedance S11/S22 50Ω by parallel with about (0pF) / (0pF).

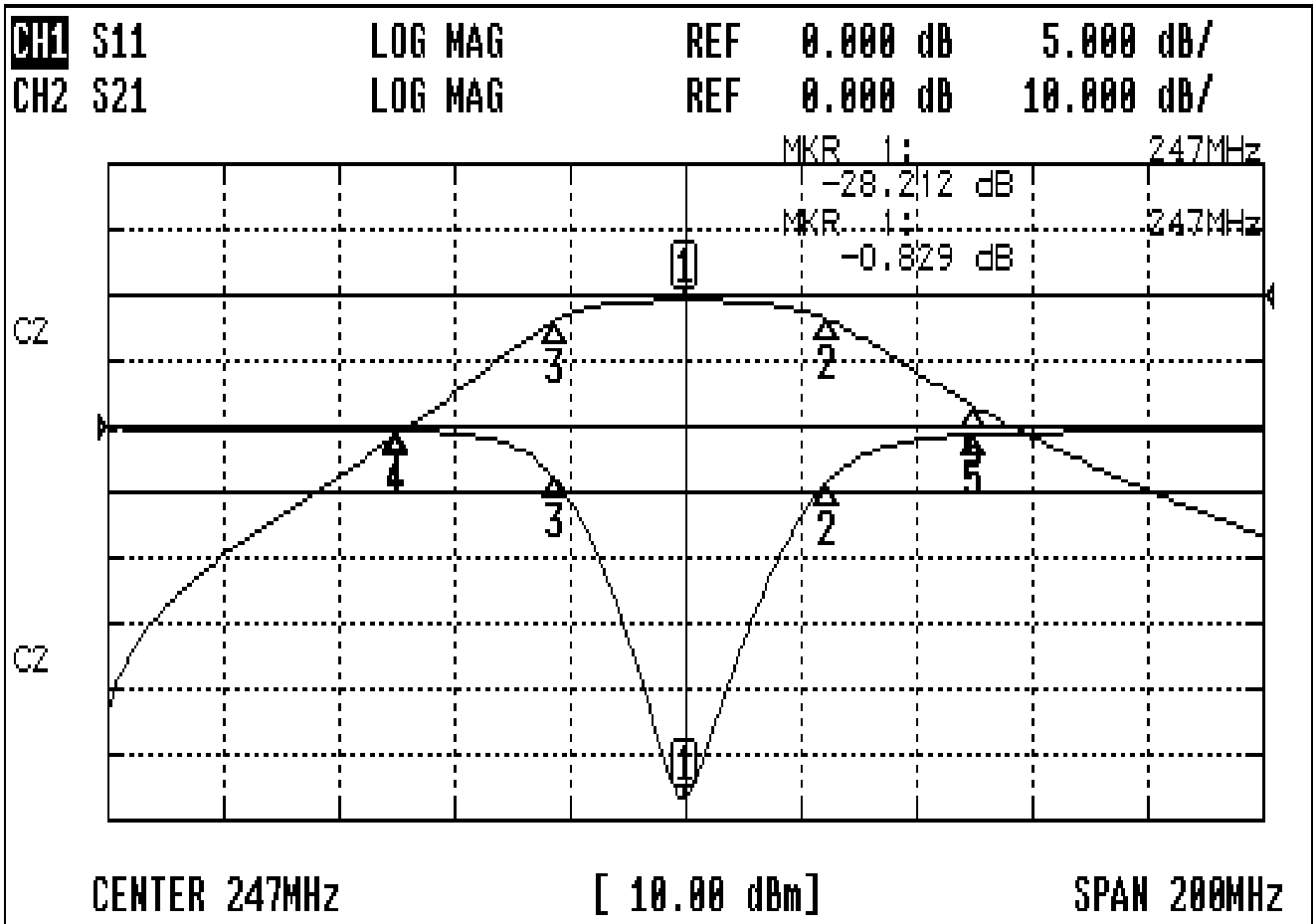


Approval	Supervisor	Designer	Aperture size
C.Y.Chang	C.S.Chang	P.H.Chiang	7H3S(4*6.5)F (7H00LB6)

TEMWELL CORPORATION

# Performance-TT67361B-247M

## 200809134CD



### CH1 MARKER LIST

1:	247.000MHz	-28.212	dB
2:	271.833MHz	-4.117	dB
3:	224.500MHz	-3.946	dB
4:	197.000MHz	-0.305	dB
5:	297.000MHz	-0.622	dB

### CH2 MARKER LIST

1:	247.000MHz	-0.829	dB
2:	271.833MHz	-3.058	dB
3:	224.500MHz	-3.074	dB
4:	197.000MHz	-21.373	dB
5:	297.000MHz	-16.860	dB