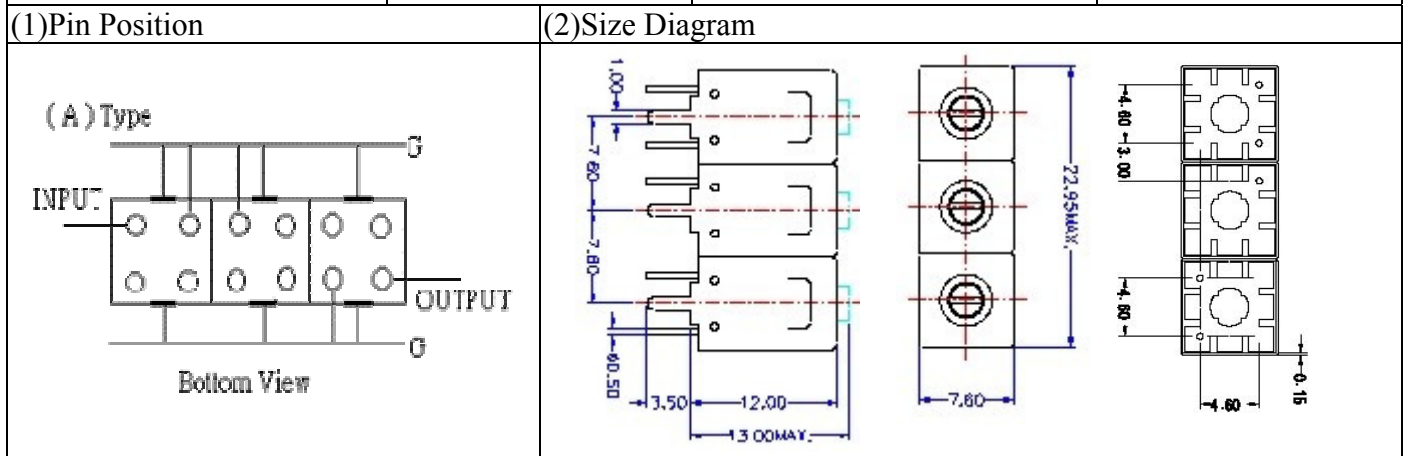


VHF UHF Helical Filter Specification Sheet

Customer Name		Temwell's Part No.	TT67297A-700M
Approval No. /dated	201406006CD	Temwell's Print Name.	67297A 700M
Work Instruction No.	201406006CD	Date	Jun.13.2014



(3) Electric Chararistic

Item	Specify	
Center Freq.(Fo) +/- 0.5 %	700	MHz
Insertion Loss	Typ. 2.0	dB
-3 dB Bandwidth	Typ. 35	MHz
Sensitivity (Attenuation)	Fo - 50 MHz	Typ. 27 dBc
	Fo + 50 MHz	Typ. 17 dBc
	Fo - ()MHz	Typ. dBc
	Fo +()MHz	Typ. dBc
Return Loss	Min. 12	dB
Ripple	< 1	dB
Impedance	In / Out : 50 Ω	

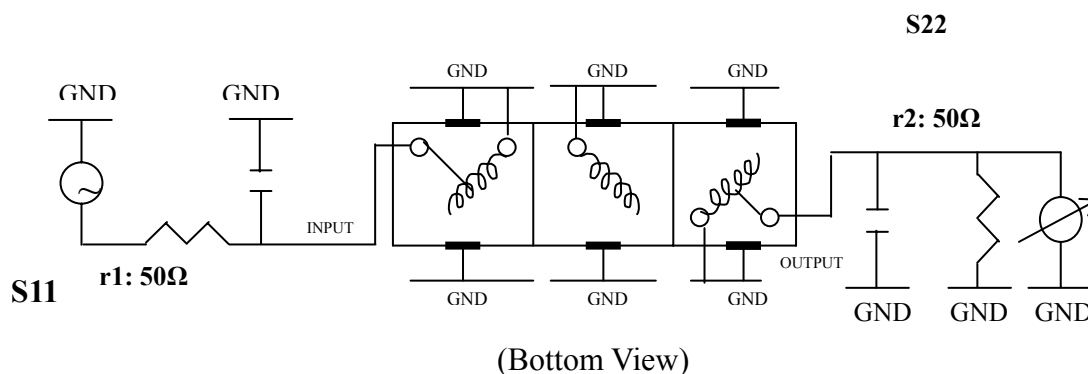
(4) Torque for Tuning Screw > 60gf · cm

(5) Temperature Condition:

Operating Temperature	0°C ~ +60°C
Storage Temperature	-20°C ~ +70°C

(6) Input Power > 1Watt

(7) Measuring Circuit: ※Easy to match Impedance S11/S22 50Ω by parallel with about(--) / (--).



Approval C.Y.Chang	Supervisor C.K.Chang	Designer F.L.Lai	Aperture size 7H3S(4*8.0)(8.04) 7H046LB4.3 聚 3
-----------------------	-------------------------	---------------------	--

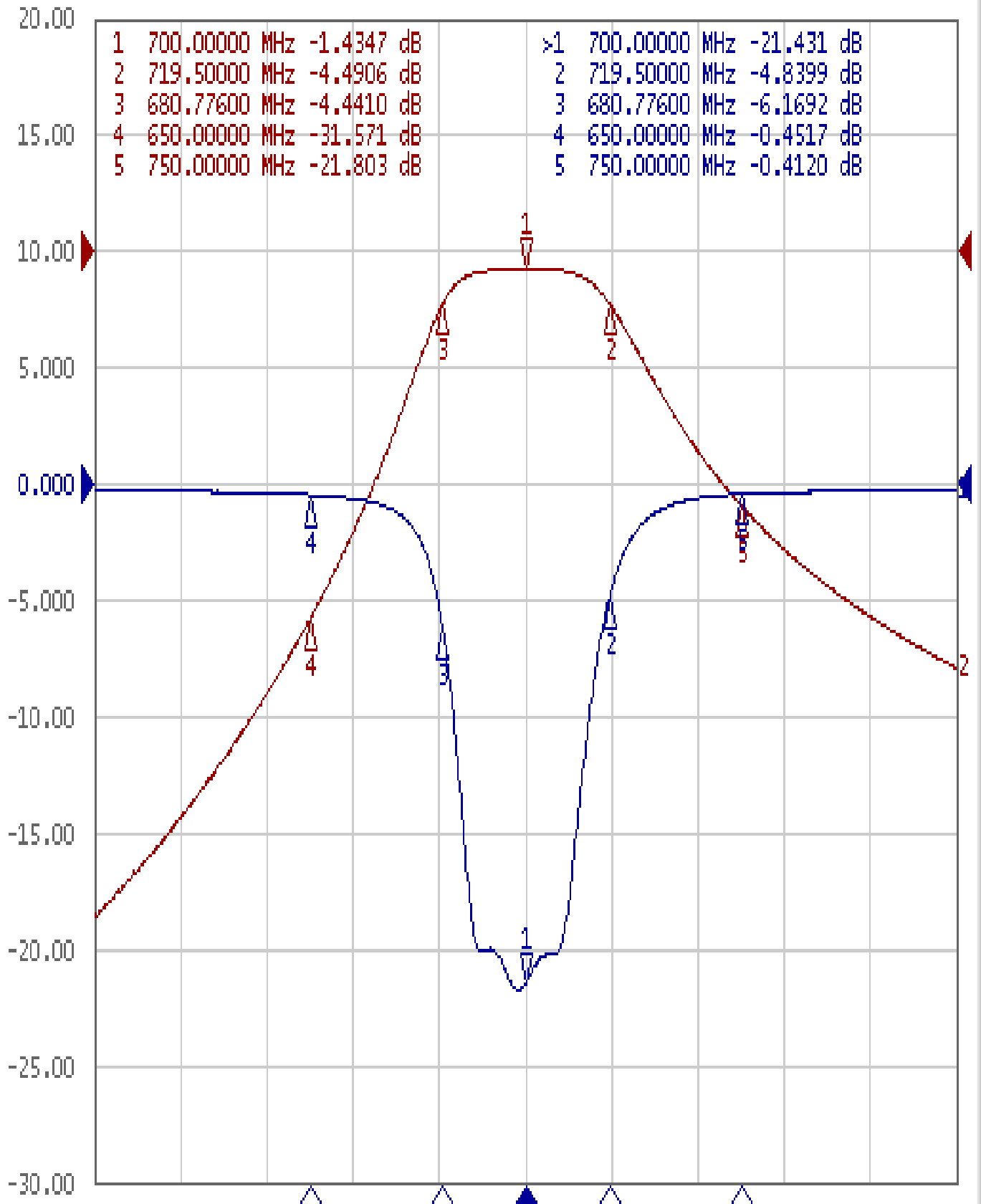
TEMWELL CORPORATION

Performance-TT67297A-700M

201406006CD

▶ Tr1 S11 Log Mag 5.000dB/ Ref 0.000dB [F2]

Tr2 S21 Log Mag 10.00dB/ Ref 0.000dB [F2]



1 Center 700 MHz

IFBW 10 kHz

Span 200 MHz

Cor !