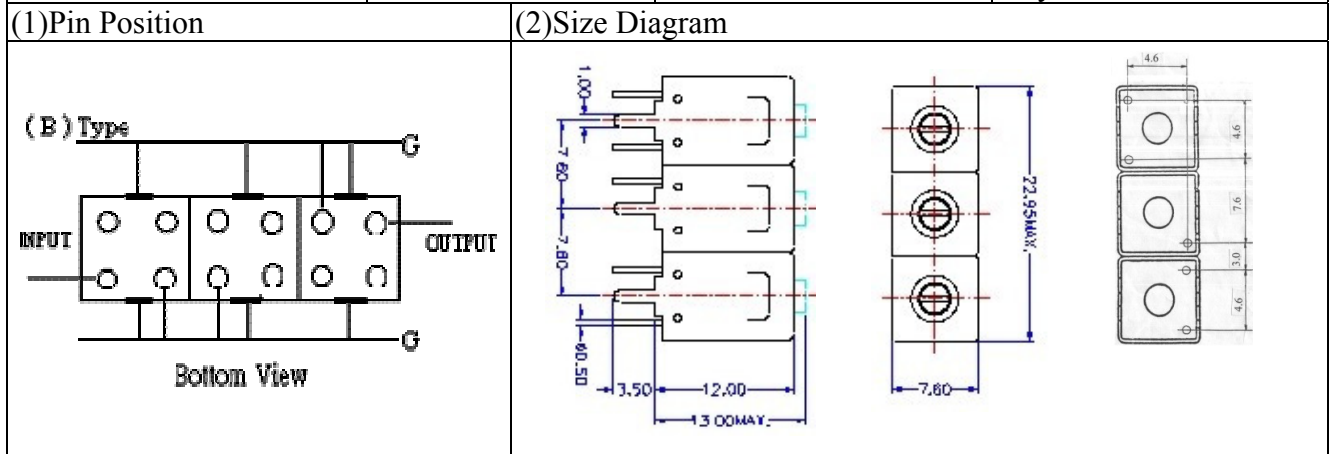
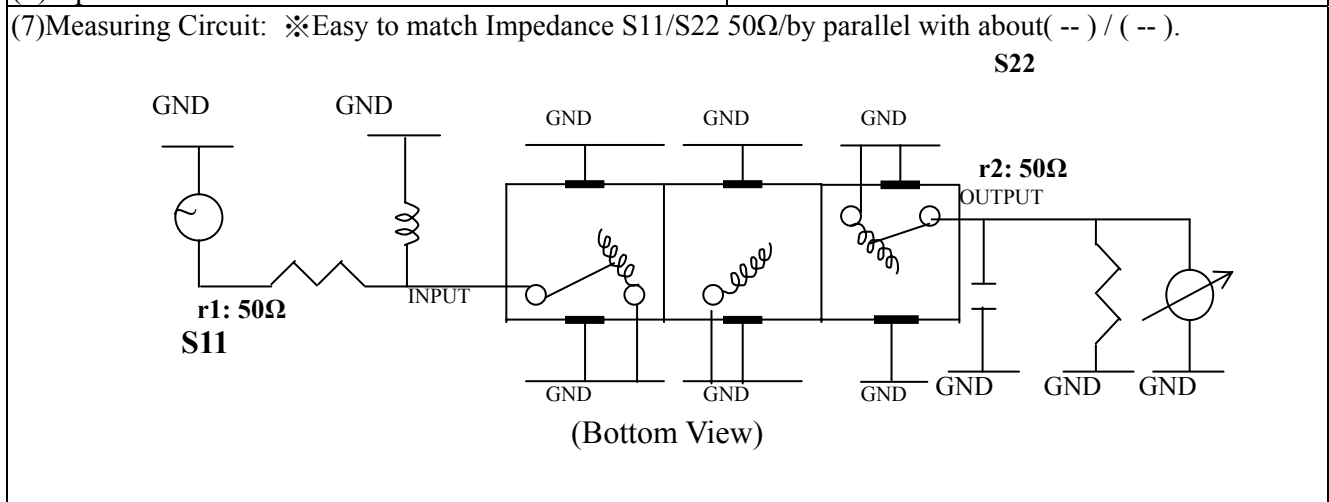


# VHF UHF Helical Filter Specification Sheet

Customer Name		Temwell's Part No.	TT67294B-413M
Approval No. /dated		Temwell's print name	67294B 413M
Work Instruction No.	201205018BD	Date	May.04.2012



(3) Electric Character	
Item	Specify
Center Freq.(Fo ) +/- 0.5 %	413 MHz
Insertion Loss	Typ. 2.5 dB
-3 dB Bandwidth	Typ. 27 MHz
Sensitivity (Attenuation )	Fo - 100 MHz Typ. 60 dBc
	Fo + 100 MHz Typ. 45 dBc
	Fo - ( )MHz Typ. dBc
	Fo +( )MHz Typ. dBc
Return Loss	Min. 12 dB
Ripple	< 1 dB
Impedance	In / Out : 50 Ω
(4) Torque for Tuning Screw	> 60gf · cm
(5) Temperature Condition:	
Operating Temperature	0°C ~ +60°C
Storage Temperature	-20°C ~ +70°C
(6) Input Power	> 1Watt



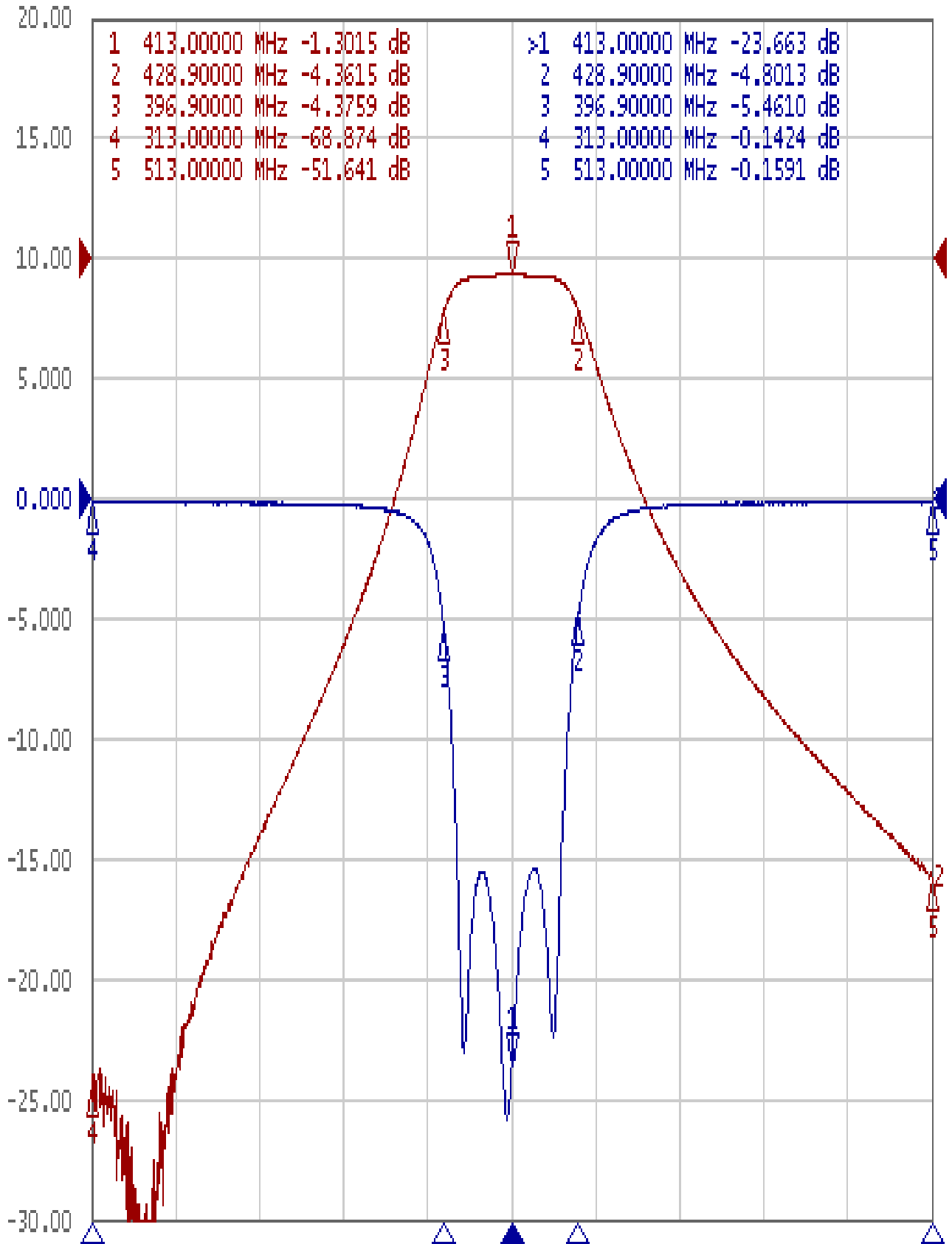
Approval C.Y.Chang	Supervisor C.K.Chang	Designer F.L.Lai	Aperture size 7H3S(4*8.0)(8.03) 7H046LB4.3 聚 3
-----------------------	-------------------------	---------------------	--

TEMWELL CORPORATION

# Performance-TT67294B-413M

## 201205018BD

▶ Tr1 S11 Log Mag 5.000dB/ Ref 0.000dB [F2]  
Tr2 S21 Log Mag 10.00dB/ Ref 0.000dB [F2]



1 Center 413 MHz      IFBW 70 kHz      Span 200 MHz      Cor !