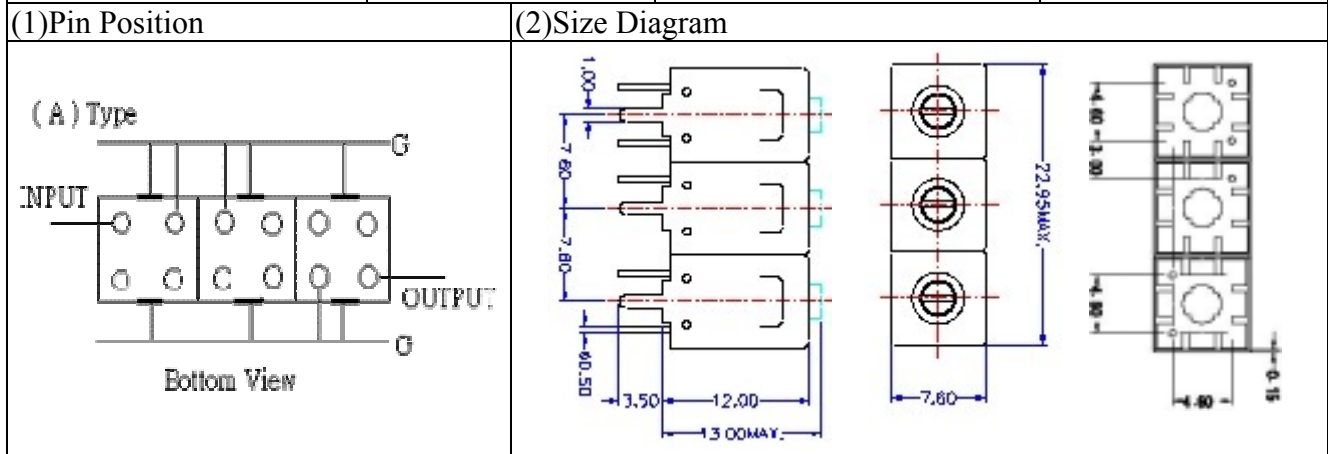
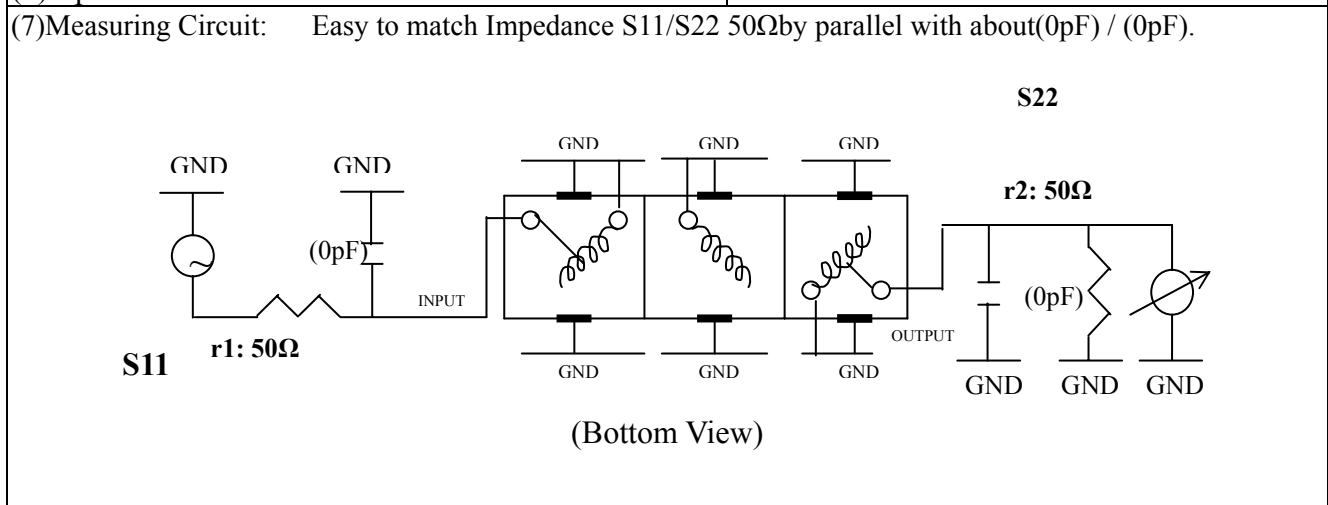


VHF UHF Helical Filter Specification Sheet

Customer Name		Temwell's Part No.	TT67248A-915M
Approval No. /dated		Customer's Print Name.	67248A 915M
Work Instruction No.	200902004A	Date	Feb.27.2009



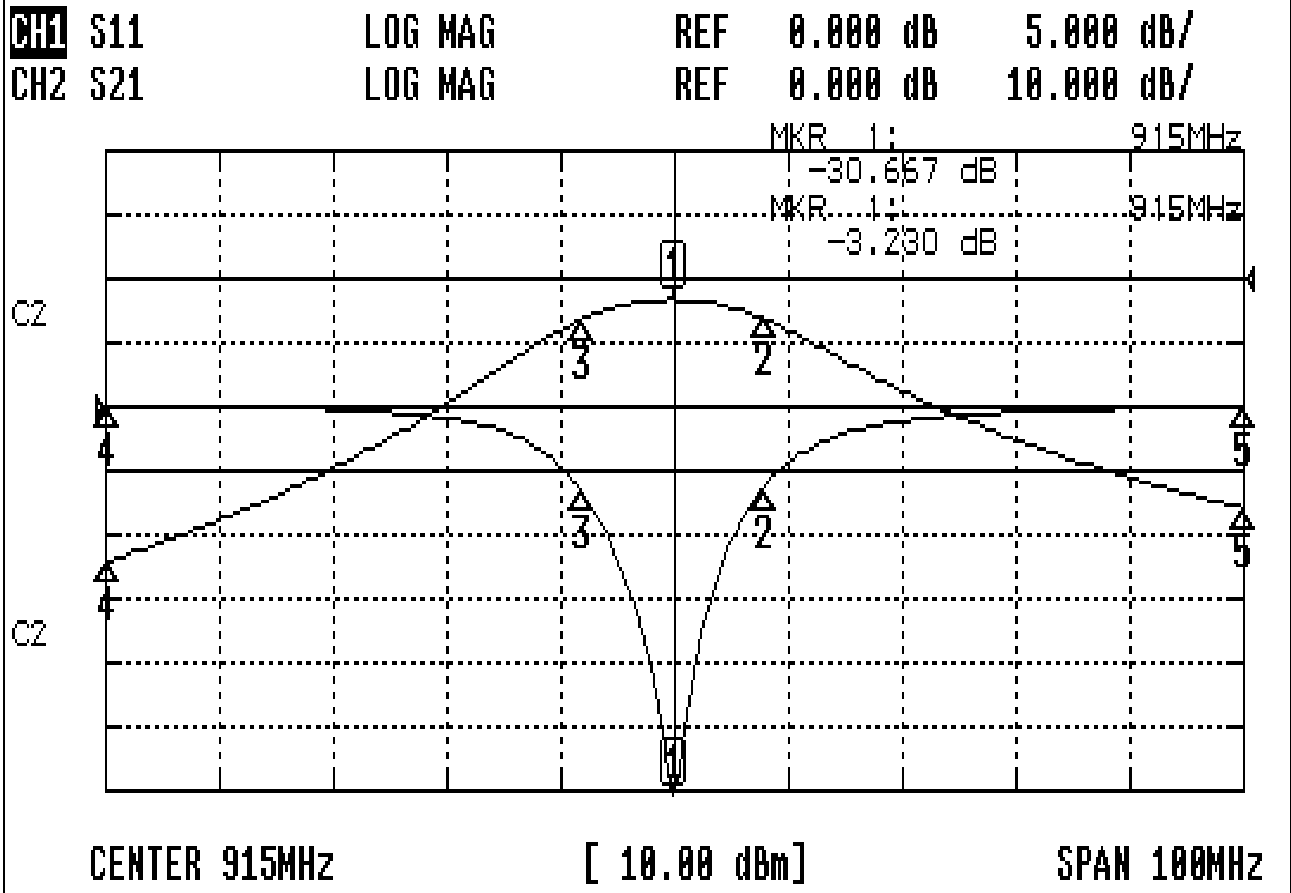
(3) Electric Charasteric		Item	Specify
		Center Freq.(Fo) +/- 0.5 %	915 MHz
		Insertion Loss	Typ. 4.5 dB
		-3 dB Bandwidth	Typ. 10 MHz
Sensitivity (Attenuation)	Fo - 50 MHz	Typ. 40 dBc	
	Fo + 50 MHz	Typ. 30 dBc	
	Fo - ()MHz	Typ. dBc	
	Fo +()MHz	Typ. dBc	
Return Loss		Min. 12 dB	
Ripple		< 1 dB	
Impedance		In / Out : 50 Ω	
(4) Torque for Tuning Screw		> 100gf cm	
(5) Temperature Condition:			
Operating Temperature		0 ~ +60	
Storage Temperature		-20 ~ +70	
(6) Input Power		> 1Watt	



Approval C.Y.Chang	Supervisor C.S.Chang	Designer P.H.Chiang	Aperture size 7H3S(4*4.65)(4.68) 7H046LB4 聚 3
TEMWELL CORPORATION			

Performance-TT67248A-915M

200902004A



CH1 MARKER LIST

1:	915.000MHz	-30.667 dB
2:	922.916MHz	-6.223 dB
3:	906.916MHz	-6.664 dB
4:	865.000MHz	0.144 dB
5:	965.000MHz	0.022 dB
6:		
7:		
8:		
9:		
10:		

CH2 MARKER LIST

1:	915.000MHz	-3.230 dB
2:	922.916MHz	-6.278 dB
3:	906.916MHz	-6.237 dB
4:	865.000MHz	-44.288 dB
5:	965.000MHz	-35.789 dB
6:		
7:		
8:		
9:		
10:		