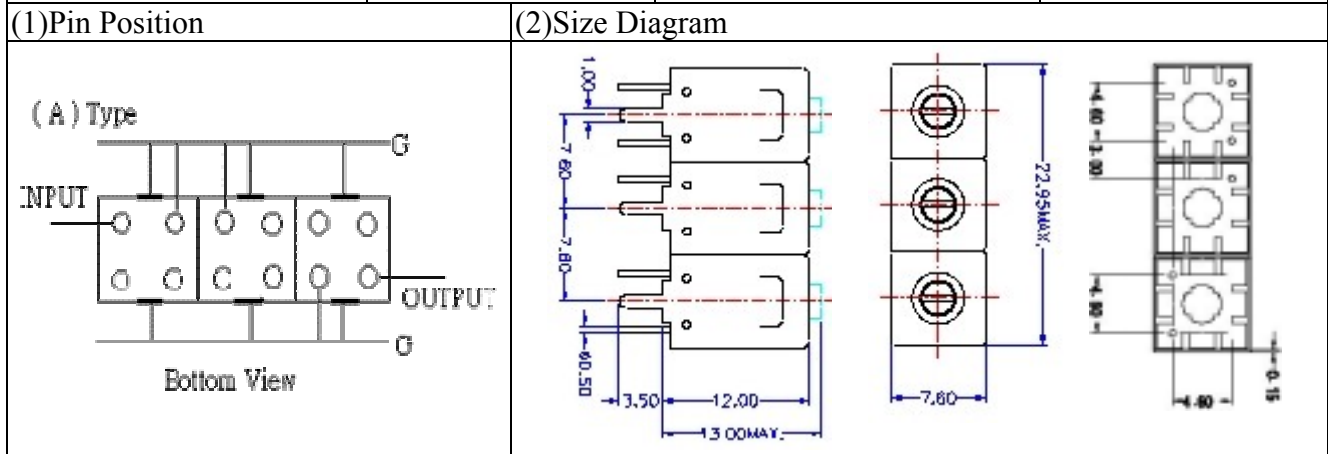


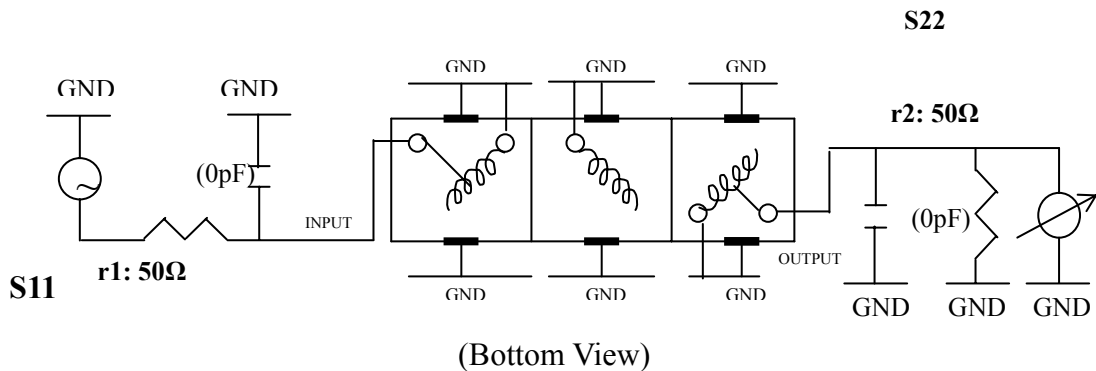
VHF UHF Helical Filter Specification Sheet

Customer Name		Temwell's Part No.	TT67204A-130M
Approval No. /dated	200901109C	Customer's Print Name.	67204A 130M
Work Instruction No.	200901109C	Date	Feb.10.2009



(3) Electric Charasteric		Item	Specify
Center Freq.(Fo) +/- 0.5 %			130 MHz
Tunable Range:			130±2 MHz
Insertion Loss		Typ.	4.0 dB
-3 dB Bandwidth		Typ.	7 MHz
Sensitivity (Attenuation)	Fo - 20 MHz	Typ.	47 dBc
	Fo + 20 MHz	Typ.	36 dBc
	Fo - ()MHz	Typ.	dBc
	Fo +()MHz	Typ.	dBc
Return Loss		Min.	12 dB
Ripple			< 1 dB
Impedance			In / Out : 50 Ω
(4) Torque for Tuning Screw			> 100gf cm
(5) Temperature Condition:			
Operating Temperature			0 ~ +60
Storage Temperature			-20 ~ +70
(6) Input Power			> 1Watt

(7) Measuring Circuit: Easy to match Impedance S11/S22 50Ω by parallel with about(0pF) / (0pF).

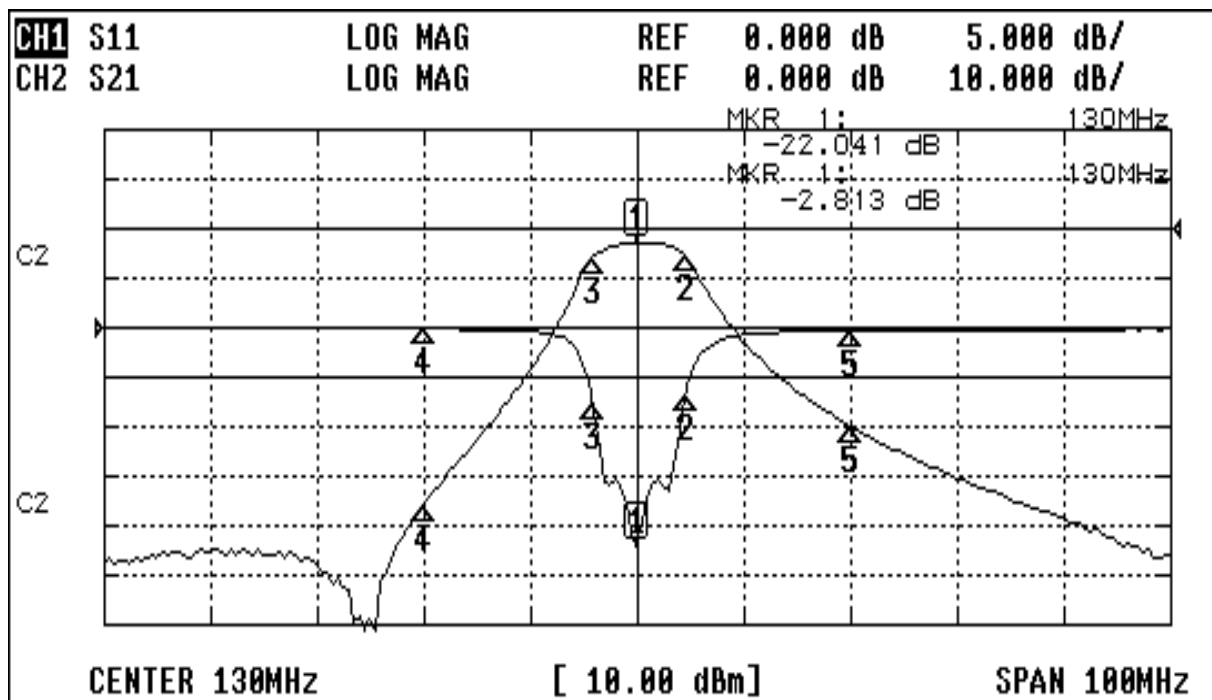


Approval	Supervisor	Designer	Aperture size
C.Y.Chang	C.S.Chang	P.H.Chiang	7H3S(4*6.5)F(6.58) 7H00LB4

TEMWELL CORPORATION

Performance-TT67204A-130M

200901109C



CH1 MARKER LIST

1	130.000MHz	-22.026 dB
2	134.583MHz	-6.746 dB
3	125.916MHz	-7.821 dB
4	110.000MHz	-0.125 dB
5	150.000MHz	-0.268 dB

CH2 MARKER LIST

1	130.000MHz	-2.813 dB
2	134.583MHz	-1.811 dB
3	125.916MHz	-5.023 dB
4	110.000MHz	-5.678 dB
5	150.000MHz	-39.850 dB