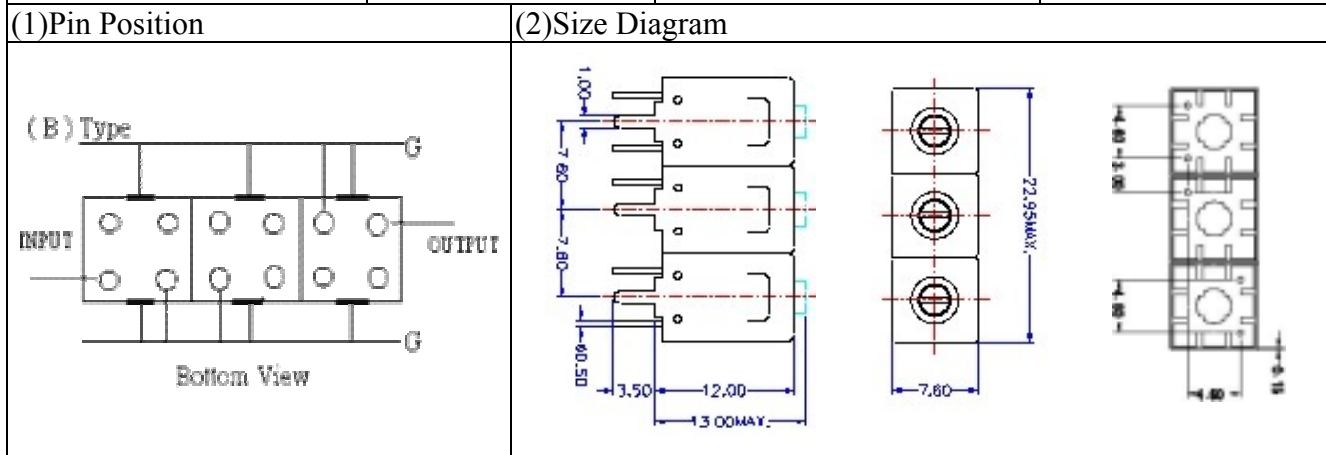


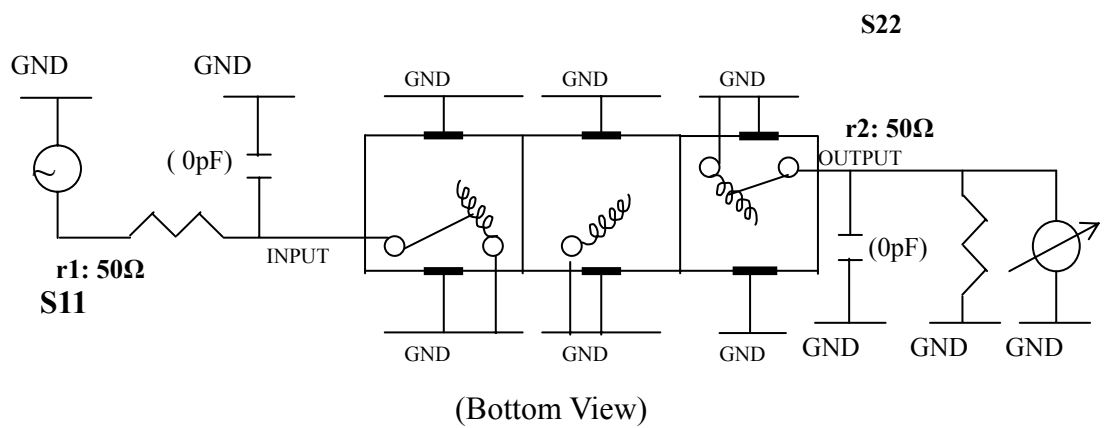
VHF UHF Helical Filter Specification Sheet

Customer Name		Temwell's Part No.	TT67183B-235M
Approval No. /dated	0901067CD	Customer's Print Name.	67183B 235M
Work Instruction No.	200901067CD	Date	Feb.02.2009



(3) Electric Characteristic		Item	Specify
		Center Freq.(Fo) +/- 0.5 %	235 MHz
		Insertion Loss	Typ. 2.5 dB
		-3 dB Bandwidth	Typ. 16 MHz
Sensitivity (Attenuation)	Fo - 50 MHz	Typ. 61 dBc	
	Fo + 50 MHz	Typ. 37 dBc	
	Fo - ()MHz	Typ. dBc	
	Fo +()MHz	Typ. dBc	
		Return Loss	Min. 12 dB
		Ripple	< 1 dB
		Impedance	In / Out : 50 Ω
(4) Torque for Tuning Screw		> 100gf cm	
(5) Temperature Condition:			
Operating Temperature		0 ~ +60	
Storage Temperature		-20 ~ +70	
(6) Input Power		> 1 Watt	

(7) Measuring Circuit: Easy to match Impedance S11/S22 50Ω by parallel with about(0pF) / (0pF).

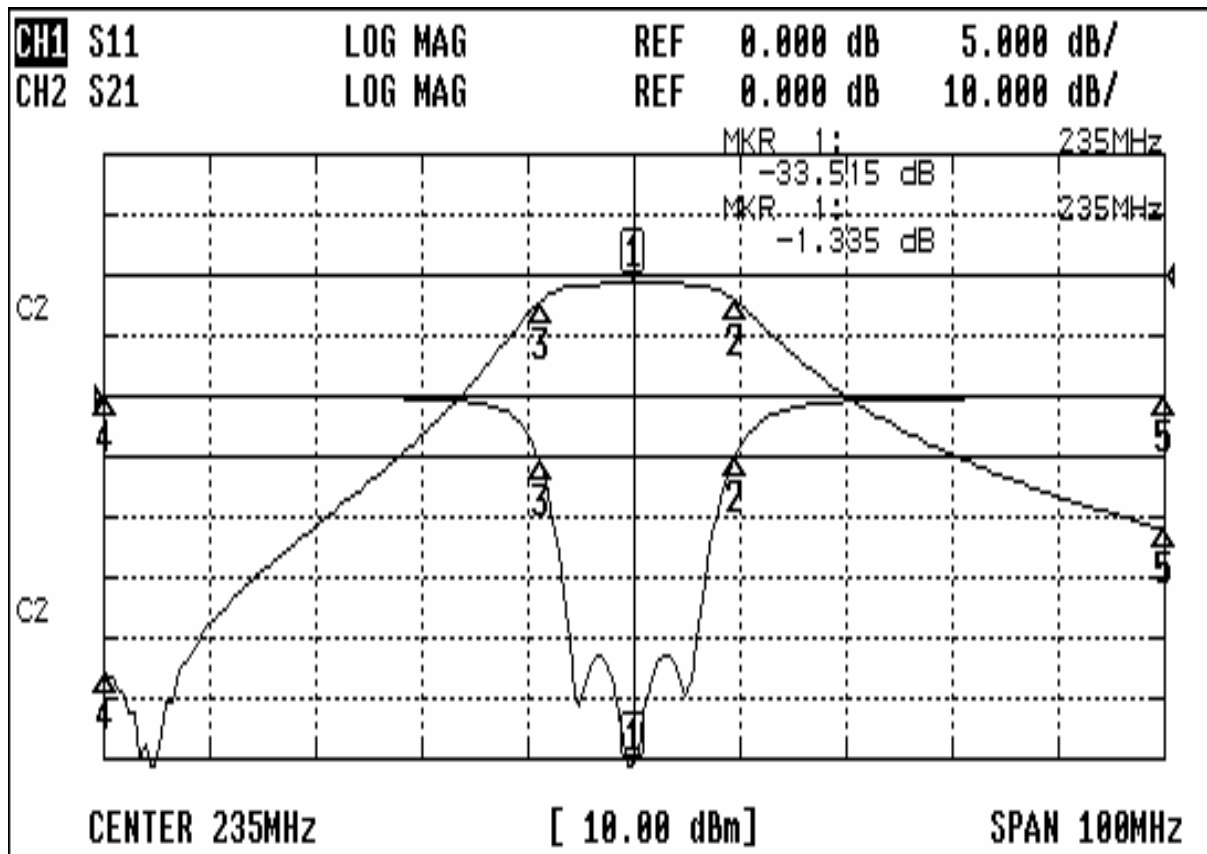


Approval	Supervisor	Designer	Aperture size
C.Y.Chang	C.K.Chang	C.H.Yeh	7H3S(4*8.0)(8.06) (7H024RB4)

TEMWELL CORPORATION

Performance-TT67183B-235M

200901067CD



CH1 MARKER LIST

1:	235.000MHz	-33.497 dB
2:	244.666MHz	-4.8889 dB
3:	226.166MHz	-5.3392 dB
4:	185.000MHz	-0.028 dB
5:	285.000MHz	-0.035 dB

CH2 MARKER LIST

1:	235.000MHz	-1.3335 dB
2:	244.666MHz	-4.3886 dB
3:	226.166MHz	-4.3888 dB
4:	185.000MHz	-65.912 dB
5:	285.000MHz	-42.013 dB