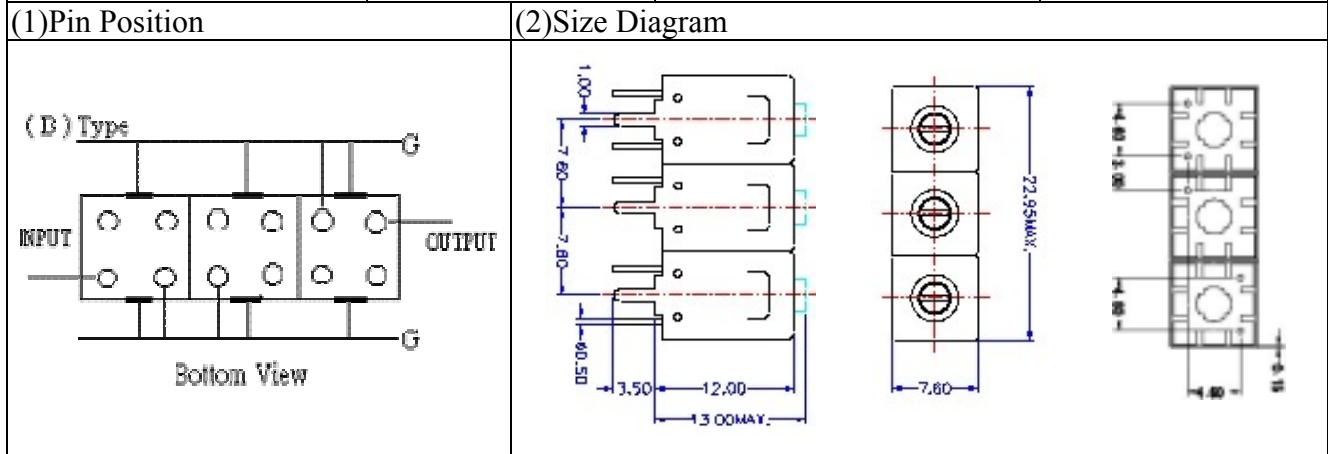
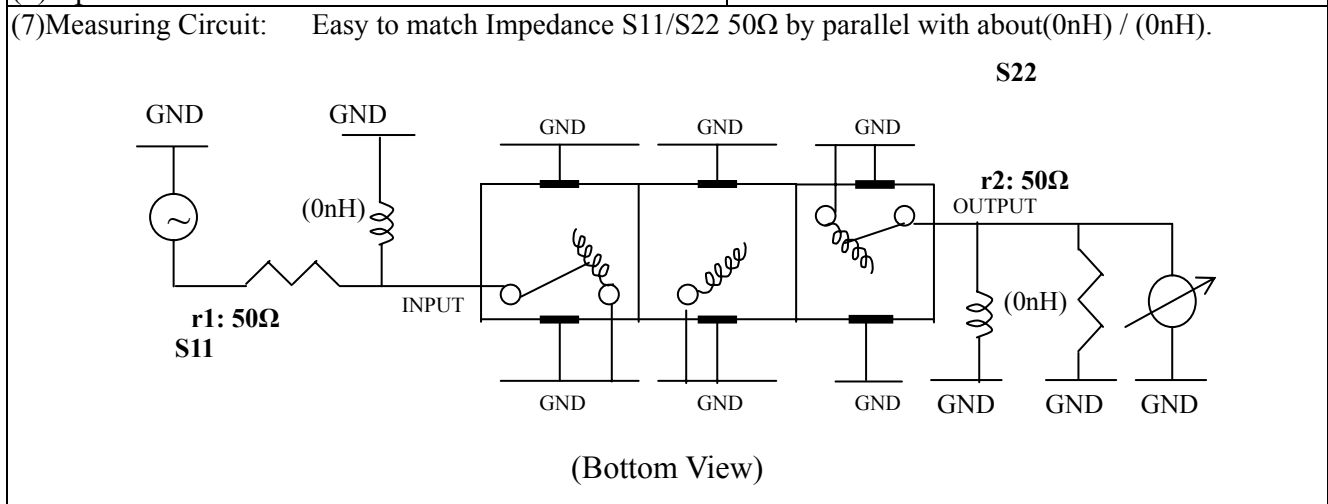


# VHF UHF Helical Filter Specification Sheet

Customer Name		Temwell's Part No.	TT67181B1-128M
Approval No. /dated	0709081APR	Temwell's Print name	67181B1 128M
Work Instruction No.	0710064A	Date	Oct.31.2007



(3) Electric Character		Item	Specify
		Center Freq.(Fo) +/- 0.5 %	128 MHz
		Tunable Range:	128 ±2 MHz
		Insertion Loss	Typ. 1.5 dB
		-3 dB Bandwidth	Typ. 23 MHz
Sensitivity (Attenuation)	Fo - 50 MHz	Typ. 54 dBc	
	Fo + 50 MHz	Typ. 31 dBc	
	Fo - ( )MHz	Typ. dBc	
	Fo +( )MHz	Typ. dBc	
		Return Loss	Min. 12 dB
		Ripple	< 1 dB
		Impedance	In / Out : 50 Ω
(4) Torque for Tuning Screw			> 100gf cm
(5) Temperature Condition:			
Operating Temperature			0 ~ +60
Storage Temperature			-20 ~ +70
(6) Input Power			> 1Watt



Approval	Supervisor	Designer	Aperture size
C.Y.Chang	C.S.Chang	J.F.Lin	7H3(4*6.5)F 7H024LB6.5

TEMWELL CORPORATION

# Performance-TT67181B1-128M

## 0710064A

