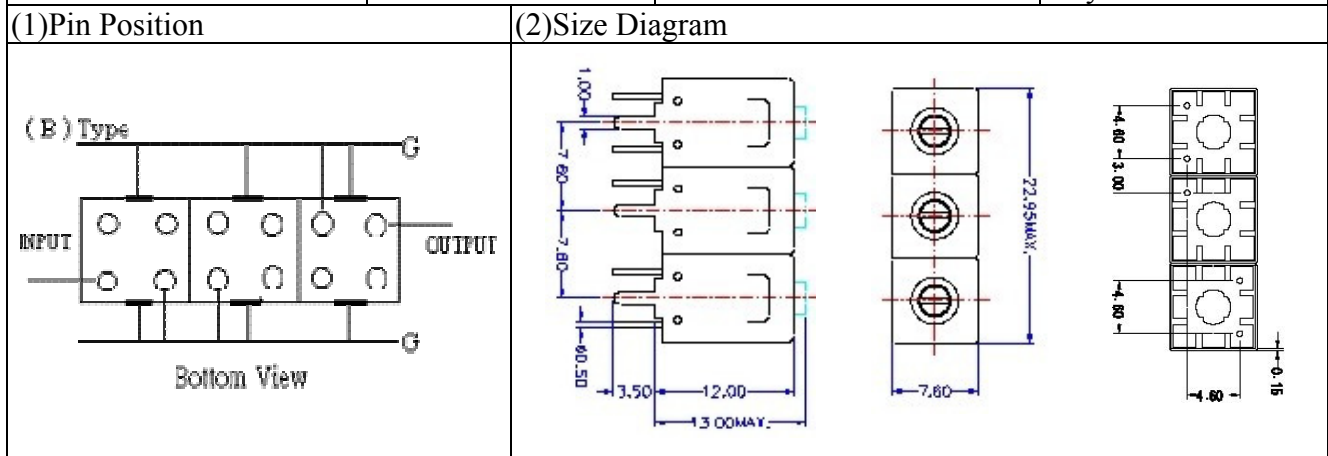


VHF UHF Helical Filter Specification Sheet

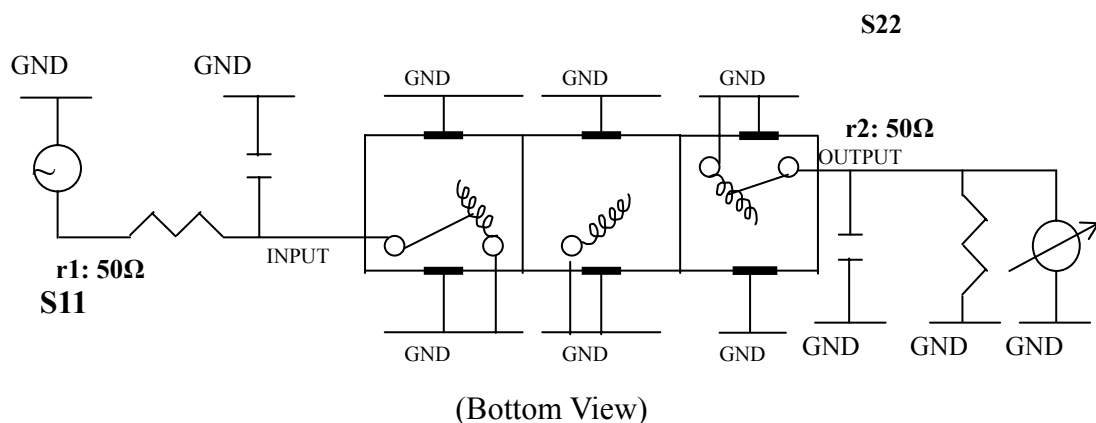
Customer Name		Temwell's Part No.	TT67180B-370M
Approval No. /dated		Temwell's Print name.	67180B 370M
Work Instruction No.	201205001A	Date	May.09.2012



(3) Electric Charasteric

Item	Specify	
Center Freq.(Fo) +/- 0.5 %	370	MHz
Insertion Loss	Typ. 3.0	dB
-3 dB Bandwidth	Typ. 15	MHz
Sensitivity (Attenuation)	Fo - (50) MHz	Typ. 51 dBc
	Fo + (50) MHz	Typ. 46 dBc
	Fo - () MHz	Typ. dBc
	Fo + () MHz	Typ. dBc
Return Loss	Min. 12	dB
Ripple	< 1	dB
Impedance	In / Out : 50 Ω	
(4) Torque for Tuning Screw	> 60gf • cm	
(5) Temperature Condition:		
Operating Temperature	0°C ~ +60°C	
Storage Temperature	-20°C ~ +70°C	
(6) Input Power	> 1Watt	

(7) Measuring Circuit: ※Easy to match Impedance S11/S22 50Ω by parallel with about(- -) / (- -)



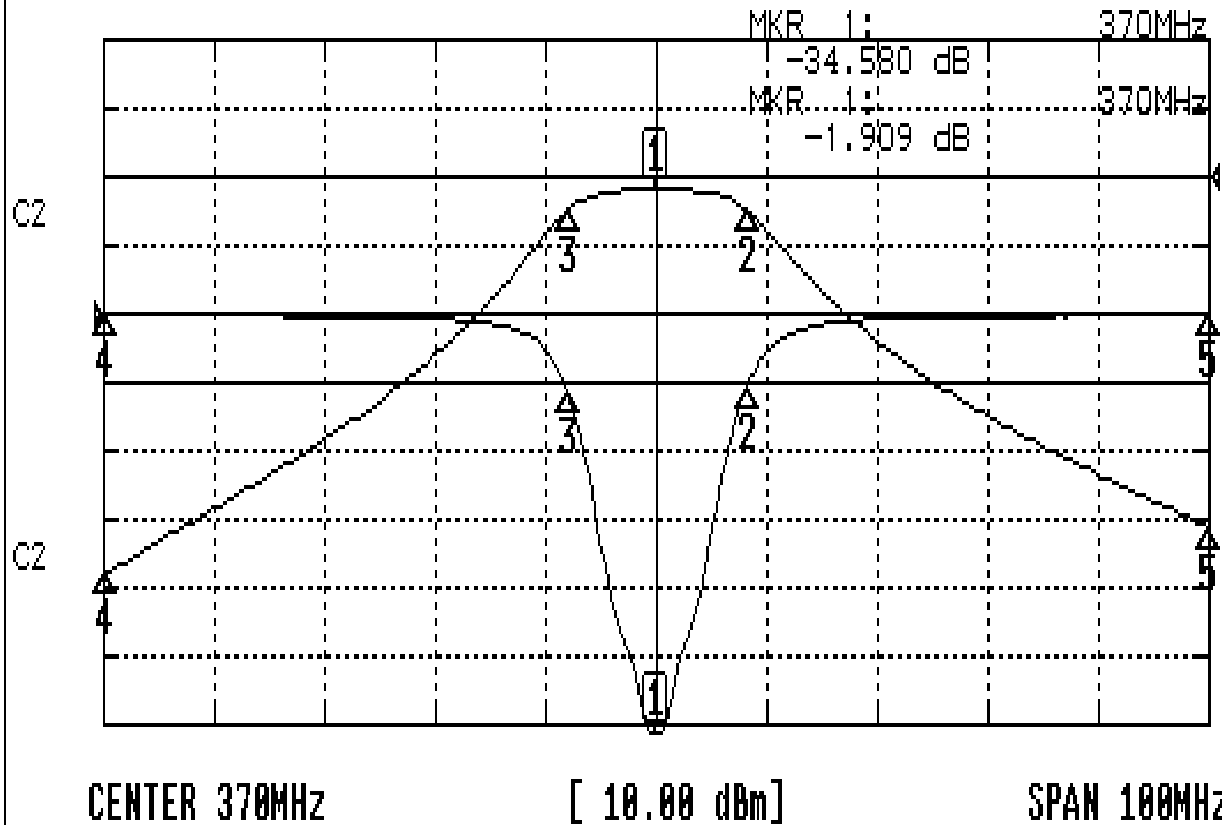
Approval C.Y.Chang	Supervisor C.K.Chang	Designer M.Y.Kang	Aperture size 7H3S(4*5.6)(5.68) 7H046LB5
-----------------------	-------------------------	----------------------	------------------------------------------------

TEMWELL CORPORATION

Performance-TT67180B-370M

201205001A

CH1 S11 LOG MAG REF 0.000 dB 5.000 dB/
CH2 S21 LOG MAG REF 0.000 dB 10.000 dB/



CH1 MARKER LIST

1:	370.000MHz	-34.634 dB
2:	378.250MHz	-5.340 dB
3:	362.000MHz	-5.559 dB
4:	320.000MHz	-0.114 dB
5:	420.000MHz	-0.108 dB
6:		
7:		
8:		
9:		
10:		

CH2 MARKER LIST

1:	370.000MHz	-1.909 dB
2:	378.250MHz	-4.955 dB
3:	362.000MHz	-4.961 dB
4:	320.000MHz	-57.891 dB
5:	420.000MHz	-51.232 dB
6:		
7:		
8:		
9:		
10:		