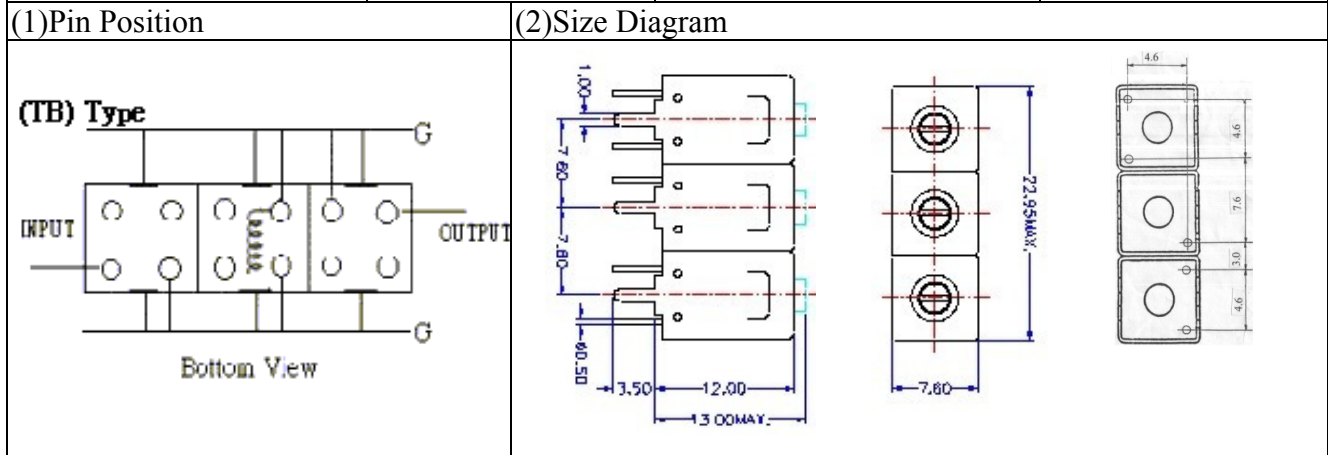
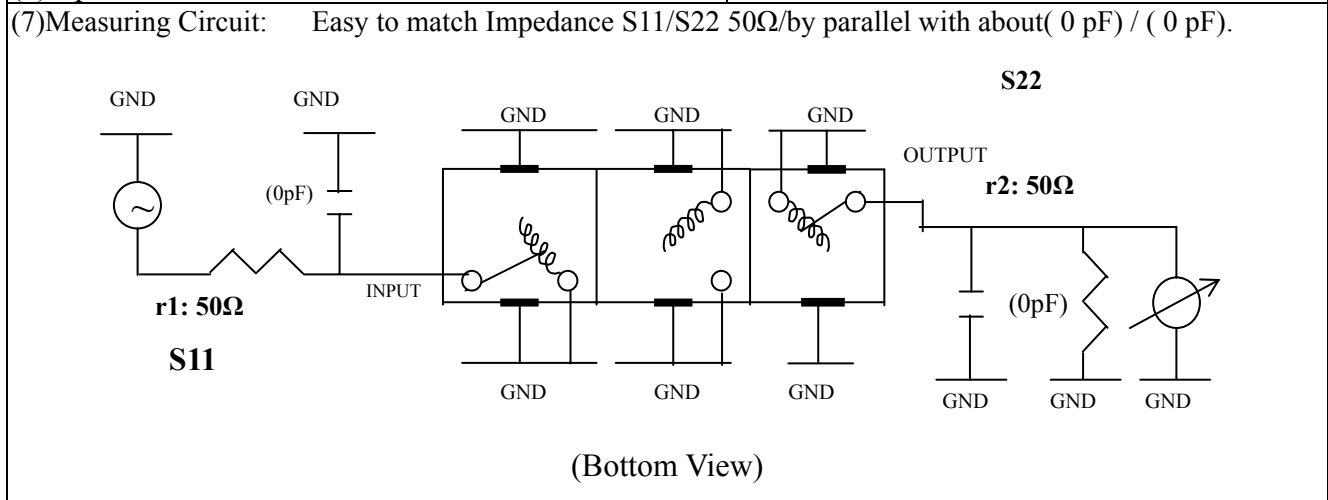


VHF UHF Helical Filter Specification Sheet

Customer Name		Temwell's Part No.	TT67157TB-415M
Approval No. /dated		Temwell's print name	67157TB 415M
Work Instruction No.	0710041C	Date	Oct.22.2007



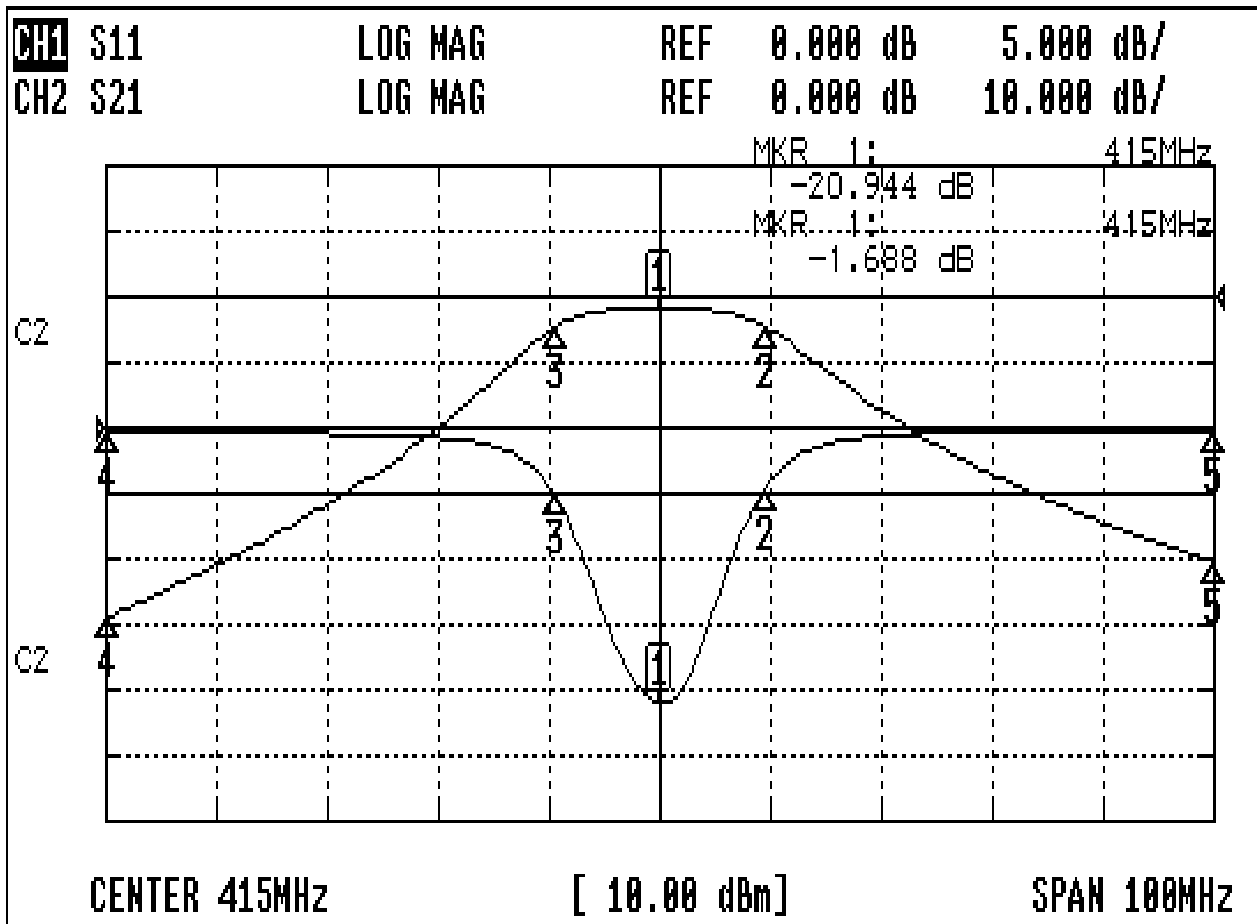
(3) Electric Characteristic		Item	Specify
		Center Freq.(Fo) +/- 0.5 %	415 MHz
		Tunable Range	415±5 MHz
		Insertion Loss	Typ. 3.0 dB
		-3 dB Bandwidth	Typ. 15 MHz
Sensitivity (Attenuation)	Fo - 50 MHz	Typ. 46	dBc
	Fo + 50 MHz	Typ. 35	dBc
	Fo - ()MHz	Typ.	dBc
	Fo +()MHz	Typ.	dBc
		Return Loss	Min. 12 dB
		Ripple	< 1 dB
		Impedance	In / Out : 50 Ω
(4) Torque for Tuning Screw		> 100gf cm	
(5) Temperature Condition:			
Operating Temperature		0 ~ +60	
Storage Temperature		-20 ~ +70	
(6) Input Power		> 1Watt	



Approval	Supervisor	Designer	Aperture size
C.Y.Chang	C.S.Chang	W.W.Wang	7H3(4*6.5)F 7H046LB4 聚 3
TEMWELL CORPORATION			

Performance-TT67157TB-415M

0710041C



CH1 MARKER LIST

1:	415.000MHz	-20.944 dB
2:	424.583MHz	-4.593 dB
3:	405.583MHz	-5.104 dB
4:	365.000MHz	-0.289 dB
5:	465.000MHz	-0.242 dB

CH2 MARKER LIST

1:	415.000MHz	-1.687 dB
2:	424.583MHz	-4.654 dB
3:	405.583MHz	-4.683 dB
4:	365.000MHz	-48.999 dB
5:	465.000MHz	-40.487 dB