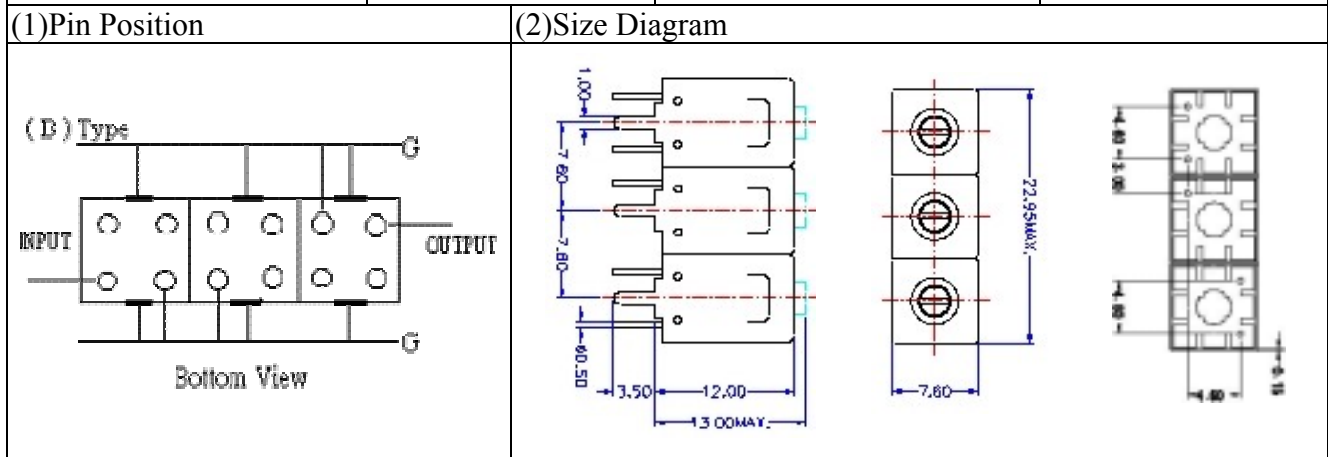
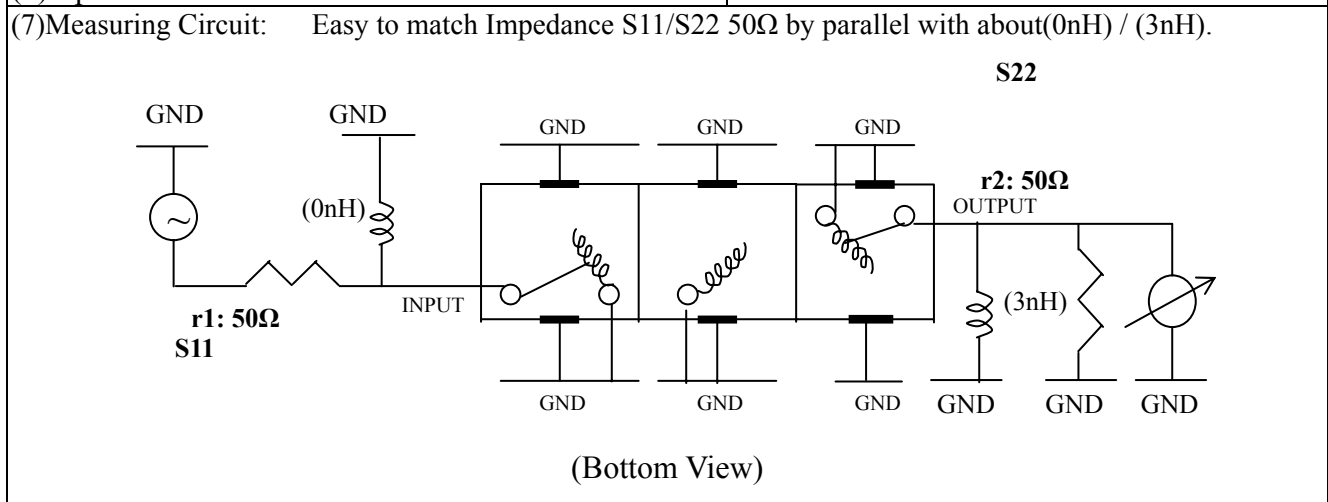


VHF UHF Helical Filter Specification Sheet

Customer Name		Temwell's Part No.	TT67157B-445M
Approval No. /dated		Temwell's Print name	67157B 445M
Work Instruction No.	0710039C	Date	Oct.22.2007



(3) Electric Characteristic		Item	Specify
		Center Freq.(Fo) +/- 0.5 %	445 MHz
		Tunable Range:	445±5 MHz
		Insertion Loss	Typ. 3.0 dB
		-3 dB Bandwidth	Typ. 15 MHz
Sensitivity (Attenuation)	Fo - 50 MHz	Typ.	44 dBc
	Fo + 50 MHz	Typ.	35 dBc
	Fo - ()MHz	Typ.	dBc
	Fo +()MHz	Typ.	dBc
		Return Loss	Min. 12 dB
		Ripple	< 1 dB
		Impedance	In / Out : 50 Ω
(4) Torque for Tuning Screw		> 100gf cm	
(5) Temperature Condition:			
Operating Temperature		0 ~ +60	
Storage Temperature		-20 ~ 70	
(6) Input Power		> 1Watt	



Approval	Supervisor	Designer	Aperture size
C.Y.Chang	C.S.Chang	K.M.Yin	7H3(4*6.5)F 7H046LB4 聚 3

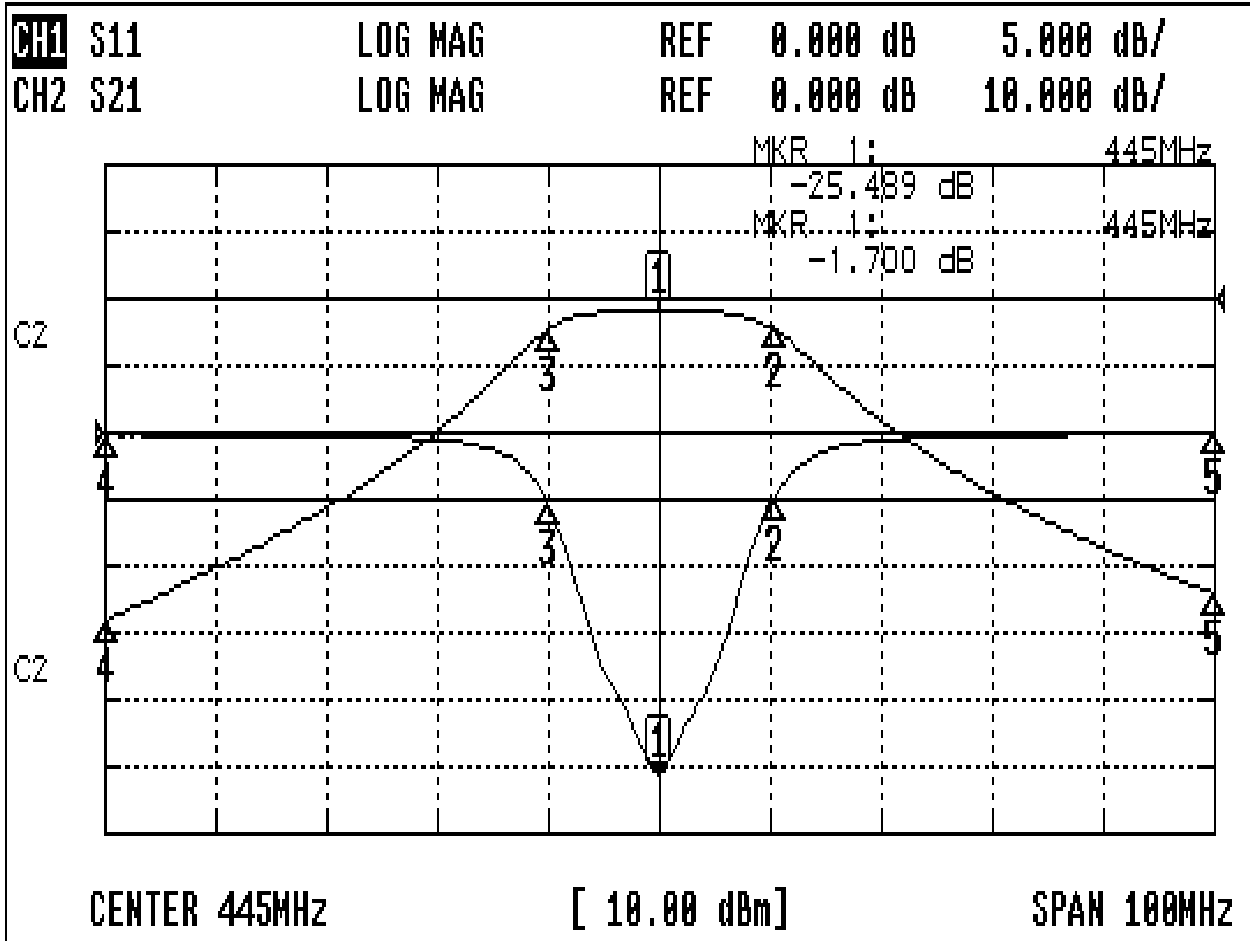
TEMWELL CORPORATION

TEMWELL

Form10-7H3B Vision D RP(K.M.Y)

Performance-TT67157B-445M

0710039C



CH1 MARKER LIST

1:	445.000MHz	-25.489 dB
2:	455.333MHz	-4.893 dB
3:	435.000MHz	-5.290 dB
4:	395.000MHz	-0.152 dB
5:	495.000MHz	-0.084 dB
6:		
7:		
8:		
9:		
10:		

CH2 MARKER LIST

1:	445.000MHz	-1.700 dB
2:	455.333MHz	-4.685 dB
3:	435.000MHz	-4.656 dB
4:	395.000MHz	-48.060 dB
5:	495.000MHz	-44.127 dB
6:		
7:		
8:		
9:		
10:		