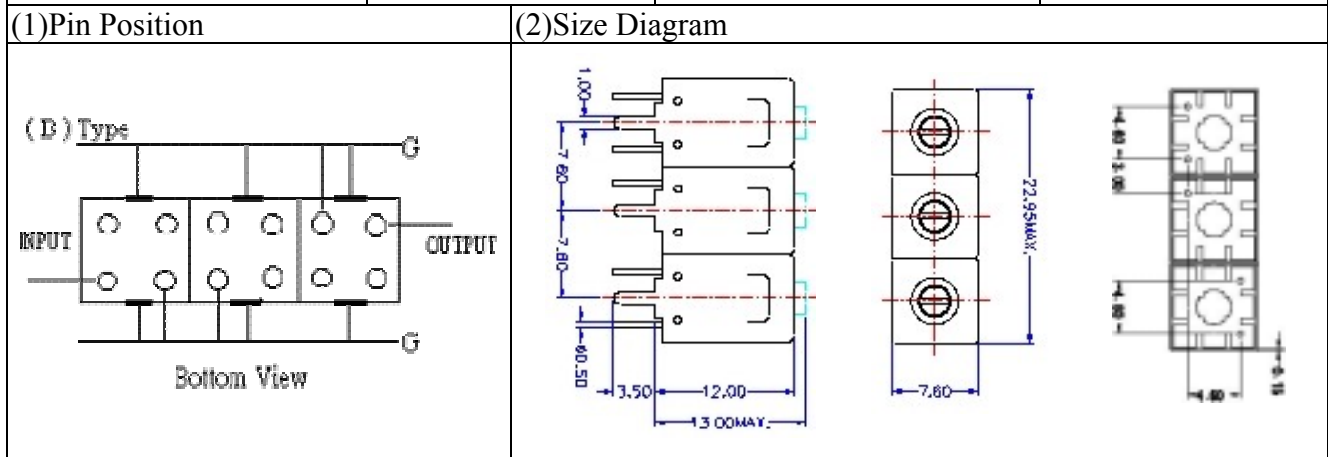


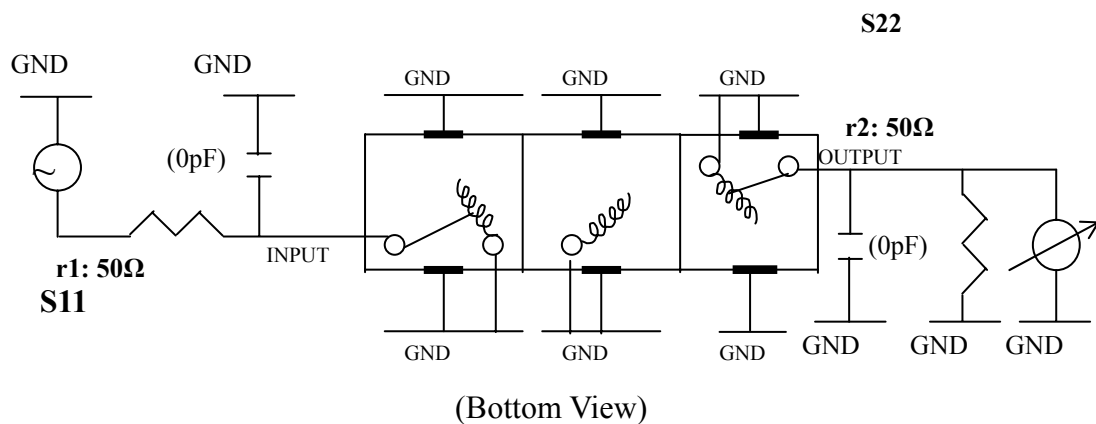
# VHF UHF Helical Filter Specification Sheet

Customer Name		Temwell's Part No.	TT67157B-418M
Approval No. /dated	0710037APR	Customer's Print Name.	67157B 418M
Work Instruction No.	0710037C	Date	Oct.19.2007



(3)Electric Charasteric	
Item	Specify
Center Freq.(Fo) +/- 0.5 %	418 MHz
Tunable Range:	418±5 MHz
Insertion Loss	Typ. 3.0 dB
-3 dB Bandwidth	Typ. 15 MHz
Sensitivity (Attenuation)	Fo - 50 MHz Typ. 44 dBc
	Fo + 50 MHz Typ. 35 dBc
	Fo - ( )MHz Typ. dBc
	Fo +( )MHz Typ. dBc
Return Loss	Min. 12 dB
Ripple	< 1 dB
Impedance	In / Out : 50 Ω
(4)Torque for Tuning Screw > 100gf cm	
(5)Temperature Condition:	
Operating Temperature	0 ~ +60
Storage Temperature	-20 ~ +70
(6)Input Power > 1Watt	

(7)Measuring Circuit: Easy to match Impedance S11/S22 50Ωby parallel with about(0pF) / (0pF).



Approval	Supervisor	Designer	Aperture size
C.Y.Chang	C.S.Chang	W.W.Wang	7H3S(4*6.5)F 7H046LB4 聚 3

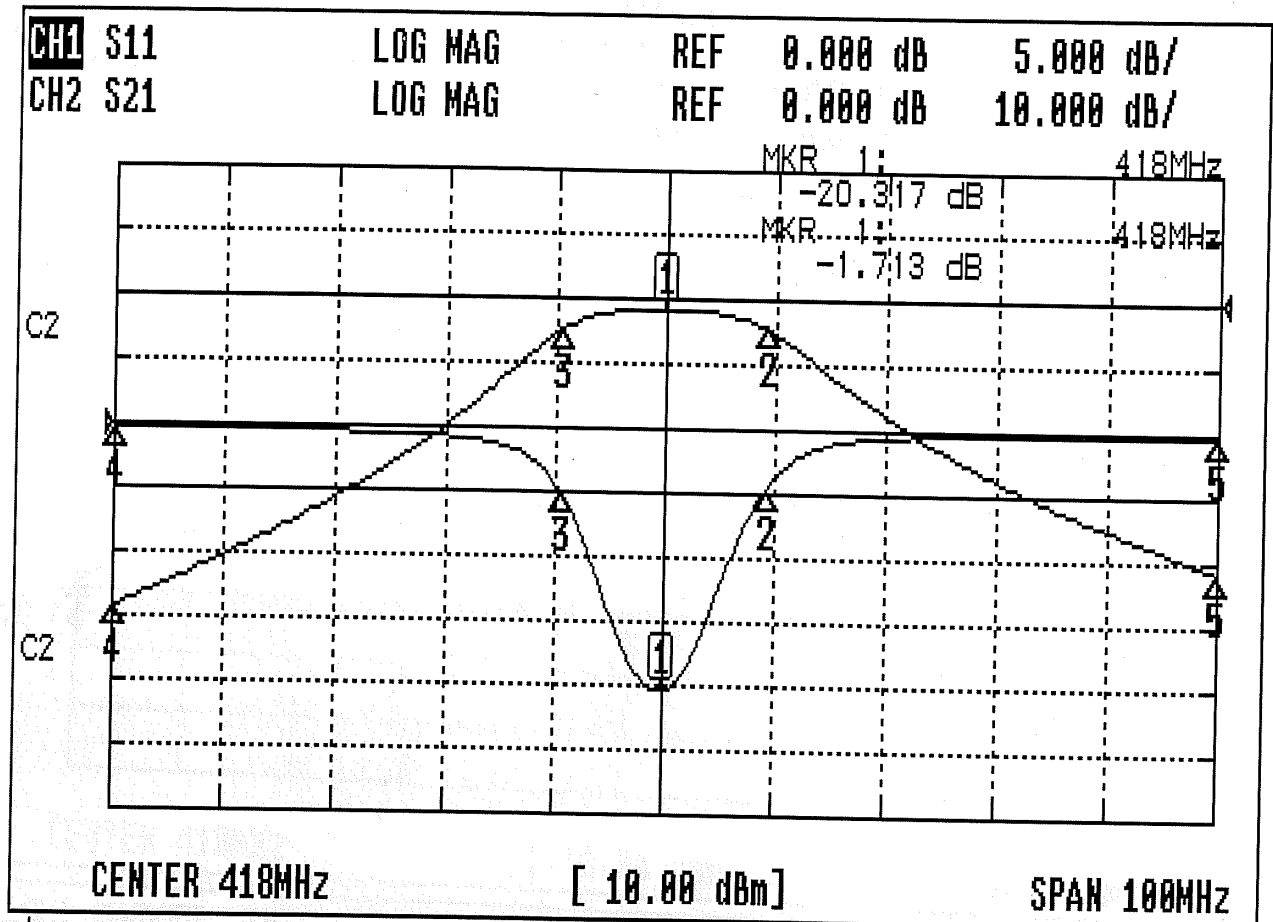
TEMWELL CORPORATION

TEMWELL

Form10-7H3B Vision D RP (W.W.W)

# Performance-TT67157B-418M

## 0710037C



### CH1 MARKER LIST

1:	418.000MHz	-20.317 dB
2:	427.416MHz	-4.403 dB
3:	408.583MHz	-5.047 dB
4:	368.000MHz	-0.275 dB
5:	468.000MHz	-0.223 dB
6:		
7:		
8:		
9:		
10:		

### CH2 MARKER LIST

1:	418.000MHz	-1.713 dB
2:	427.416MHz	-4.770 dB
3:	408.583MHz	-4.782 dB
4:	368.000MHz	-48.466 dB
5:	468.000MHz	-41.538 dB
6:		
7:		
8:		
9:		
10:		