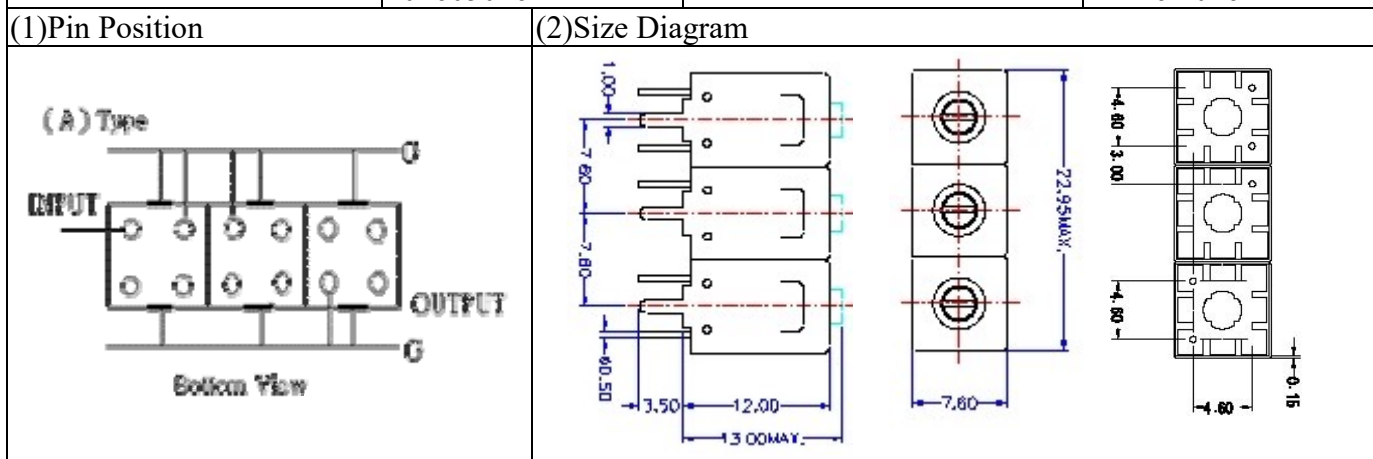


# VHF UHF Helical Filter Specification Sheet

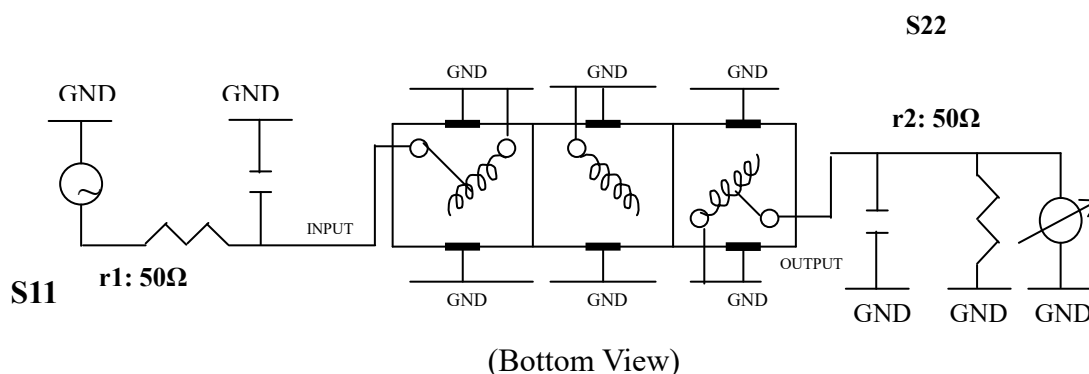
Customer Name		Temwell's Part No.	TT67153A-960M
Approval No. /dated		Customer's Print Name.	67153A 960M
Work Instruction No.	201605026C	Date	Jan.16.2016



(3) Electric Chararestic

Item	Specify
Center Freq.(Fo) +/- 0.5 %	960 MHz
Insertion Loss	Typ. 6.0 dB
-3 dB Bandwidth	Typ. 2 MHz
Sensitivity (Attenuation)	Fo - 50 MHz Typ. 53 dBc
	Fo + 50 MHz Typ. 37 dBc
	Fo - ( )MHz Typ. dBc
	Fo +( )MHz Typ. dBc
Return Loss	Min. 12 dB
Ripple	< 1 dB
Impedance	In / Out : 50 Ω
(4) Torque for Tuning Screw	> 60gf · cm
(5) Temperature Condition:	
Operating Temperature	0°C ~ +60°C
Storage Temperature	-20°C ~ +70°C
(6) Input Power	> 1 Watt

(7) Measuring Circuit: ※Easy to match Impedance S11/S22 50Ω by parallel with about (-) .



Approval	Supervisor	Designer	Aperture size
C.Y.Chang	C.S.Chang	C.S.Chang	7H3S(4*4.65)(4.69) 7H046LB4.3 聚 3

TEMWELL CORPORATION

TEMWELL

Form10-7H3A Vision D

RP (C.S.C)

# Performance-TT67153A-960M

## 201605026C

Tr1 S11 Log Mag 5.000dB/ Ref 0.000dB [F2]  
Tr2 S21 Log Mag 10.00dB/ Ref 0.000dB [F2]

