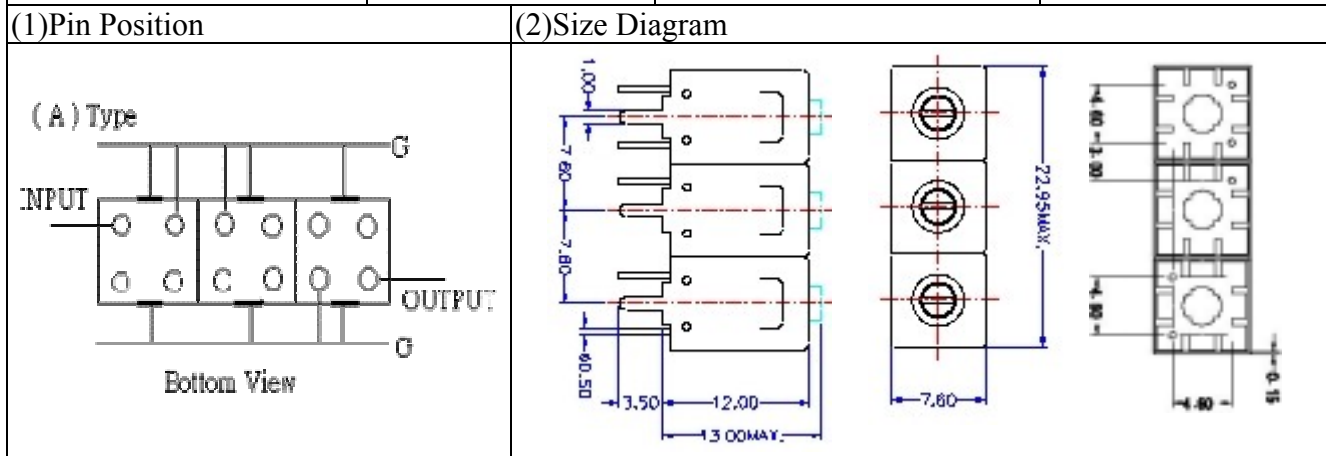


VHF UHF Helical Filter Specification Sheet

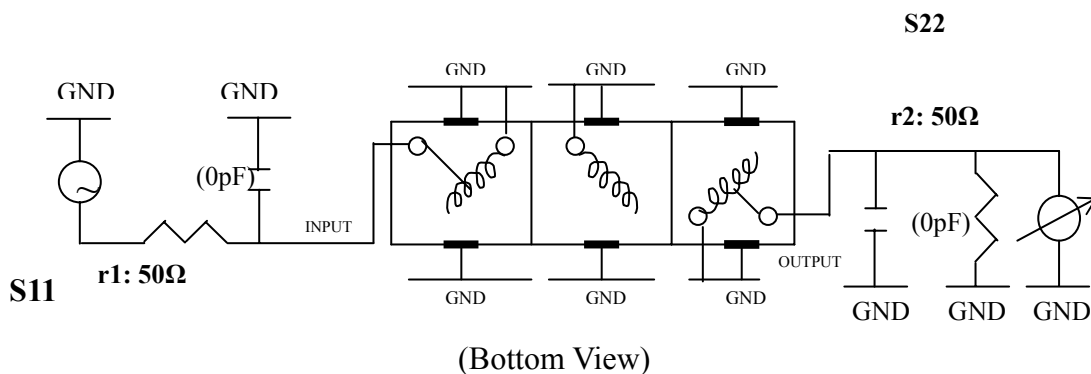
Customer Name		Temwell's Part No.	TT67133A-880M
Approval No. /dated	0906108C	Customer's Print Name.	67133A 880M
Work Instruction No.	200906108C	Date	Jul.21.2009



(3) Electric Charasteric

Item	Specify
Center Freq.(Fo) +/- 0.5 %	880 MHz
Insertion Loss	Typ. 4.0 dB
-3 dB Bandwidth	Typ. 16 MHz
Sensitivity (Attenuation)	Fo - 50 MHz Typ. 32 dBc
	Fo + 50 MHz Typ. 23 dBc
	Fo - ()MHz Typ. dBc
	Fo +()MHz Typ. dBc
Return Loss	Min. 12 dB
Ripple	< 1 dB
Impedance	In / Out : 50 Ω
(4)Torque for Tuning Screw	> 60gf cm
(5)Temperature Condition:	
Operating Temperature	0 ~ +60
Storage Temperature	-20 ~ +70
(6)Input Power	> 1Watt

(7)Measuring Circuit: Easy to match Impedance S11/S22 50Ωby parallel with about(0pF) / (0pF).

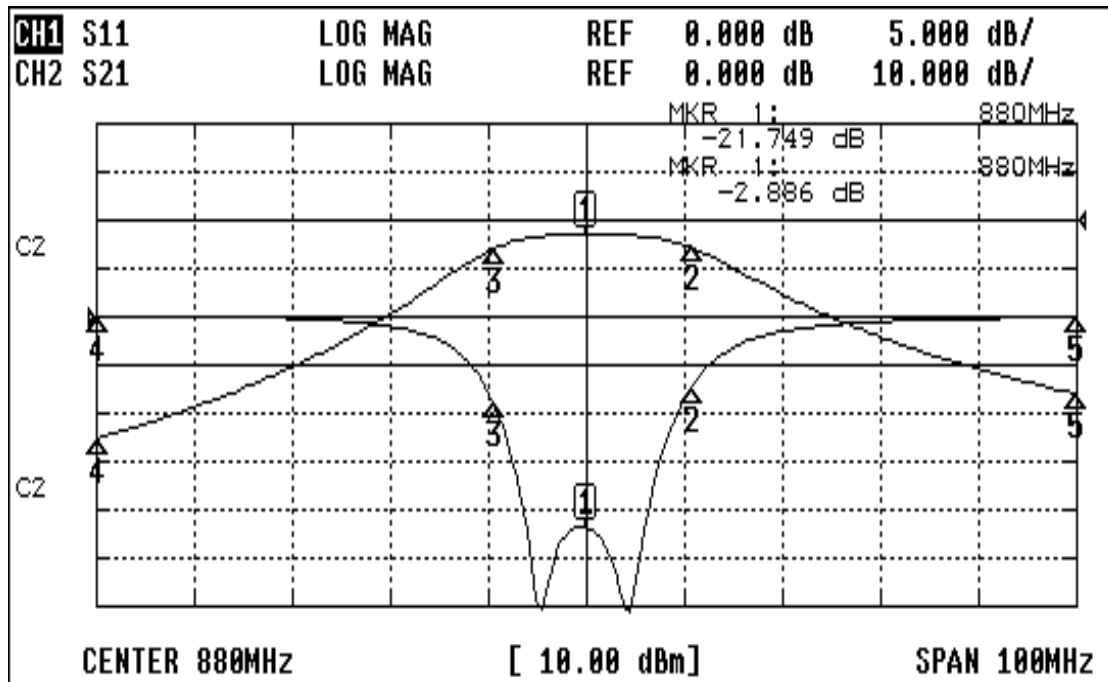


Approval C.Y.Chang	Supervisor C.K.Chang	Designer W.S.Chen	Aperture size 7H3S(4*4.65)(4.66) 7H046LB4.3 聚 3
-----------------------	-------------------------	----------------------	---

TEMWELL CORPORATION

Performance-TT67133A-880M

200906108C



CH1 MARKER LIST

1:	880.000MHz	-21.749 dB
2:	890.916MHz	-7.141 dB
3:	870.500MHz	-8.745 dB
4:	830.000MHz	0.100 dB
5:	930.000MHz	-0.041 dB
6:		
7:		
8:		
9:		
10:		

CH2 MARKER LIST

1:	880.000MHz	-2.886 dB
2:	890.916MHz	-5.832 dB
3:	870.500MHz	-5.844 dB
4:	830.000MHz	-45.173 dB
5:	930.000MHz	-36.041 dB
6:		
7:		
8:		
9:		
10:		