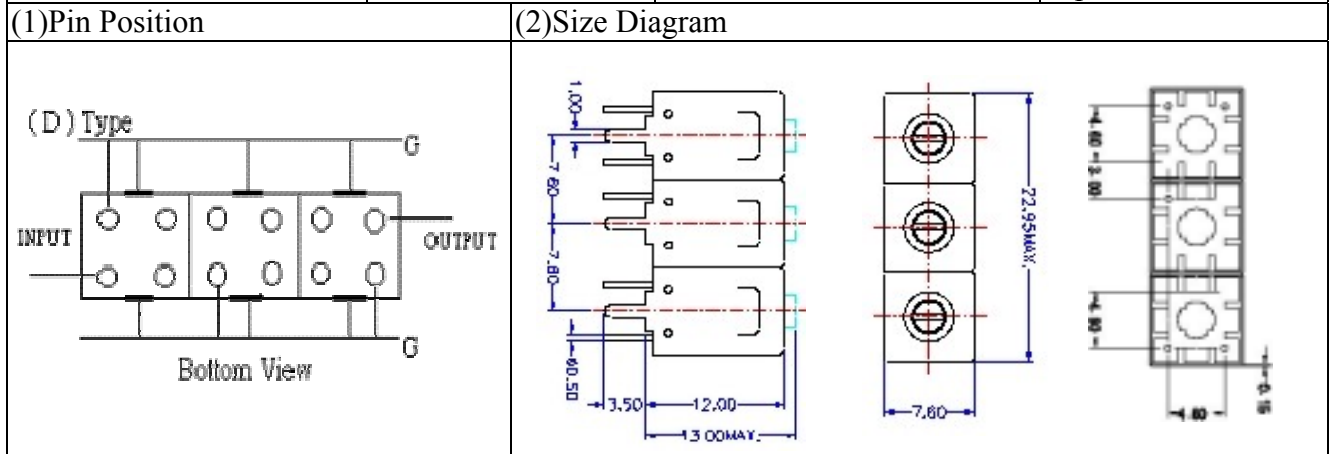


VHF UHF Helical Filter Specification Sheet

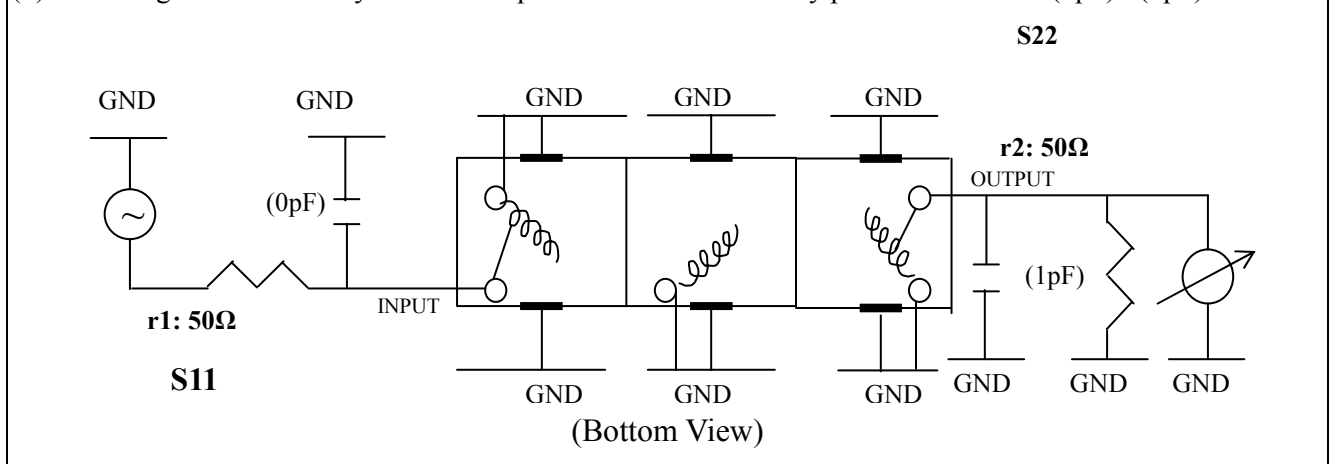
Customer Name		Temwell's Part No.	TT67100D-455M
Approval No. /dated	0809045C	Customer's Part Name.	67100D 455M
Work Instruction No.	200809045C	Date	Sep.19.2008



(3) Electric Charasteric

Item	Specify	
Center Freq.(Fo) +/- 0.5 %	455	MHz
Insertion Loss	Typ. 4.0	dB
-3 dB Bandwidth	Typ. 10	MHz
Sensitivity (Attenuation)	Fo - 50 MHz	Typ. 55 dBc
	Fo + 50 MHz	Typ. 37 dBc
	Fo - ()MHz	Typ. dBc
	Fo +()MHz	Typ. dBc
Return Loss	Min. 12	dB
Ripple	< 1	dB
Impedance	In / Out : 50 Ω	
(4)Torque for Tuning Screw	> 100gf cm	
(5)Temperature Condition:		
Operating Temperature	0 ~ +60	
Storage Temperature	-20 ~ +70	
(6)Input Power	> 1Watt	

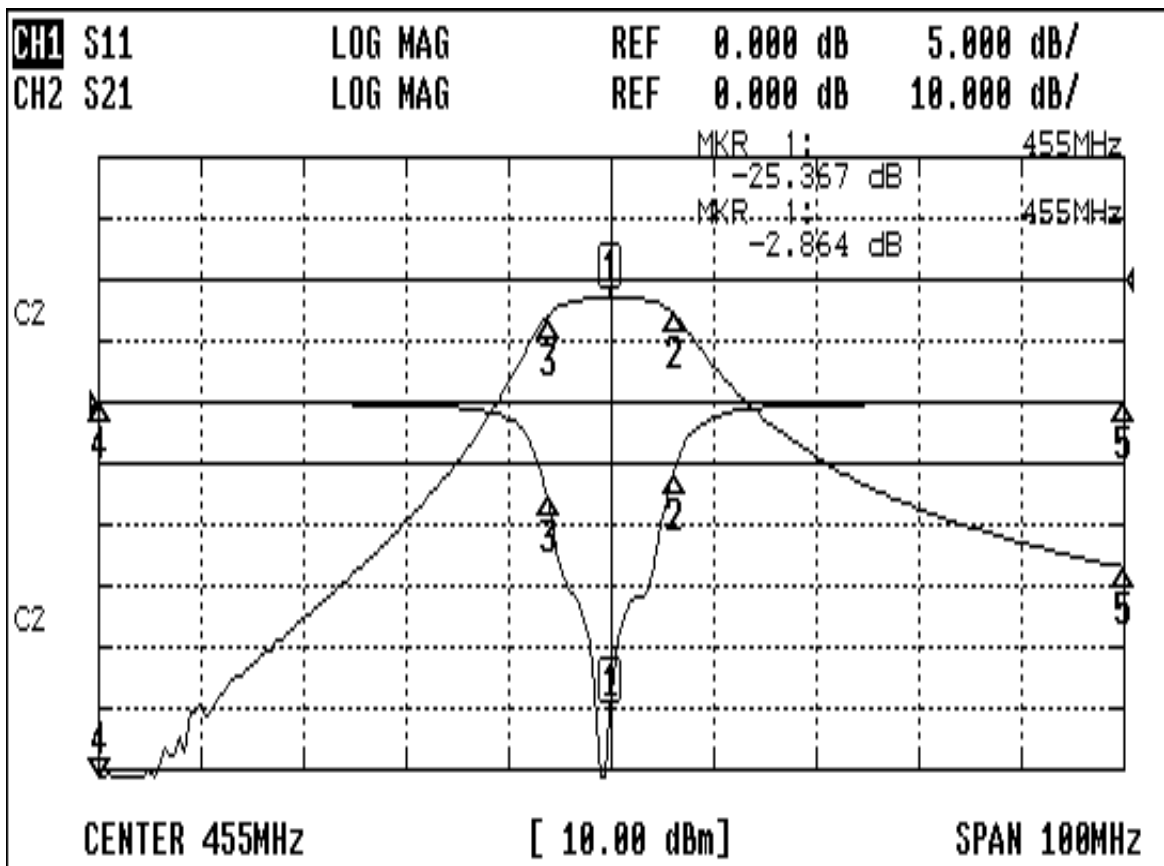
(7)Measuring Circuit: Easy to match Impedance S11/S22 50Ω/ by parallel with about(0pF) / (1pF).



Approval	Supervisor	Designer	Aperture size
C.Y.Chang	C.S.Chang	K.L.Lai	7H3S(4*5.5F) 7H046LB4 聚 3
TEMWELL CORPORATION			

Performance-TT67100D-455M

200809045C



CH1 MARKER LIST

1:	455.000MHz	-25.367 dB
2:	461.166MHz	-5.780 dB
3:	448.833MHz	-7.763 dB
4:	405.000MHz	-0.055 dB
5:	505.000MHz	-0.049 dB

CH2 MARKER LIST

1:	455.000MHz	-2.868 dB
2:	461.166MHz	-5.776 dB
3:	448.833MHz	-6.001 dB
4:	405.000MHz	-93.163 dB
5:	505.000MHz	-46.884 dB