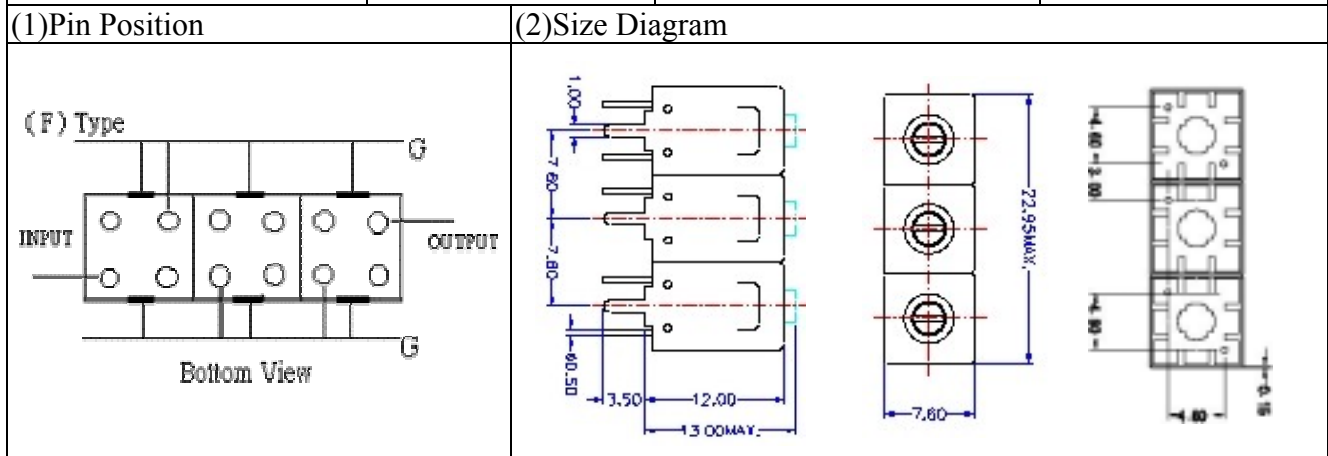


# VHF UHF Helical Filter Specification Sheet

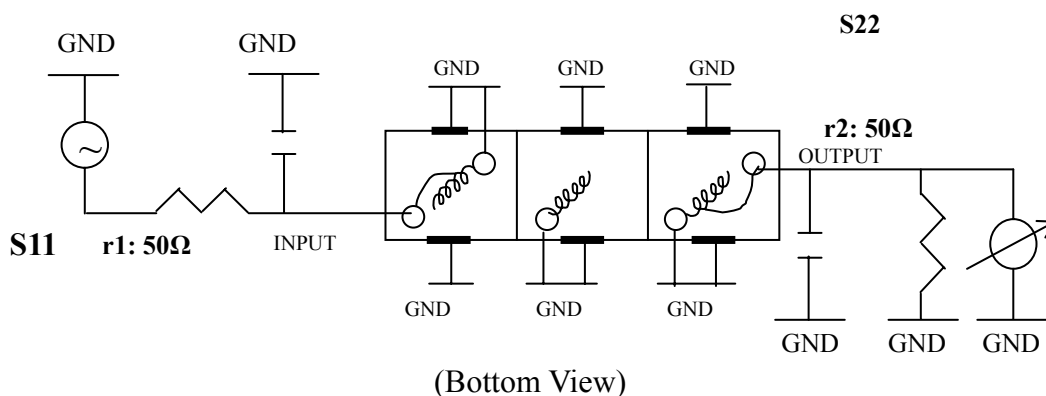
Customer Name		Temwell's Part No.	TT6395F-450M
Approval No. /dated		Temwell's print name	6395F 450M
Work Instruction No.	201004065C	Date	Feb.08.2010



### (3) Electric Charasteric

Item	Specify	
Center Freq.(Fo ) +/- 0.5 %	450	MHz
Insertion Loss	Typ. 2.0	dB
-3 dB Bandwidth	Typ. 120	MHz
Sensitivity (Attenuation )	Fo - 200 MHz	Typ. 56 dBc
	Fo + 200 MHz	Typ. 29 dBc
	Fo - ( )MHz	Typ. dBc
	Fo +( )MHz	Typ. dBc
Return Loss	Min. 12	dB
Ripple	< 1	dB
Impedance	In / Out : 50 Ω	
(4)Torque for Tuning Screw	> 60gf cm	
(5)Temperature Condition:		
Operating Temperature	0 ~ +60	
Storage Temperature	-20 ~ +70	
(6)Input Power	> 1Watt	

(7)Measuring Circuit: Easy to match Impedance S11/S22 50Ω by parallel with about( -- ) / ( -- ).



Approval C.Y.Chang	Supervisor C.K.Chang	Designer C.S.Chang	Aperture size 7H3S(4*8.0)(8.02) 7H046RB6.5
-----------------------	-------------------------	-----------------------	--

TEMWELL CORPORATION

# Performance-TT6395F-450M

## 201004065C

