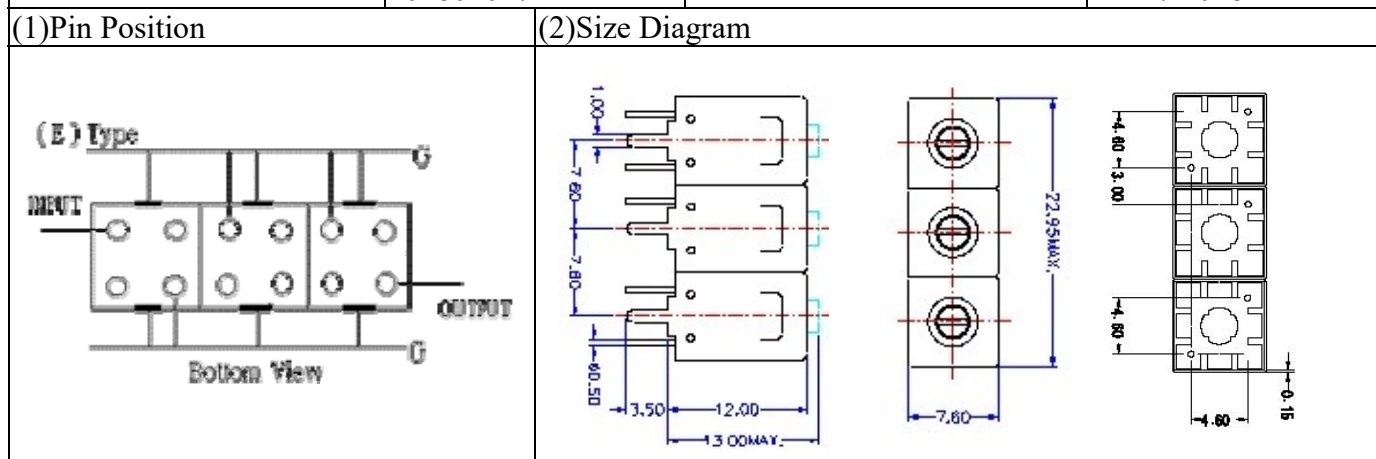


VHF UHF Helical Filter Specification Sheet

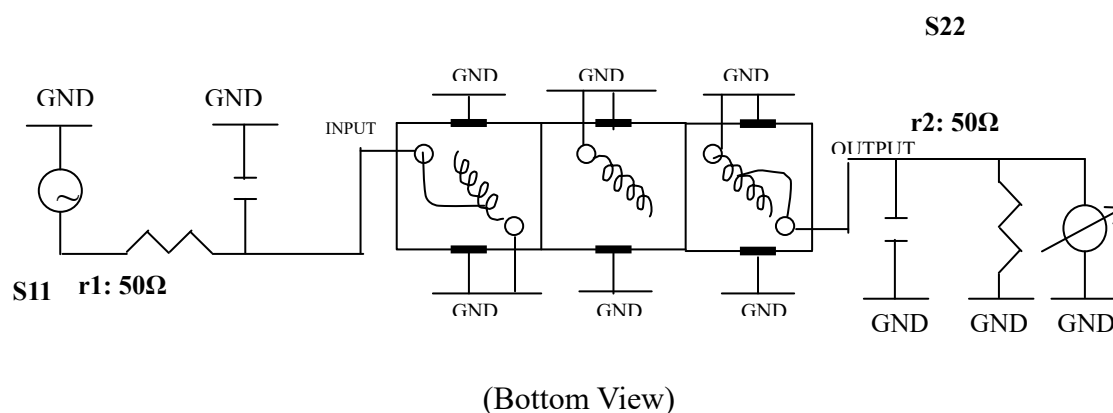
Customer Name		Temwell's Part No.	TT63610E-635M
Approval No. /dated		Temwell's Print name.	63610E 635M
Work Instruction No.	201801047C	Date	Jan.17.2018



(3) Electric Chararistic

Item	Specify
Center Freq.(Fo) +/- 0.5 %	635 MHz
Insertion Loss	Typ. 2.5 dB
-3 dB Bandwidth	Typ. 45 MHz
Sensitivity (Attenuation)	Fo - 70 MHz Typ. 33 dBc
	Fo + 70 MHz Typ. 19 dBc
	Fo - ()MHz Typ. dBc
	Fo +()MHz Typ. dBc
Return Loss	Min. 12 dB
Ripple	< 1 dB
Impedance	In / Out : 50 Ω
(4) Torque for Tuning Screw	> 60gf · cm
(5) Temperature Condition:	
Operating Temperature	0°C ~ +60°C
Storage Temperature	-20°C ~ +70°C
(6) Input Power	> 1 Watt

(7) Measuring Circuit: ※Easy to match Impedance S11/S22 50Ω by parallel with about(--)



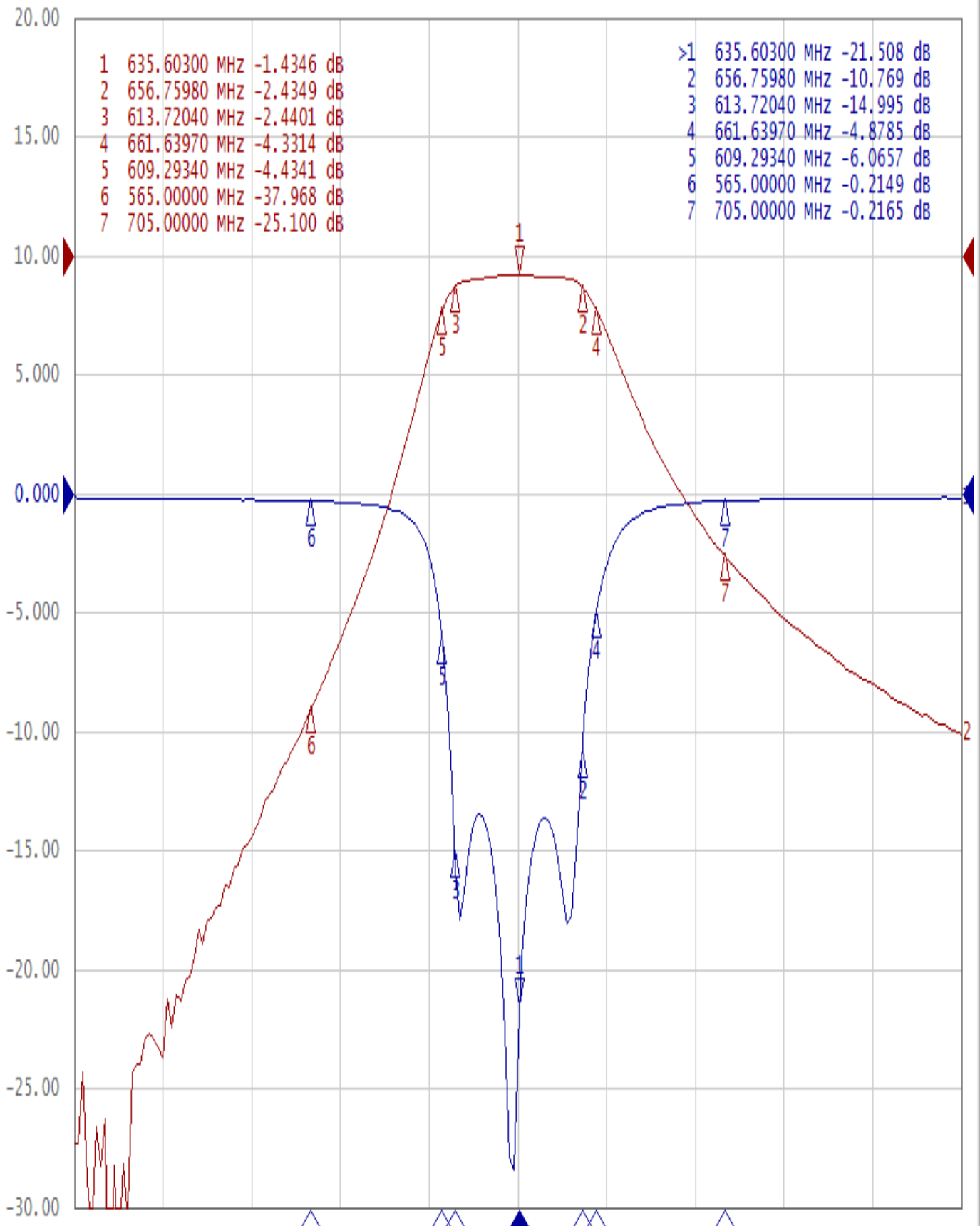
Approval C.Y.Chang	Supervisor C.K.Chang	Designer C.S.Chang	Aperture size 7H3S(4*6.5)(6.56) 7H046RB5.5
-----------------------	-------------------------	-----------------------	--

TEMWELL CORPORATION

Performance-TT63610E-635M

201609070CD

Tr1 S11 Log Mag 5.000dB/ Ref 0.000dB [F2]
Tr2 S21 Log Mag 10.00dB/ Ref 0.000dB [F2]



1 Center 635 MHz

IFBW 70 kHz

Span 300 MHz Cor!