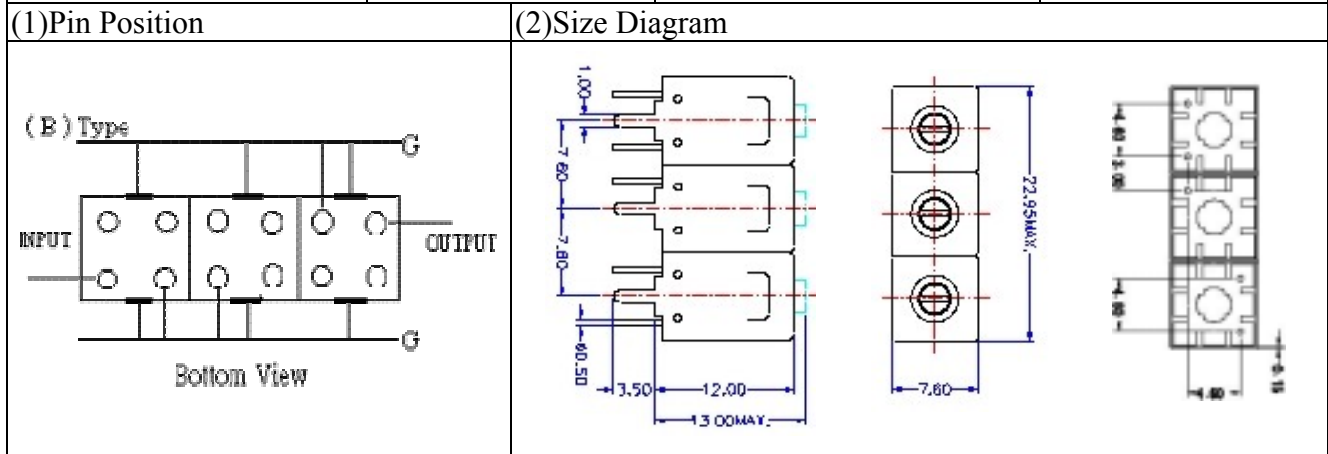
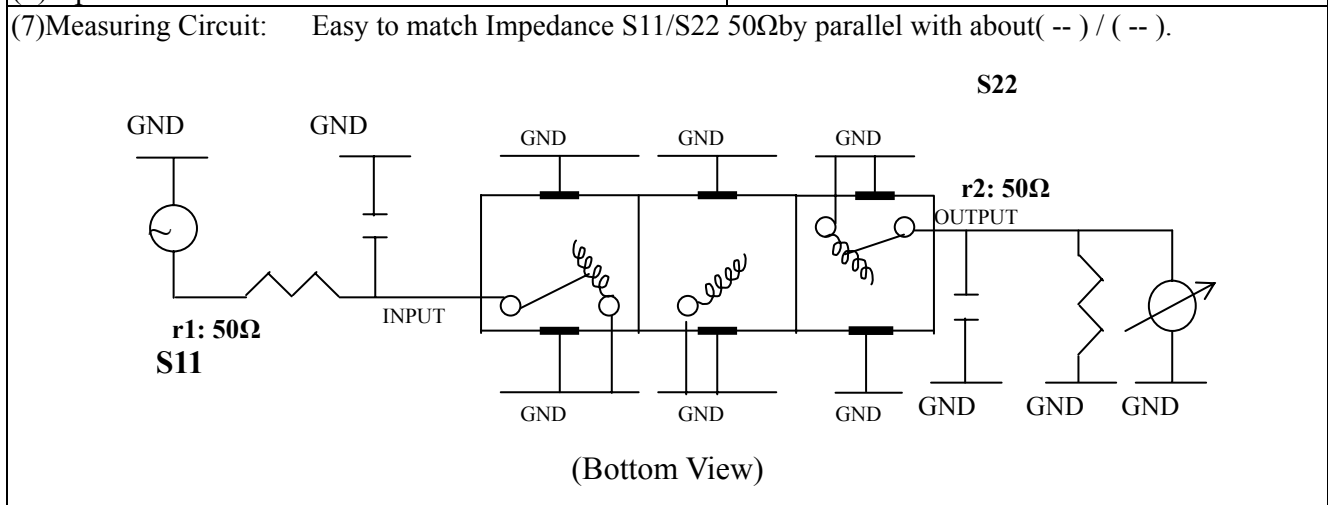


VHF UHF Helical Filter Specification Sheet

Customer Name		Temwell's Part No.	TT63449B-860M
Approval No. /dated		Temwell's Print name.	63449B 860M
Work Instruction No.	201201053CD	Date	Mar.28.2012



(3) Electric Charasteric	
Item	Specify
Center Freq.(Fo) +/- 0.5 %	860 MHz
Insertion Loss	Typ. 3.0 dB
-3 dB Bandwidth	Typ. 20 MHz
Sensitivity (Attenuation)	Fo - (50) MHz Typ. 23 dBc
	Fo + (50) MHz Typ. 20 dBc
	Fo - () MHz Typ. dBc
	Fo + () MHz Typ. dBc
Return Loss	Min. 12 dB
Ripple	< 1 dB
Impedance	In / Out : 50 Ω
(4) Torque for Tuning Screw	> 60gf cm
(5) Temperature Condition:	
Operating Temperature	0 ~ +60
Storage Temperature	-20 ~ +70
(6) Input Power	> 1Watt



Approval C.Y.Chang	Supervisor C.K.Chang	Designer F.L.Lai	Aperture size 7H3S(4*5.35)(5.39) 7H046RB4
TEMWELL CORPORATION			

Performance-TT63449B-860M

201201053CD

