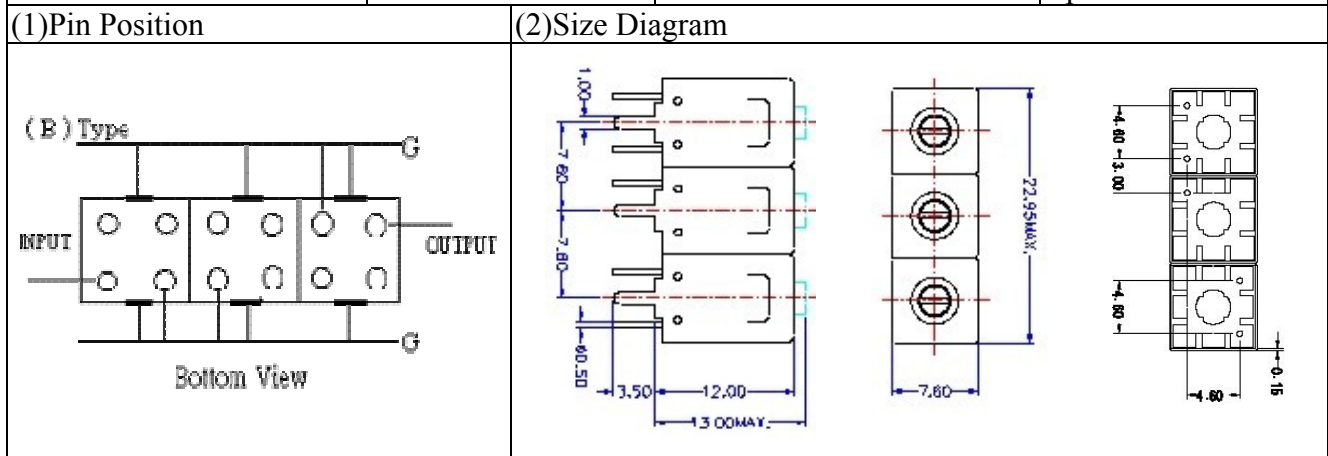


# VHF UHF Helical Filter Specification Sheet

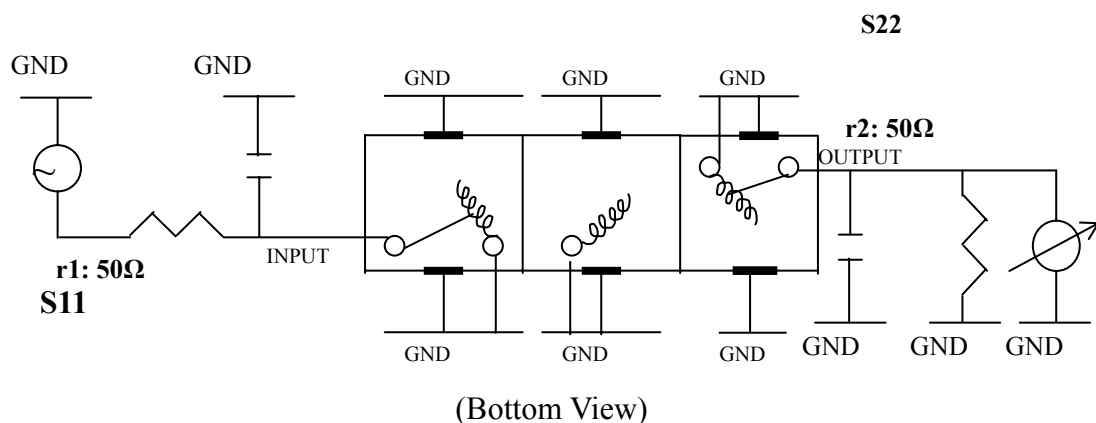
Customer Name		Temwell's Part No.	TT63447B-160M
Approval No. /dated	201201050CD	Temwell's Print name.	63447B 160M
Work Instruction No.	201201050CD	Date	Apr.02.2012



(3) Electric Charasteric

Item	Specify	
Center Freq.(Fo ) +/- 0.5 %	160	MHz
Insertion Loss	Typ. 2.5	dB
-3 dB Bandwidth	Typ. 20	MHz
Sensitivity (Attenuation )	Fo - 50 MHz	Typ. 45 dBc
	Fo + 50 MHz	Typ. 46 dBc
	Fo - ( ) MHz	Typ. dBc
	Fo + ( ) MHz	Typ. dBc
Return Loss	Min. 12	dB
Ripple	< 1	dB
Impedance	In / Out : 50 Ω	
(4)Torque for Tuning Screw	> 60gf cm	
(5)Temperature Condition:		
Operating Temperature	0 ~ +60	
Storage Temperature	-20 ~ +70	
(6)Input Power	> 1Watt	

(7)Measuring Circuit: Easy to match Impedance S11/S22 50Ωby parallel with about( -- ) / ( -- ).



Approval C.Y.Chang	Supervisor C.K.Chang	Designer C.S.Chang	Aperture size 7H3S(4*5.5)(5.58) 7H024LB6.5
-----------------------	-------------------------	-----------------------	--

TEMWELL CORPORATION

# Performance-TT63447B-160M

## 201201050CD

