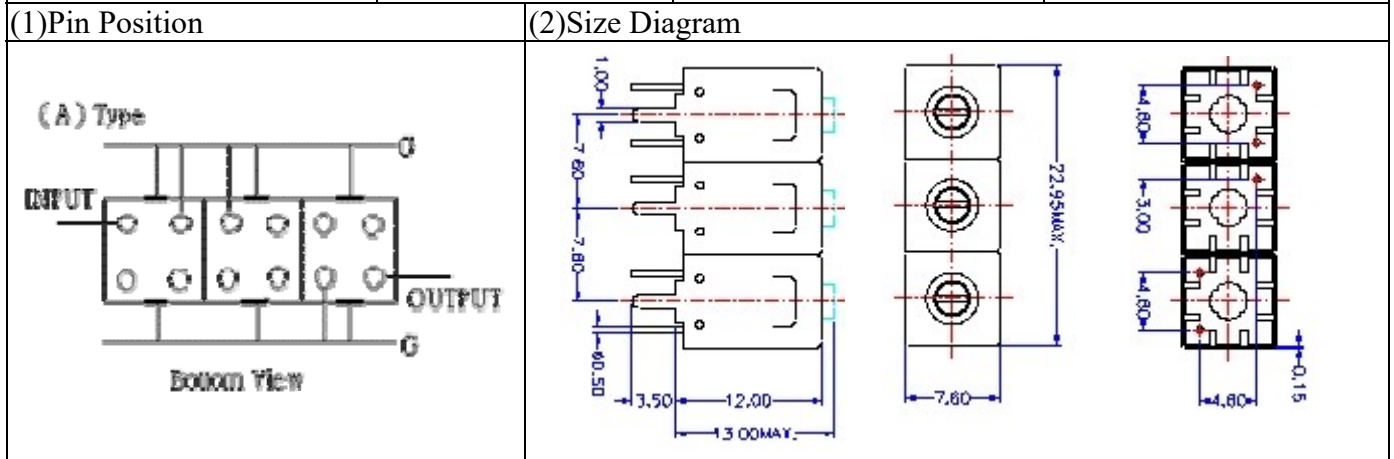


VHF UHF Helical Filter Specification Sheet

Customer Name		Temwell's Part No.	TT63424A-915M
Approval No. /dated		Temwell's Print Name	63424A 915M
Work Instruction No.	201201015A	Date	Jan.17.2012



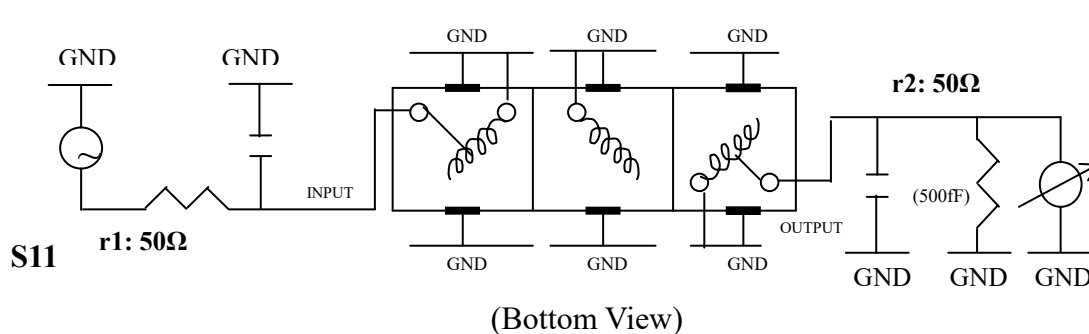
(3) Electric Characteristic		Item	Specify
Center Freq.(Fo) +/- 0.75 %			915 MHz
Insertion Loss		Typ.	3.0 dB
-3 dB Bandwidth		Typ.	40 MHz
Sensitivity (Attenuation)	Fo - 50 MHz	Typ.	20 dBc
	Fo + 50 MHz	Typ.	15 dBc
	Fo - ()MHz	Typ.	dBc
	Fo + ()MHz	Typ.	dBc
Return Loss		Min.	12 dB
Ripple			< 1 dB
Impedance			In / Out : 50 Ω

(4) Torque for Tuning Screw > 100gf · cm

(5) Temperature Condition:	
Operating Temperature	-30°C ~ +60°C
Storage Temperature	-30°C ~ +70°C

(6) Input Power > 1Watt

(7) Measuring Circuit: ※Easy to match Impedance S11/S22 50Ω/ by parallel with about(-) (500fF)

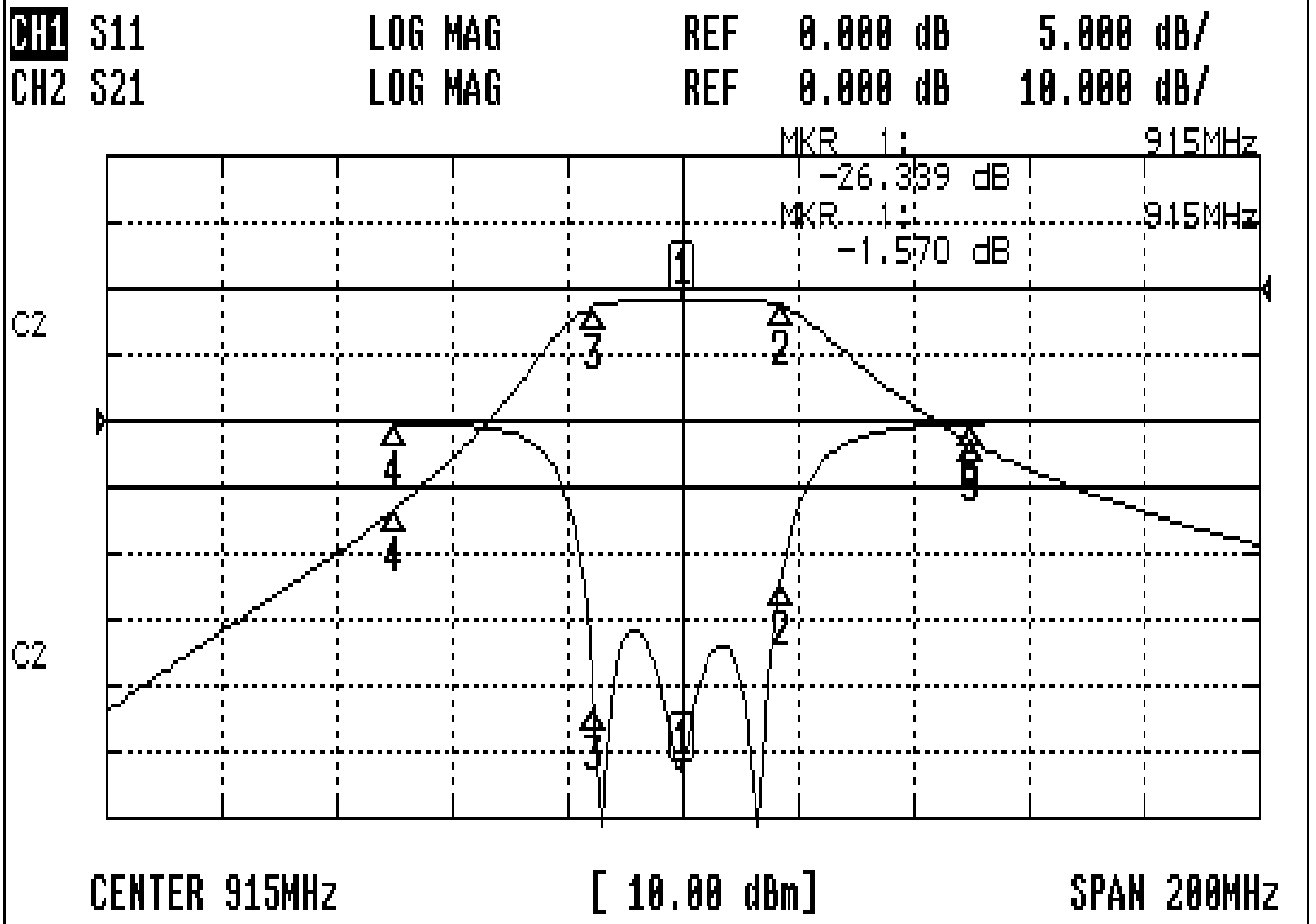


Approval	Supervisor	Designer	Aperture size
C.Y.Chang	C.K.Chang	F.L.Lai	7H3S(4*7.35)(7.39) 7H046LB4.3 聚 3

TEMWELL CORPORATION

Performance-TT63424A-915M

201201015A



CH1 MARKER LIST

1	915.000MHz	-26.312 dB
2	932.000MHz	-12.260 dB
3	949.833MHz	-21.809 dB
4	965.000MHz	-0.153 dB
5	965.000MHz	-0.189 dB

CH2 MARKER LIST

1	915.000MHz	-1.570 dB
2	932.000MHz	-2.554 dB
3	949.833MHz	-2.554 dB
4	965.000MHz	-33.353 dB
5	965.000MHz	-23.091 dB