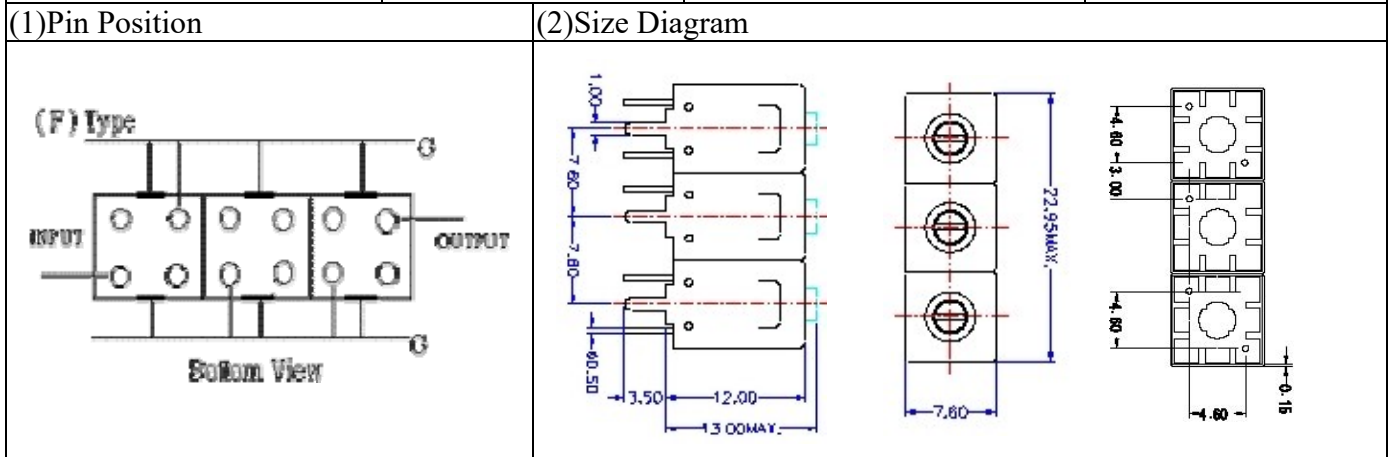


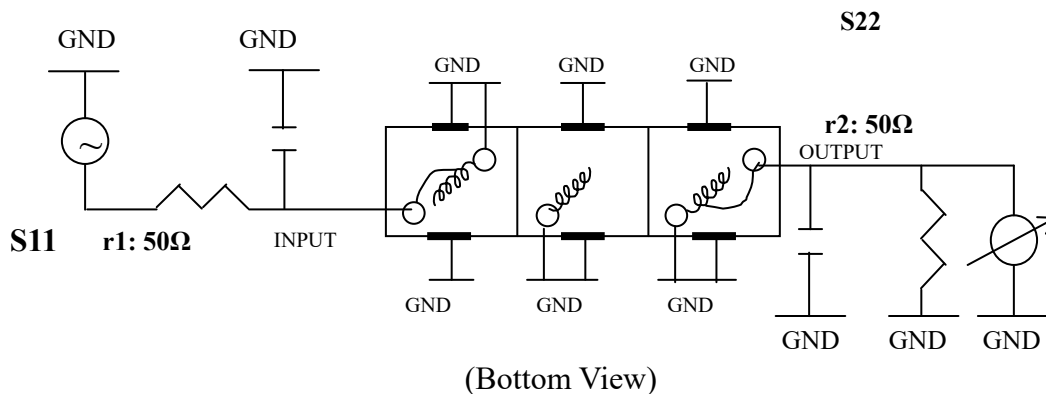
# VHF UHF Helical Filter Specification Sheet

Customer Name		Temwell's Part No.	TT63383F-895M
Approval No. /dated		Temwell's print name	63383F 895M
Work Instruction No.	201411022C	Date	Nov.14.2014



(3) Electric Chararctic	
Item	Specify
Center Freq.(Fo) +/- 0.5 %	895 MHz
Insertion Loss	Typ. 2.0 dB
-3 dB Bandwidth	Typ. 100 MHz
Sensitivity (Attenuation)	Fo - 200 MHz Typ. 30 dBc
	Fo + 200 MHz Typ. 40 dBc
	Fo - ( )MHz Typ. dBc
	Fo +( )MHz Typ. dBc
Return Loss	Min. 12 dB
Ripple	< 1 dB
Impedance	In / Out : 50 Ω
(4) Torque for Tuning Screw	> 60gf · cm
(5) Temperature Condition:	
Operating Temperature	0°C ~ +60°C
Storage Temperature	-20°C ~ +70°C
(6) Input Power	> 1 Watt

(7) Measuring Circuit: ※Easy to match Impedance S11/S22 50Ω by parallel with about( -- )



Approval	Supervisor	Designer	Aperture size
C.Y.Chang	C.K.Chang	F.L.Lai	7H3S(4*5.35)(5.38) 7H046RB6.5 (J1)

TEMWELL CORPORATION

# Performance-TT63383F-895M

201411022C

