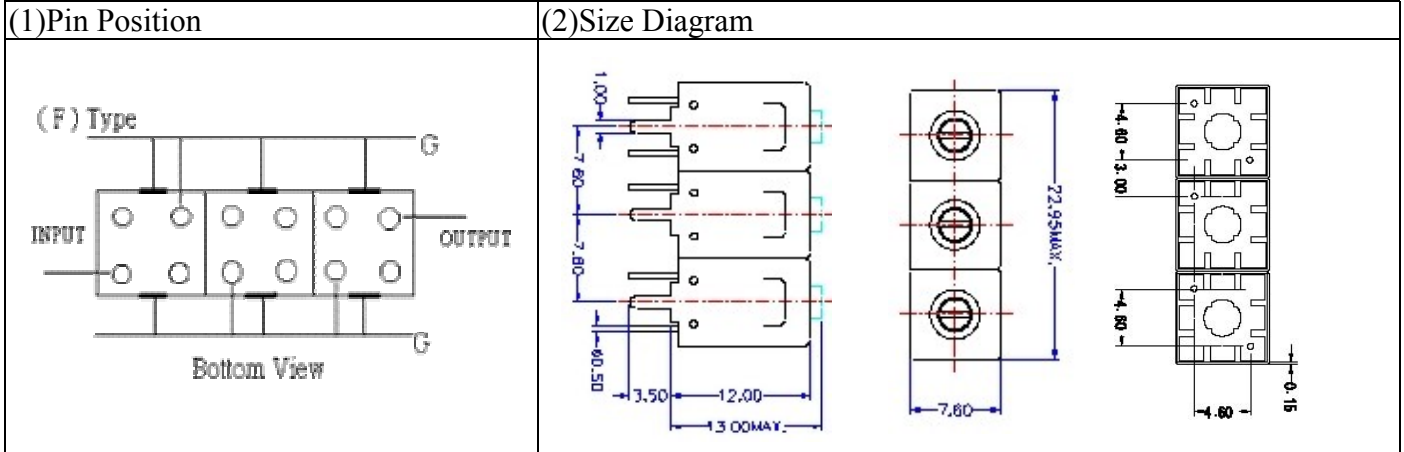


VHF UHF Helical Filter Specification Sheet

Customer Name		Temwell's Part No.	TT63362F-1300M
Approval No. /dated		Temwell's print name	63362F 1300M
Work Instruction No.	201504050C	Date	Feb.19.2016



(3) Electric Chararistic

Item	Specify	
Center Freq.(Fo) +/- 0.5 %	1300	MHz
Insertion Loss	Typ. 2.0	dB
-3 dB Bandwidth	Typ. 200	MHz
Sensitivity (Attenuation)	Fo - 400 MHz	Typ. 45 dBc
	Fo + 400 MHz	Typ. 25 dBc
	Fo - ()MHz	Typ. dBc
	Fo +()MHz	Typ. dBc
Return Loss	Min. 12	dB
Ripple	< 1	dB
Impedance	In / Out : 50 Ω	

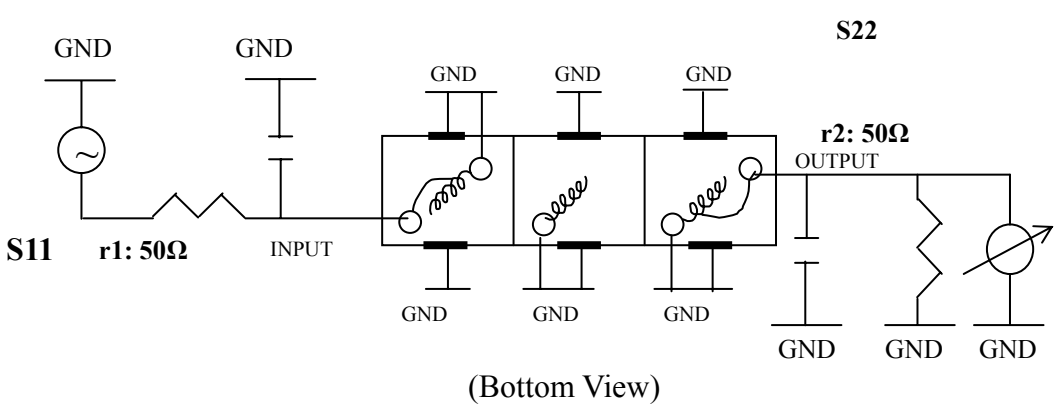
(4) Torque for Tuning Screw > 100gf cm

(5) Temperature Condition:

Operating Temperature	0 ~ +60
Storage Temperature	-20 ~ +70

(6) Input Power > 1Watt

(7) Measuring Circuit: Easy to match Impedance S11/S22 50Ω by parallel with about(---)



Approval C.Y.Chang	Supervisor C.K.Chang	Designer C.S.Chang	Aperture size 7H3(4*8.0)(8.01) 7H046RB6.5-J1
-----------------------	-------------------------	-----------------------	--

TEMWELL CORPORATION

Performance-TT63362F-1300M

201504050C

