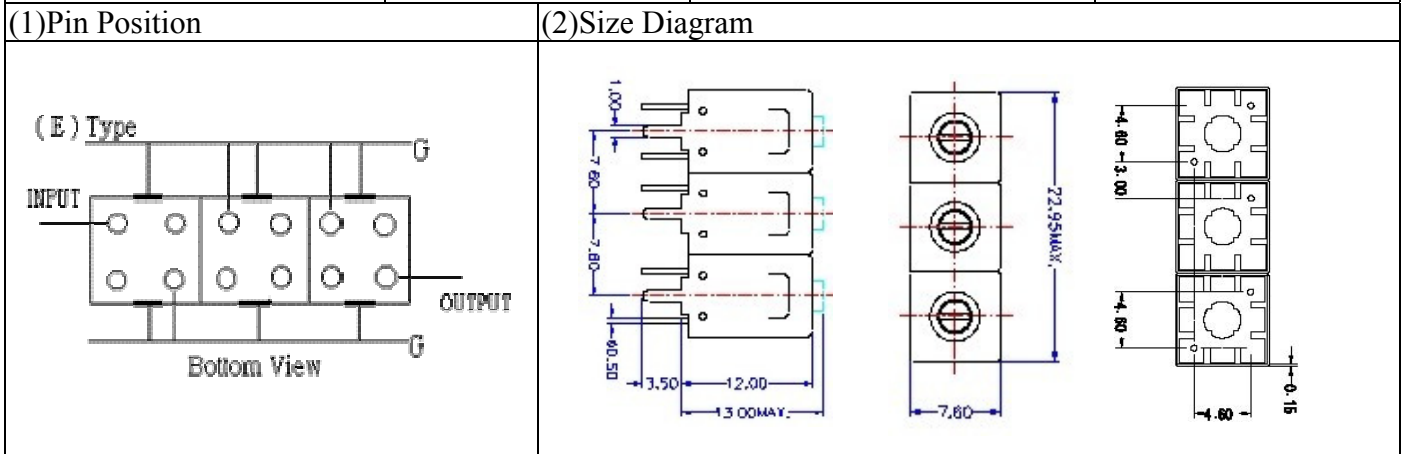


VHF UHF Helical Filter Specification Sheet

Customer Name		Temwell's Part No.	TT63329E-700M
Approval No. /dated	201406009CD	Customer's Part No.	63329E 700M
Work Instruction No.	201406009CD	Date	Jun.13.2014



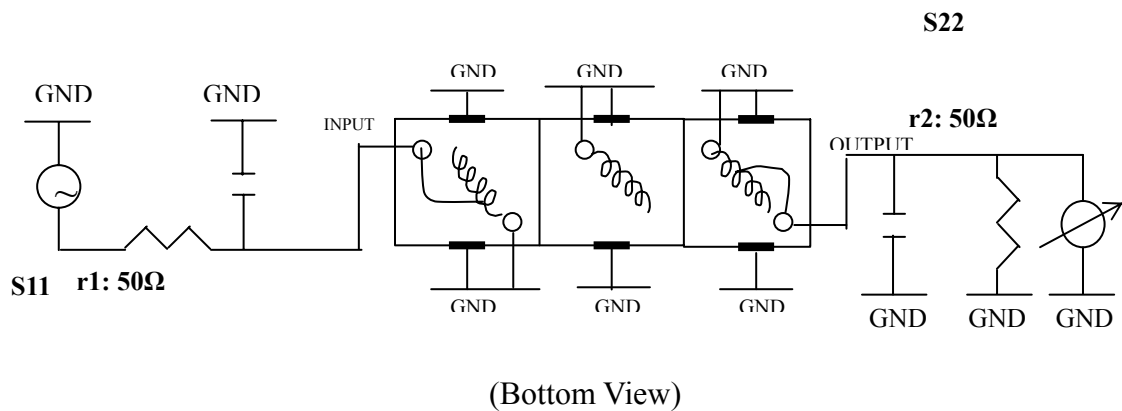
(3) Electric Characteristic		Item	Specify
Center Freq.(Fo) +/- 0.5 %			700 MHz
Insertion Loss		Typ.	2.0 dB
-3 dB Bandwidth		Typ.	80 MHz
Sensitivity (Attenuation)	Fo -100 MHz	Typ.	22 dB
	Fo +100 MHz	Typ.	21 dB
	Fo - ()MHz	Typ.	dBc
	Fo +()MHz	Typ.	dBc
Return Loss		Min.	12 dB
Ripple			< 1 dB
Impedance			In / Out : 50 Ω

(4) Torque for Tuning Screw >100gf · cm

(5) Temperature Condition:	
Operating Temperature	0°C ~ +60°C
Storage Temperature	-20°C ~ +70°C

(6) Input Power > 1Watt

(7) Measuring Circuit: ※Easy to match Impedance S11/S22 50Ω by parallel with about(- -).



Approval C.Y.Chang	Supervisor C.K.Chang	Designer C.Ko.Chang	Aperture size 7H3S(4*7.5)(7.53) 7H046LB5.5
-----------------------	-------------------------	------------------------	--

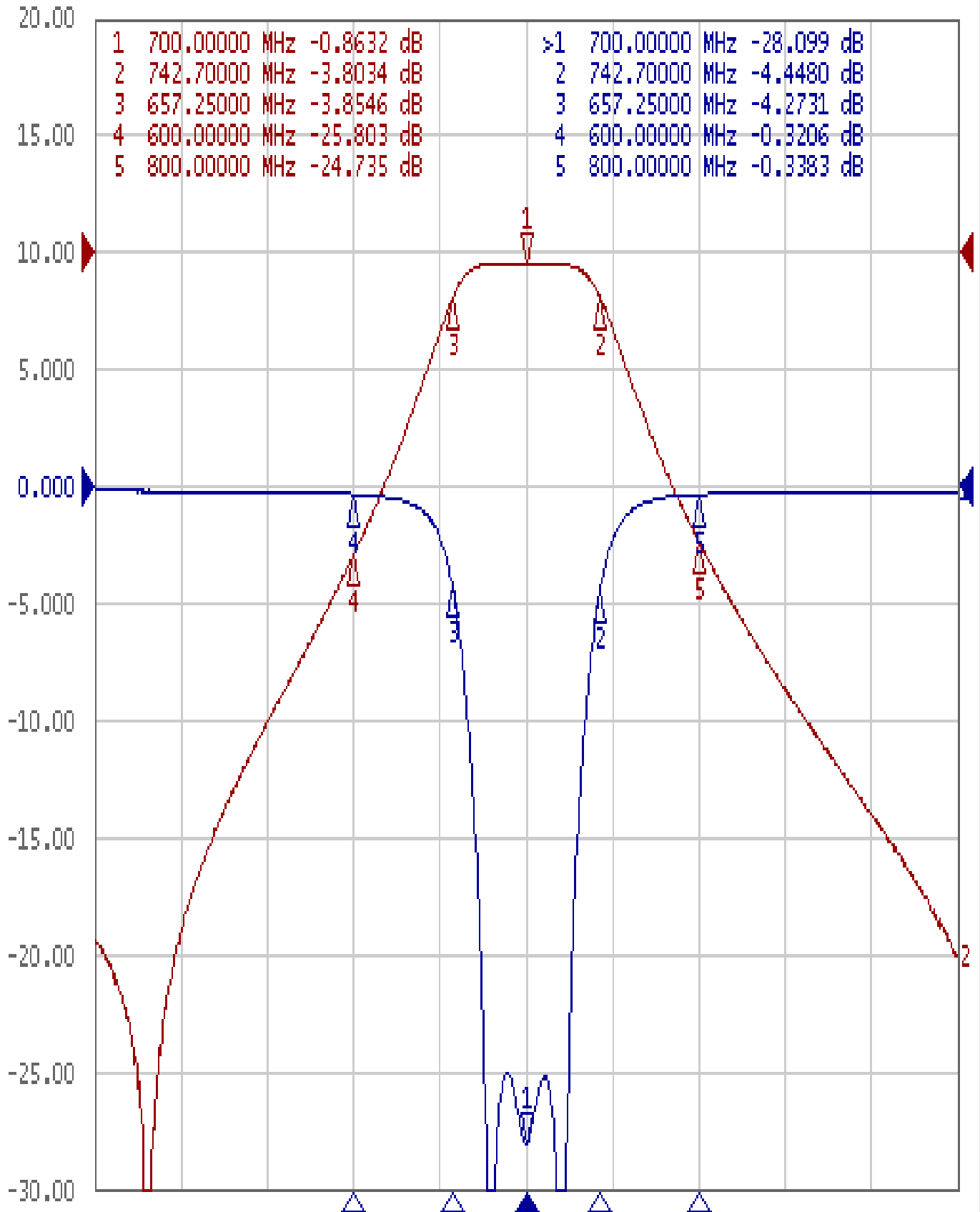
TEMWELL CORPORATION

Performance-TT63329E-700M

201406009CD

Tr1 S11 Log Mag 5.000dB/ Ref 0.000dB [F2]

Tr2 S21 Log Mag 10.00dB/ Ref 0.000dB [F2]



1 Center 700 MHz

IFBW 10 kHz

Span 500 MHz Cor !