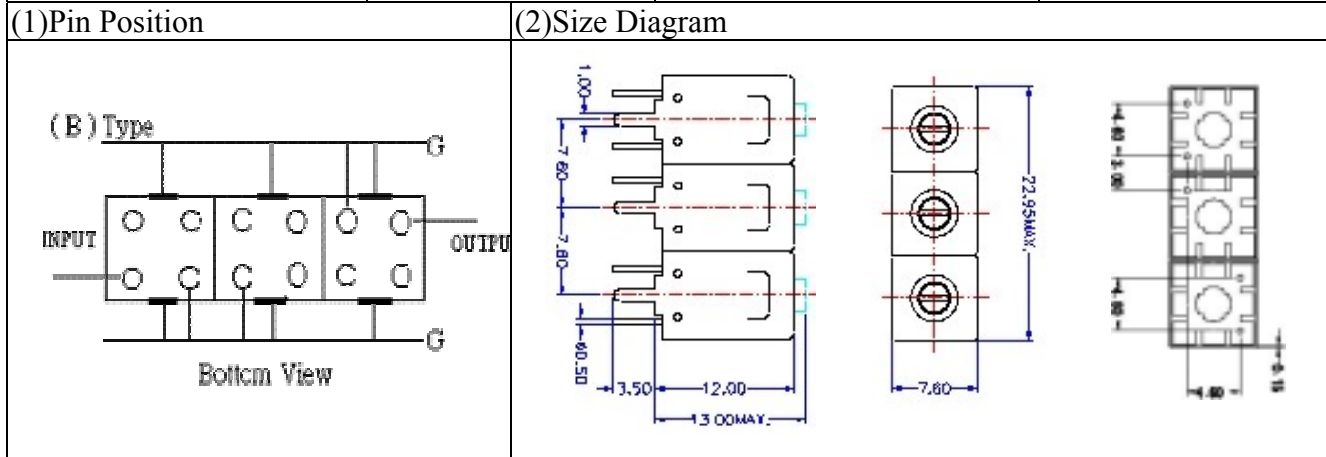
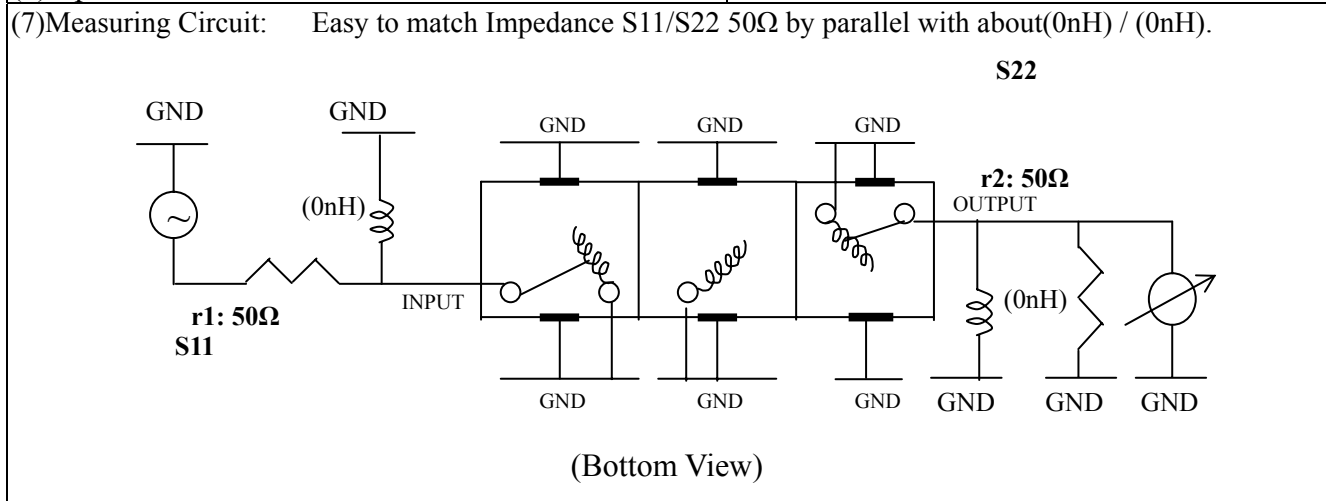


VHF UHF Helical Filter Specification Sheet

Customer Name		Temwell's Part No.	TT63213B-161M
Approval No. /dated	0911001APR	Temwell's Print name	63213B 161M
Work Instruction No.	200911001BD	Date	Nov.03.2009



(3) Electric Characteristic	
Item	Specify
Center Freq.(Fo) +/- 0.5 %	161 MHz
Insertion Loss	Typ. 2.0 dB
-3 dB Bandwidth	Typ. 28 MHz
Sensitivity (Attenuation)	Fo - 50 MHz Typ. 39 dBc
	Fo + 50 MHz Typ. 25 dBc
	Fo - ()MHz Typ. dBc
	Fo +()MHz Typ. dBc
Return Loss	Min. 12 dB
Ripple	< 1 dB
Impedance	In / Out : 50 Ω
(4) Torque for Tuning Screw > 100gf cm	
(5) Temperature Condition:	
Operating Temperature	0 ~ +60
Storage Temperature	-20 ~ +70
(6) Input Power > 1Watt	

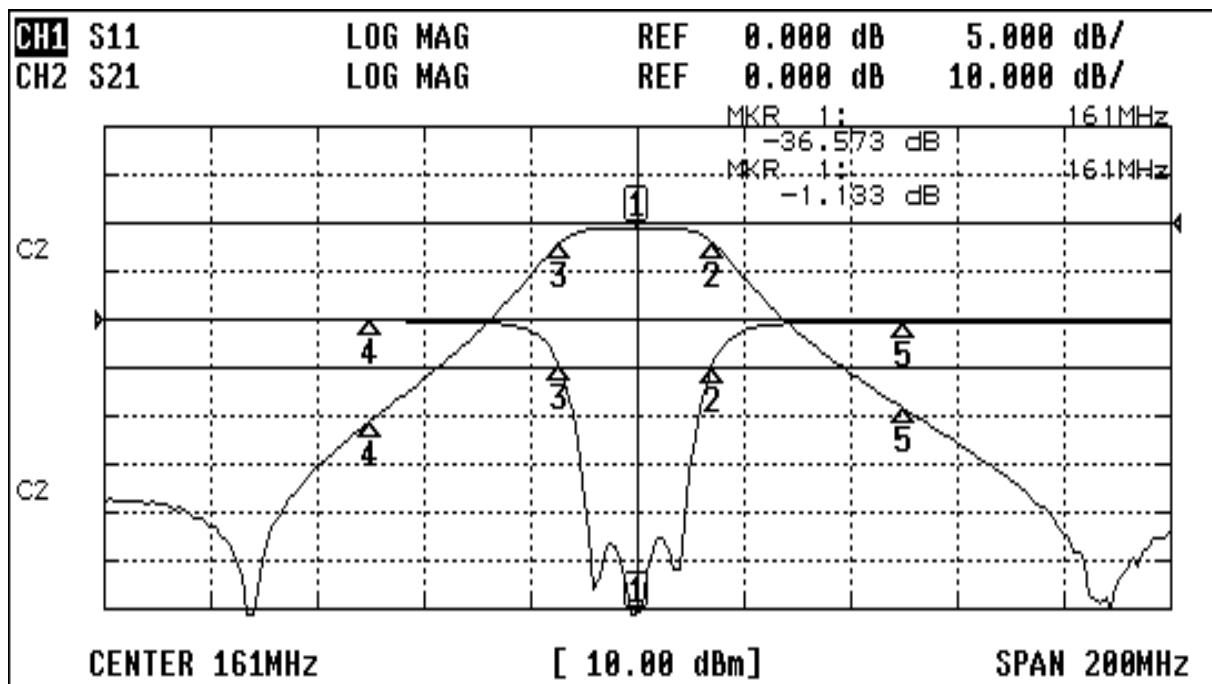


Approval	Supervisor	Designer	Aperture size
C.Y.Chang	C.K.Chang	P.H.Chiang	7H3(4*5.5)(5.53) 7H024LB6.5

TEMWELL CORPORATION

Performance-TT63213B-161M

200911001BD



CH1 MARKER LIST

1	161.000MHz	-36.573 dB
2	175.166MHz	-4.906 dB
3	146.500MHz	-4.704 dB
4	111.000MHz	-0.114 dB
5	211.000MHz	-0.200 dB

CH2 MARKER LIST

1	161.000MHz	-1.133 dB
2	175.166MHz	-4.112 dB
3	146.500MHz	-4.145 dB
4	111.000MHz	-41.130 dB
5	211.000MHz	-38.468 dB