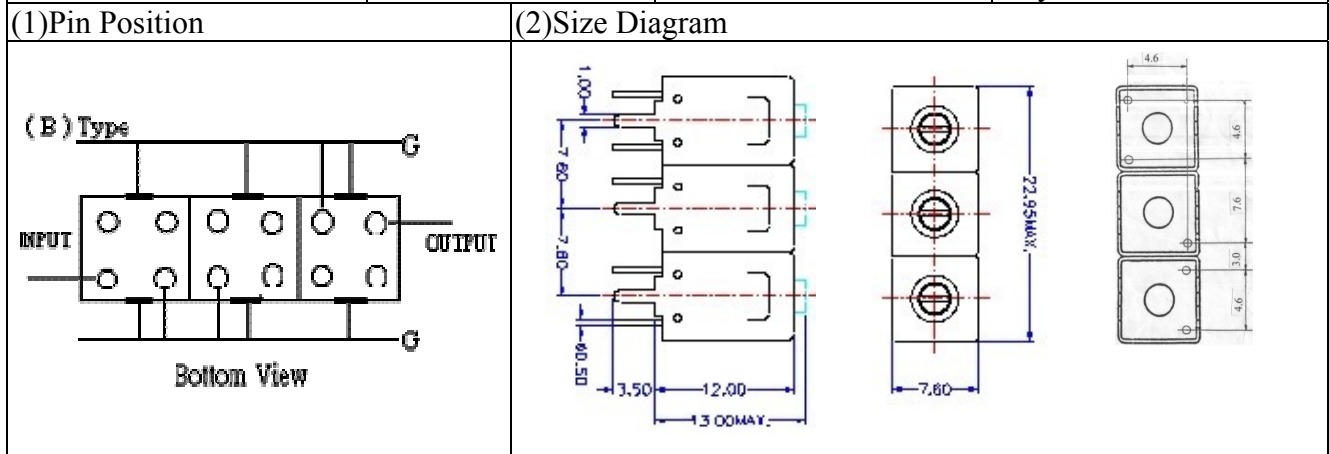
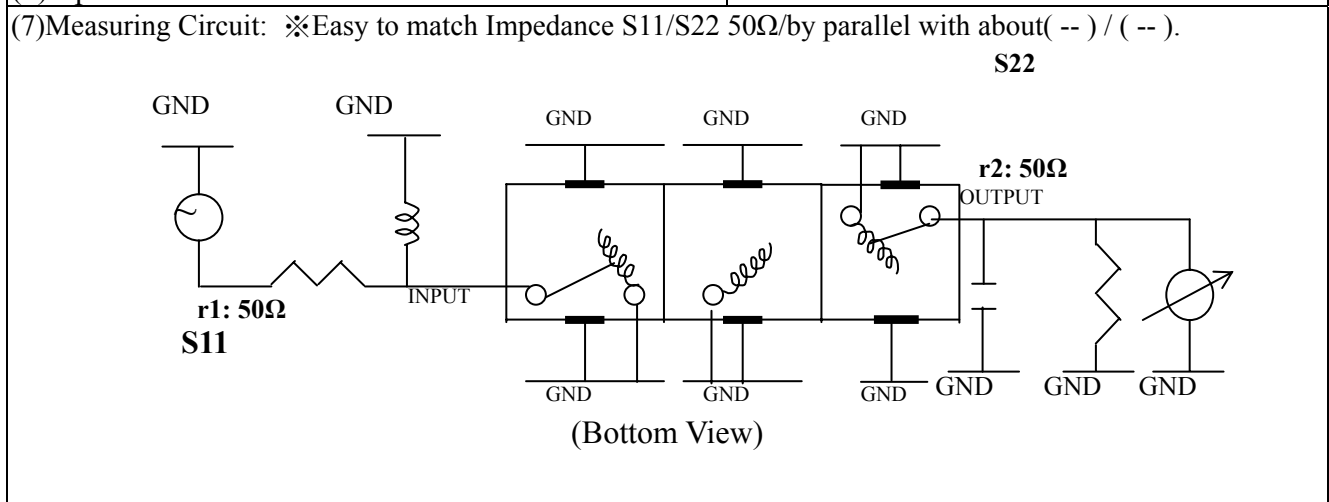


VHF UHF Helical Filter Specification Sheet

Customer Name		Temwell's Part No.	TT63210B-943M
Approval No. /dated		Temwell's print name	63210B 943M
Work Instruction No.	201205020BD	Date	May.03.2012



(3) Electric Character	
Item	Specify
Center Freq.(Fo) +/- 0.5 %	943 MHz
Insertion Loss	Typ. 2.5 dB
-3 dB Bandwidth	Typ. 50 MHz
Sensitivity (Attenuation)	Fo - 100 MHz Typ. 36 dBc
	Fo + 100 MHz Typ. 25 dBc
	Fo - ()MHz Typ. dBc
	Fo +()MHz Typ. dBc
Return Loss	Min. 12 dB
Ripple	< 1 dB
Impedance	In / Out : 50 Ω
(4) Torque for Tuning Screw	> 60gf · cm
(5) Temperature Condition:	
Operating Temperature	0°C ~ +60°C
Storage Temperature	-20°C ~ +70°C
(6) Input Power	> 1Watt



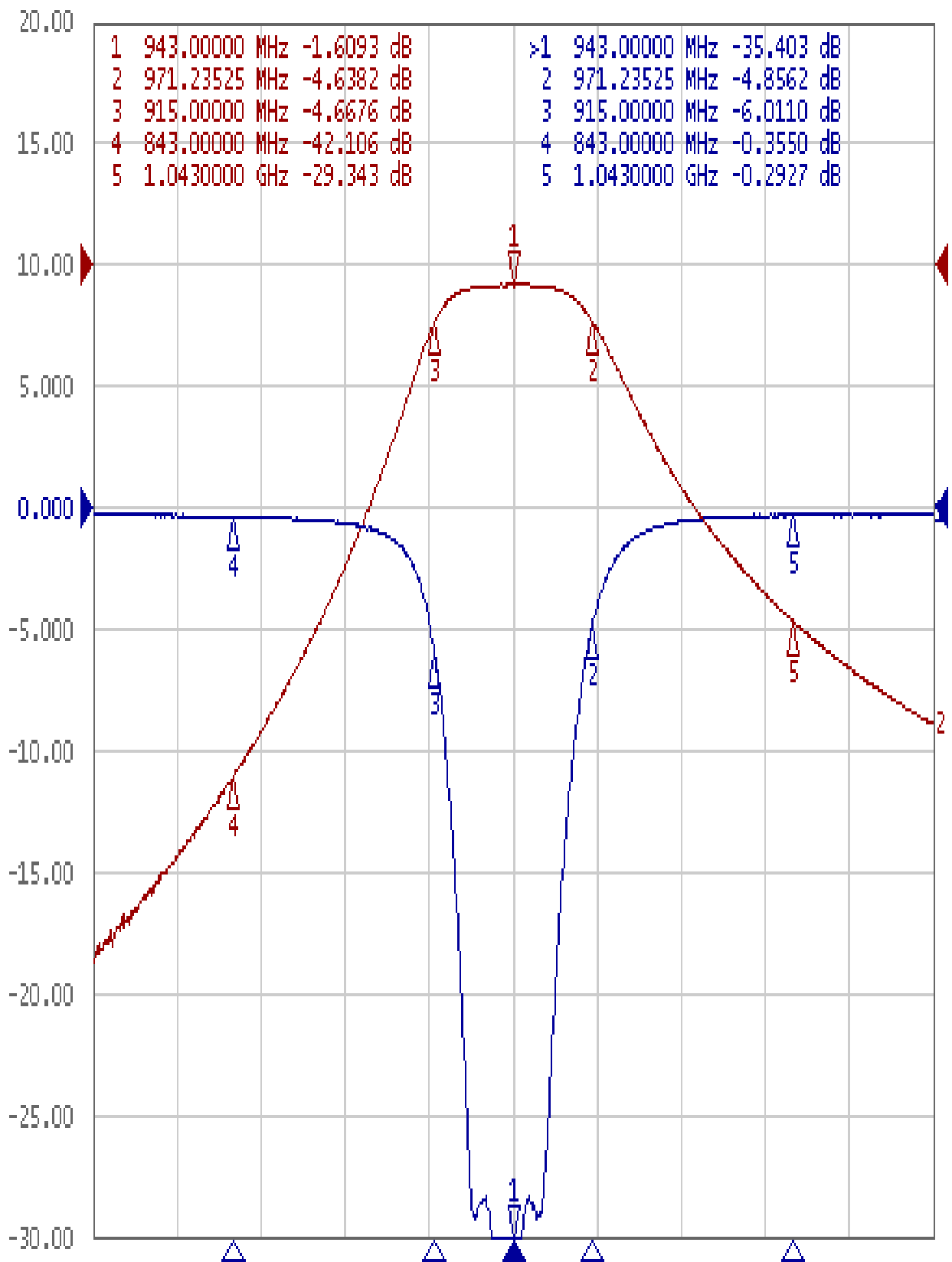
Approval C.Y.Chang	Supervisor C.K.Chang	Designer F.L.Lai	Aperture size 7H3S(4*5.6)(5.69) 7H046RB5.5
-----------------------	-------------------------	---------------------	--

TEMWELL CORPORATION

Performance-TT63210B-943M

201205020BD

Tr1 S11 Log Mag 5.000dB/ Ref 0.000dB [F2]
Tr2 S21 Log Mag 10.00dB/ Ref 0.000dB [F2]



1 Center 943 MHz

IFBW 70 kHz

Span 300 MHz

Cor !