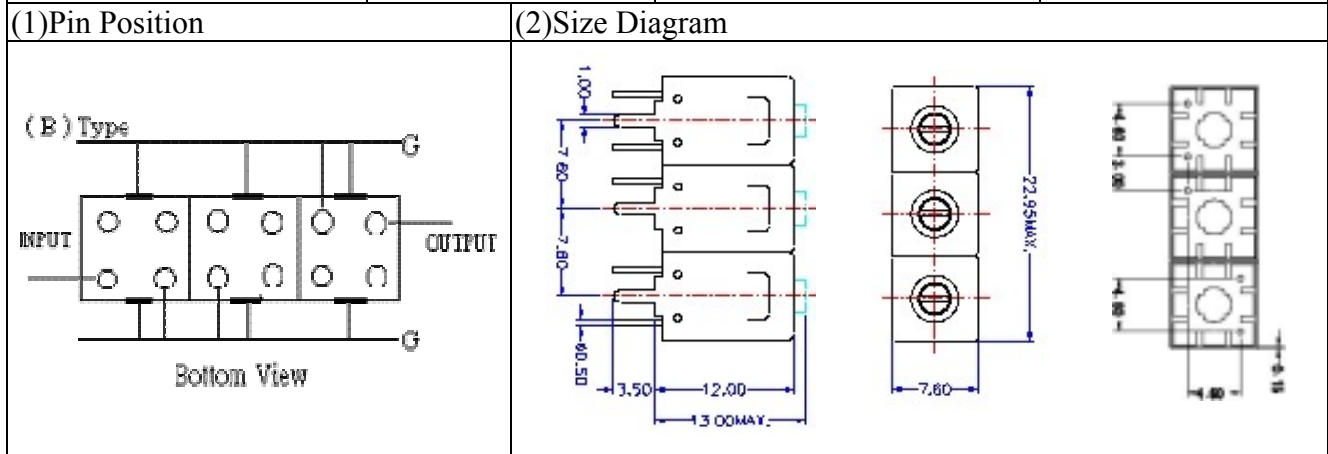
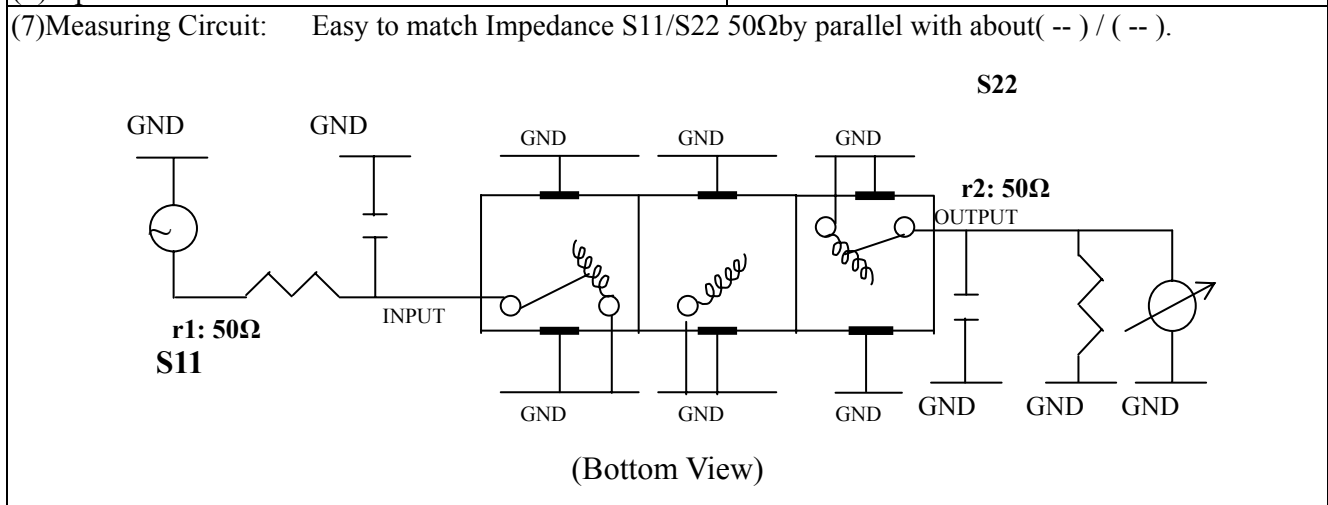


# VHF UHF Helical Filter Specification Sheet

Customer Name		Temwell's Part No.	TT63448B-460M
Approval No. /dated		Temwell's Print name.	63448B 460M
Work Instruction No.	201201051CD	Date	Mar.30.2012



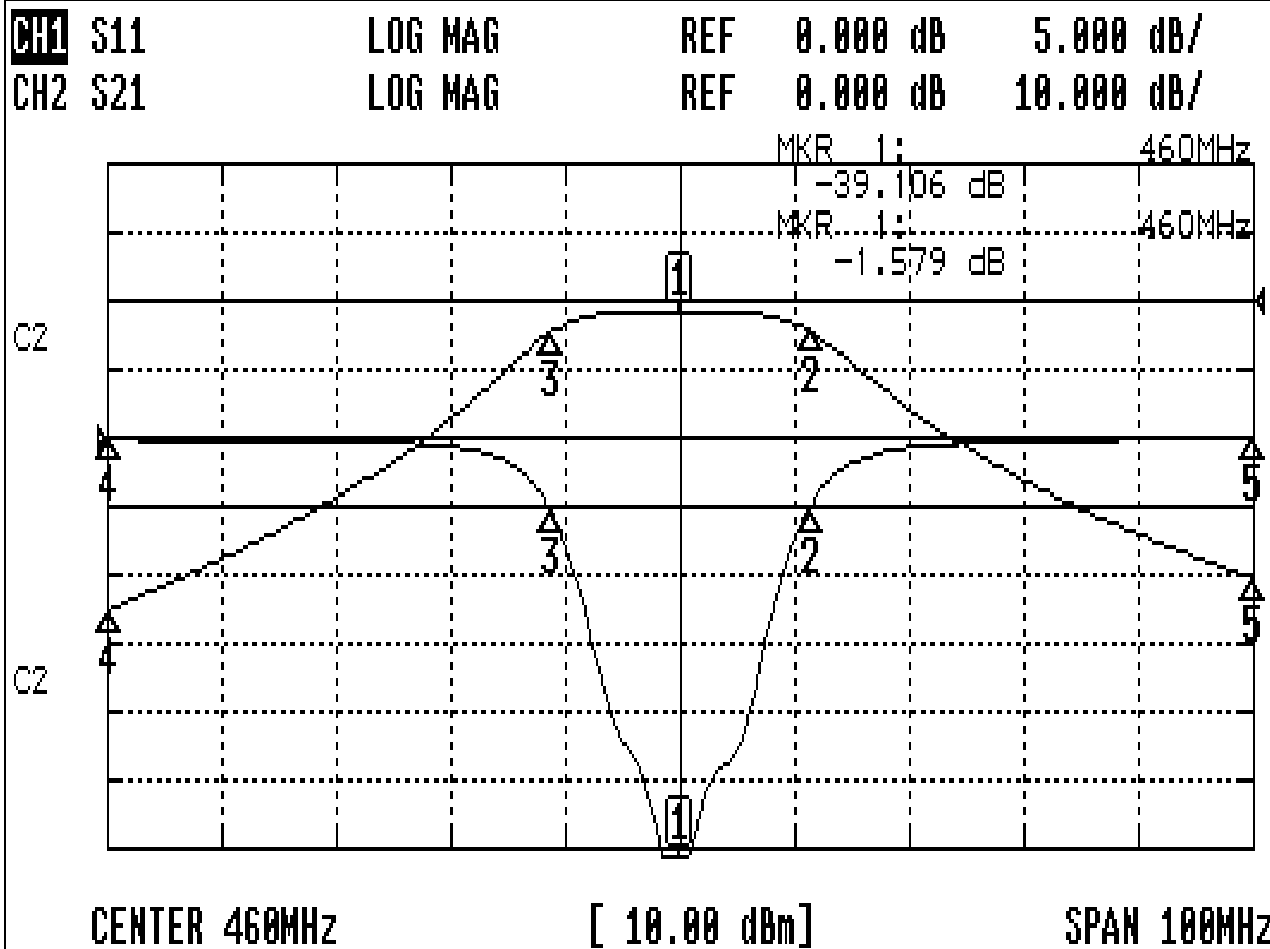
Item		Specify	
Center Freq.(Fo ) +/- 0.5 %		460	MHz
Insertion Loss		Typ. 2.5	dB
-3 dB Bandwidth		Typ. 20	MHz
Sensitivity (Attenuation )	Fo - 50 MHz	Typ. 40	dBc
	Fo + 50 MHz	Typ. 35	dBc
	Fo - ( ) MHz	Typ.	dBc
	Fo + ( ) MHz	Typ.	dBc
Return Loss		Min. 12	dB
Ripple		< 1	dB
Impedance		In / Out : 50 Ω	
(4)Torque for Tuning Screw		> 60gf cm	
(5)Temperature Condition:			
Operating Temperature		0 ~ +60	
Storage Temperature		-20 ~ +70	
(6)Input Power		> 1Watt	



Approval C.Y.Chang	Supervisor C.K.Chang	Designer M.Y.Kang	Aperture size 7H3S(4*6.5)(6.59) 7H046LB4.3 聚 3
TEMWELL CORPORATION			

# Performance-TT63448B-460M

## 201201051CD



### CH1 MARKER LIST

1:	460.000MHz	-39.106 dB
2:	471.416MHz	-15.018 dB
3:	448.750MHz	-15.320 dB
4:	410.000MHz	-0.128 dB
5:	510.000MHz	-0.090 dB

### CH2 MARKER LIST

1:	460.000MHz	-1.579 dB
2:	471.416MHz	-4.587 dB
3:	448.750MHz	-4.594 dB
4:	410.000MHz	-45.292 dB
5:	510.000MHz	-40.527 dB