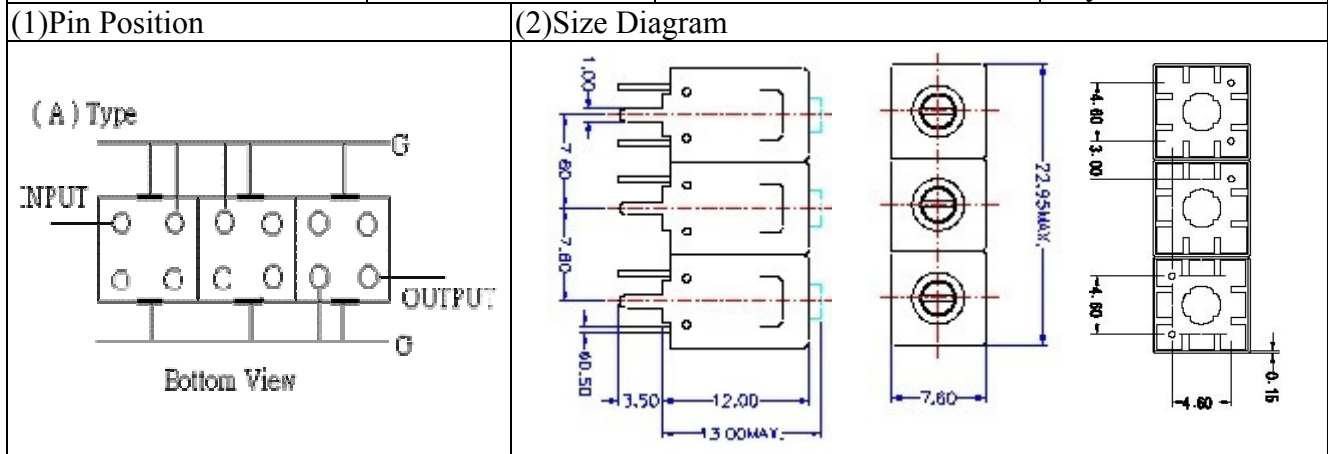
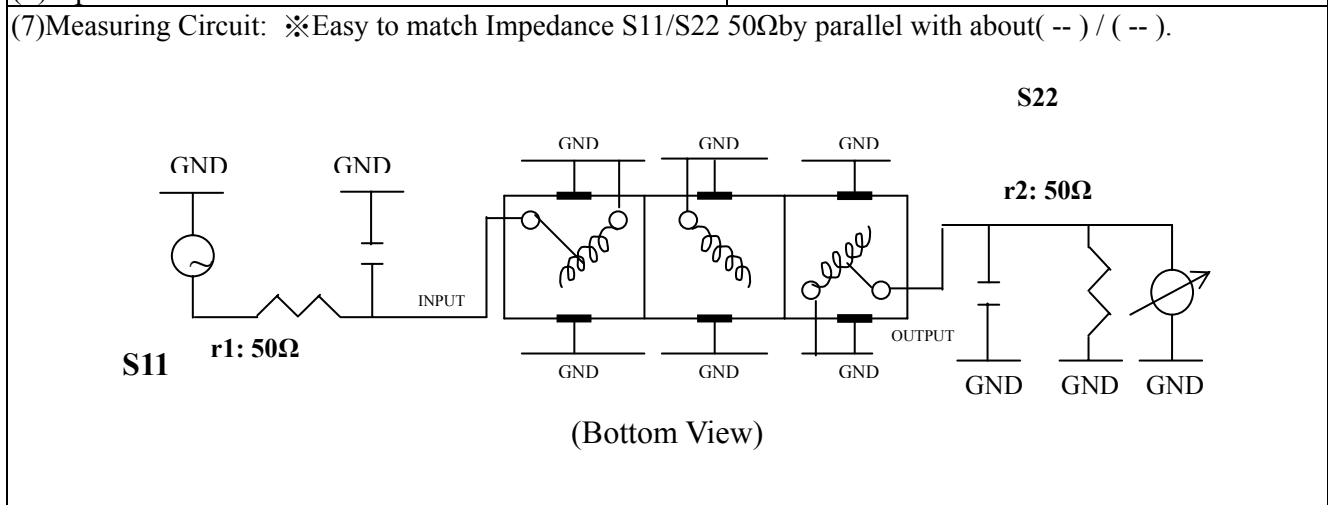


VHF UHF Helical Filter Specification Sheet

Customer Name		Temwell's Part No.	TT63229A-160M
Approval No. /dated		Temwell's Print Name.	63229A 160M
Work Instruction No.	201205068B	Date	May.24.2012



(3) Electric Charasteric		Item	Specify
Center Freq.(Fo) +/- 0.75 %			160 MHz
Insertion Loss		Typ.	3.0 dB
-3 dB Bandwidth		Typ.	9 MHz
Sensitivity (Attenuation)	Fo - 20 MHz	Typ.	41 dBc
	Fo + 20 MHz	Typ.	26 dBc
	Fo - ()MHz	Typ.	dBc
	Fo +()MHz	Typ.	dBc
Return Loss		Min.	12 dB
Ripple			< 1 dB
Impedance			In / Out : 50 Ω
(4) Torque for Tuning Screw			> 60gf • cm
(5) Temperature Condition:			
Operating Temperature			-30°C ~ +70°C
Storage Temperature			-30°C ~ +80°C
(6) Input Power			> 1Watt



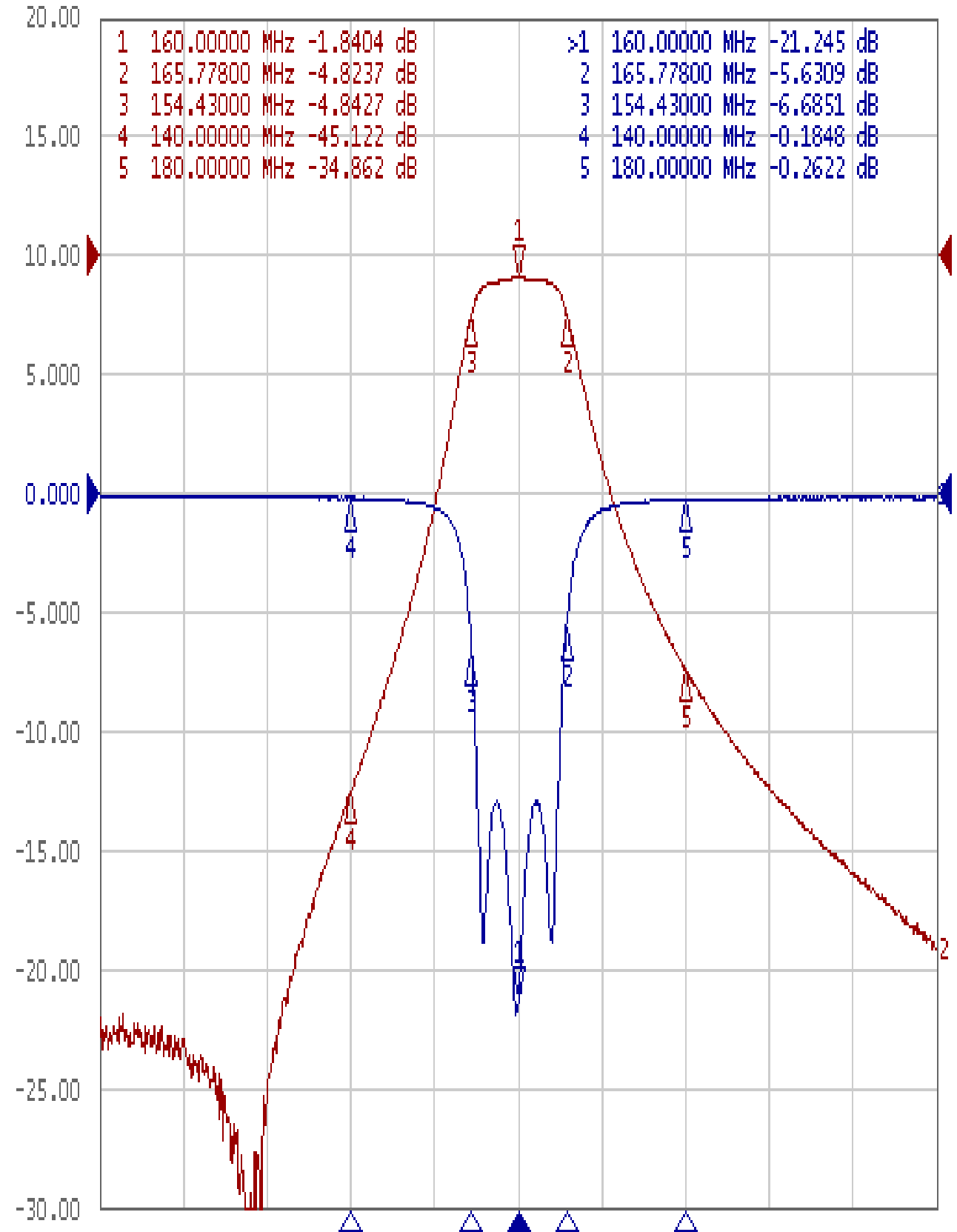
Approval C.Y.Chang	Supervisor C.K.Chang	Designer F.L.Lai	Aperture size 7H3S(4*7.5)(7.54) 7H024LB4
TEMWELL CORPORATION			

Performance-TT63229A-160M

201205068B

Tr1 S11 Log Mag 5.000dB/ Ref 0.000dB [F2]

Tr2 S21 Log Mag 10.00dB/ Ref 0.000dB [F2]



1 Center 160 MHz

IFBW 70 kHz

Span 100 MHz Cor !