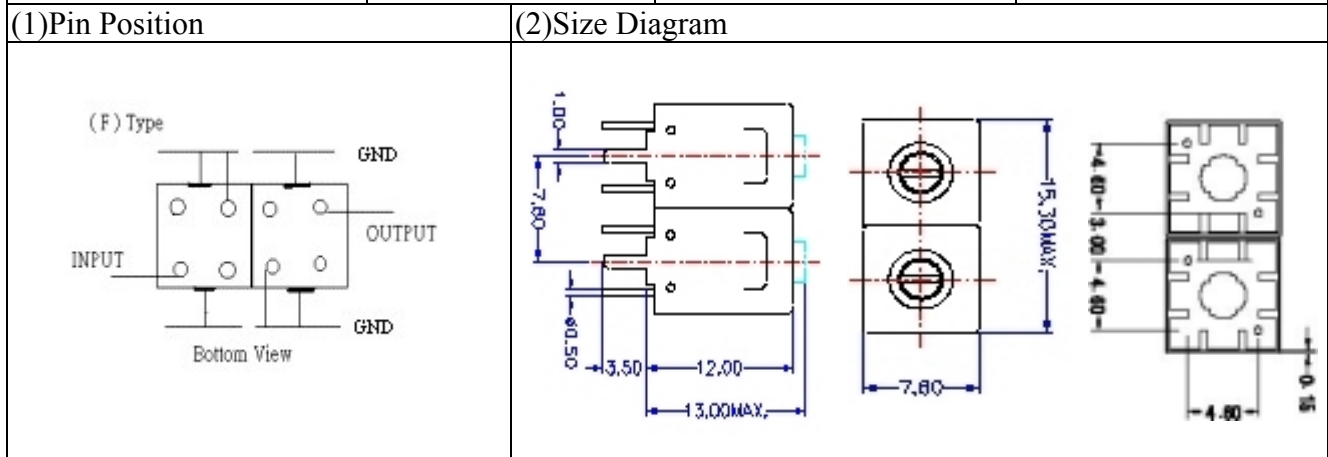
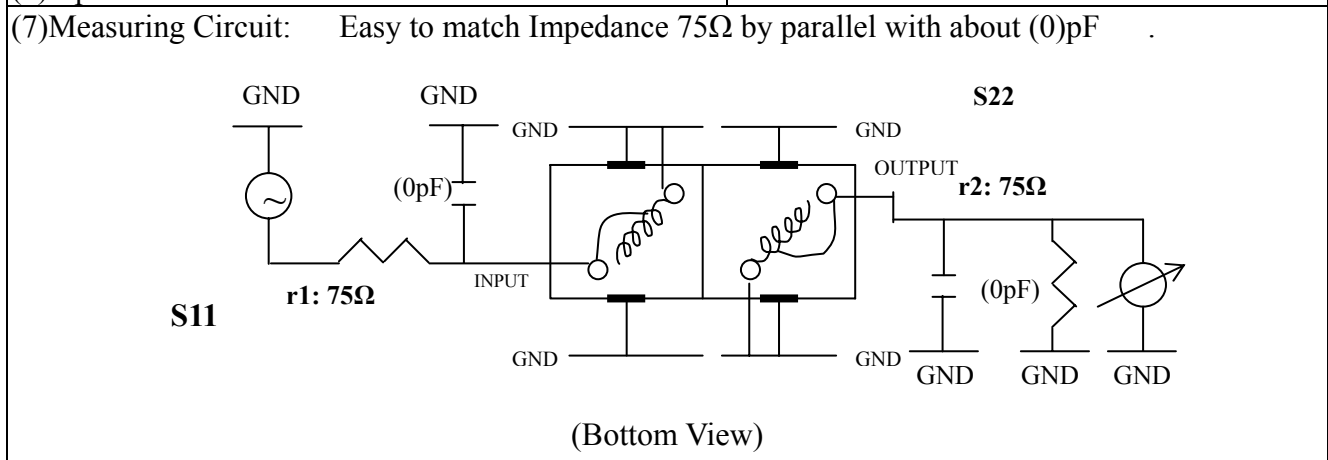


# VHF UHF Helical Filter Specification Sheet

Customer Name		Temwell's Part No.	TDL6838F-271.25M
Approval No. /dated	07110012APR	Customer's Part No.	6838F 271.25M
Work Instruction No.	07110012B	Date	Nov.16.2007



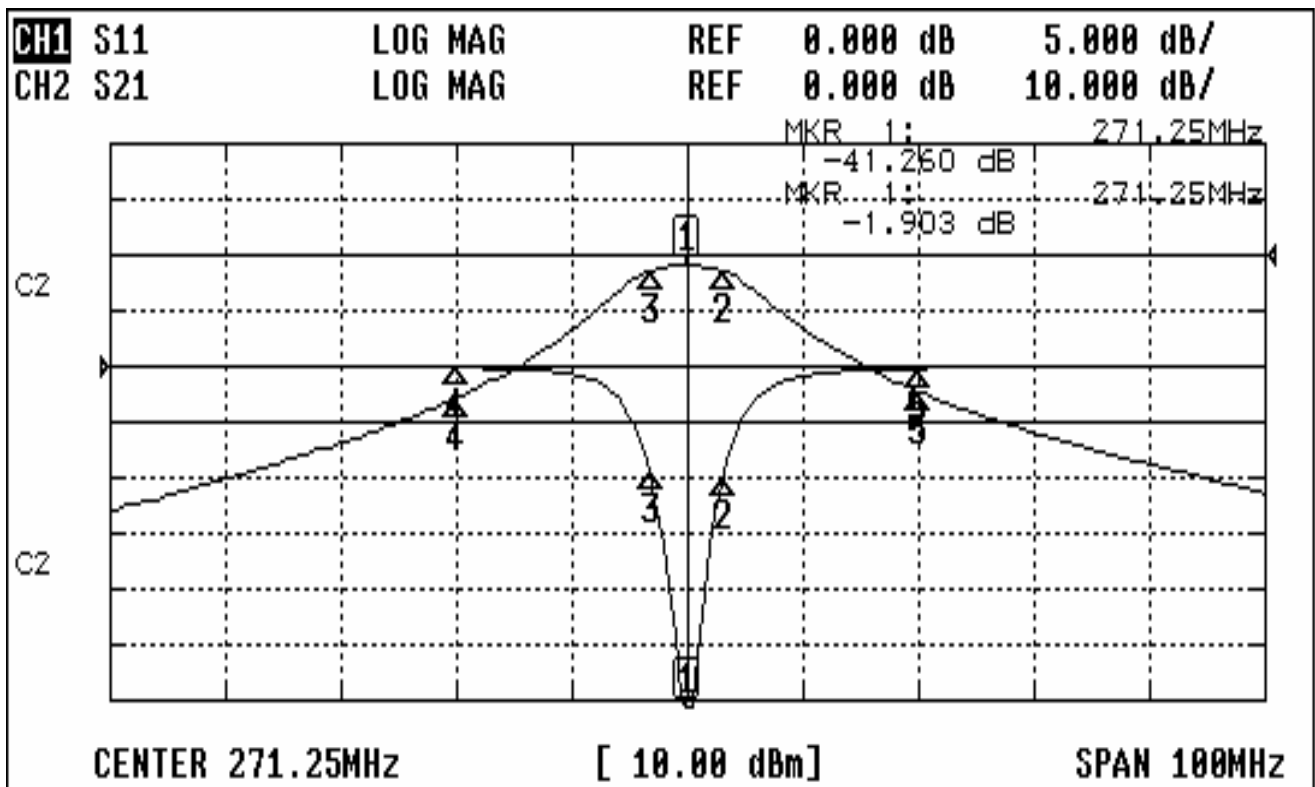
(3) Electric Characteristic			
Item		Specify	
Center Freq.(Fo) +/- 0.5 %		271.25	MHz
Tunable Range:		271.25±4	MHz
Insertion Loss		Typ. 4.0	dB
-1 dB Bandwidth		Typ. 3	MHz
-3 dB Bandwidth		Typ. 9	MHz
Sensitivity (Attenuation)	Fo - 20 MHz	Typ. 20	dBc
	Fo + 20 MHz	Typ. 19	dBc
	Fo - ( )MHz	Typ.	dBc
	Fo +( )MHz	Typ.	dBc
Return Loss		Min. 12	dB
Ripple		< 1	dB
Impedance		In / Out : 75 Ω	
(4) Torque for Tuning Screw		> 60gf cm	
(5) Temperature Condition:			
Operating Temperature		0 ~ +60	
Storage Temperature		-20 ~ +70	
(6) Input Power		> 1Watt	



Approval	Supervisor	Designer	Aperture size
C.Y.Chang	C.S.Chang	Y.H.Choan	7H2(4*4.65)F 7H024LB4
TEMWELL CORPORATION			

# Performance-TDL6838F-271.25M

## 07110012B



### CH1 MARKER LIST

1	271.250MHz	-41.260 dB
2	274.416MHz	-9.871 dB
3	268.000MHz	-9.412 dB
4	251.250MHz	-0.108 dB
5	291.250MHz	-0.166 dB

### CH2 MARKER LIST

1	271.250MHz	-1.903 dB
2	274.416MHz	-2.936 dB
3	268.000MHz	-2.924 dB
4	251.250MHz	-25.681 dB
5	291.250MHz	-24.525 dB