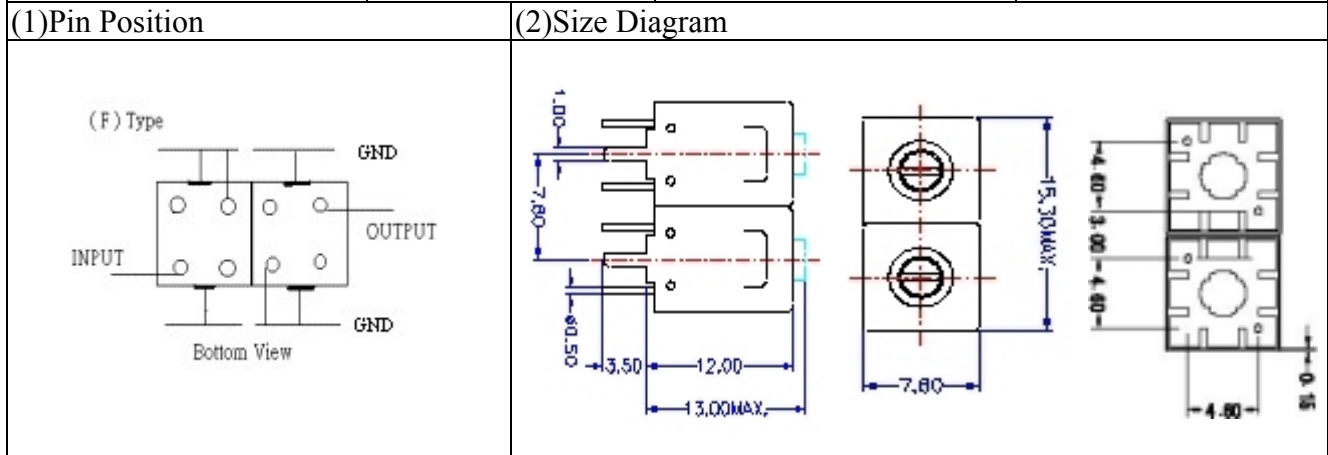


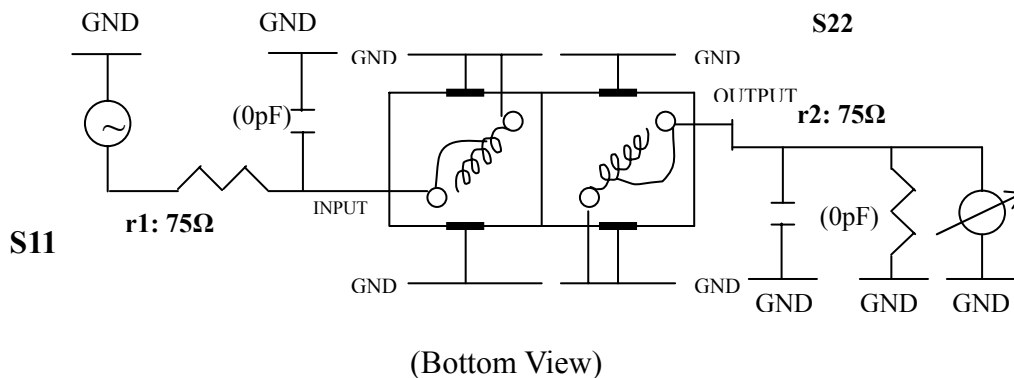
# VHF UHF Helical Filter Specification Sheet

Customer Name		Temwell's Part No.	TDL6704F-301.25M
Approval No. /dated	0711013APR	Customer's Part No.	6704F 301.25M
Work Instruction No.	0711013B	Date	Nov.23.2007



(3) Electric Characteristic	
Item	Specify
Center Freq.(Fo) +/- 0.5 %	301.25 MHz
Tunable Range:	301.25±4 MHz
Insertion Loss	Typ. 3.5 dB
-3 dB Bandwidth	Typ. 7 MHz
Sensitivity (Attenuation)	Fo - 50 MHz Typ. 27 dB
	Fo + 50 MHz Typ. 37 dB
	Fo - ( )MHz Typ. dB
	Fo +( )MHz Typ. dB
Return Loss	Min. 12 dB
Ripple	< 1 dB
Impedance	In / Out : 75 Ω
(4) Torque for Tuning Screw > 60gf cm	
(5) Temperature Condition:	
Operating Temperature	0 ~ +60
Storage Temperature	-20 ~ +70
(6) Input Power > 1Watt	

(7) Measuring Circuit: Easy to match Impedance 75Ω by parallel with about ( 0 ) pF.

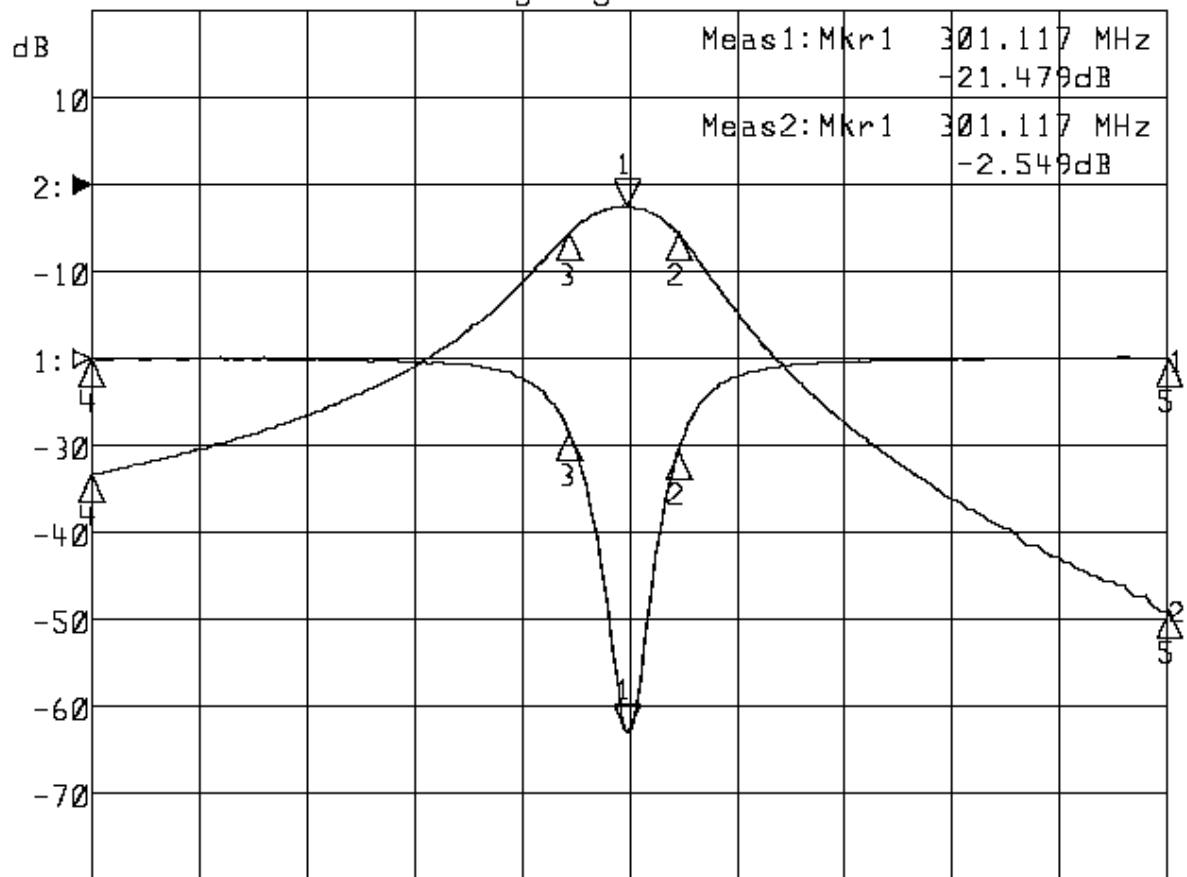


Approval	Supervisor	Designer	Aperture size
C.Y.Chang	C.S.Chang	Y.H.Choan	7H2(4*5.5)F 7H046RB4
TEMWELL		CORPORATION	

# Performance-TDL6704F-301.25M

## 0711013B

▽1:S11 Refl Port1    Log Mag    5.0 dB/ Ref    0.00 dB    C  
 ▽2:S21 Fwd Trans    Log Mag    10.0 dB/ Ref    0.00 dB    C



Center 301.250 MHz

Span 100.000 MHz

1: Mkr (MHz)	dB	2: Mkr (MHz)	dB
1> 301.1167	-21.479	1> 301.1167	-2.549
2: 305.7500	-5.351	2: 305.7500	-5.485
3: 295.6833	-4.220	3: 295.6833	-5.541
4: 251.2500	-0.001	4: 251.2500	-33.263
5: 351.2500	-0.003	5: 351.2500	-48.970