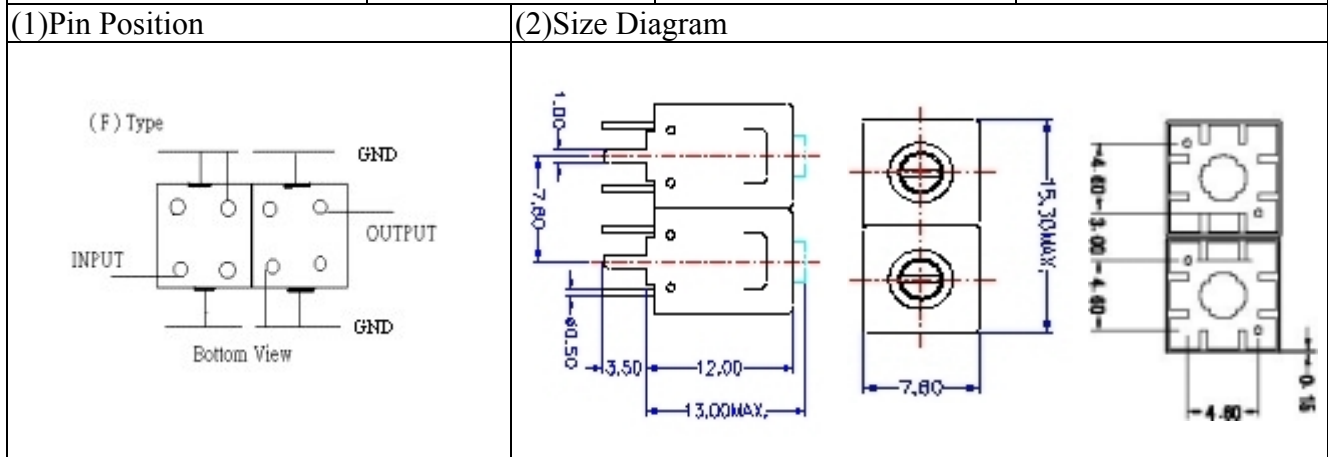


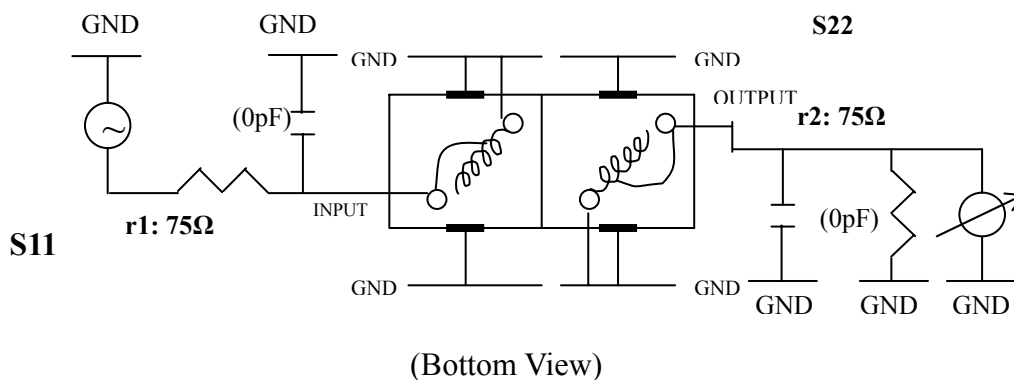
# VHF UHF Helical Filter Specification Sheet

Customer Name		Temwell's Part No.	TDL6282F-859.25M
Approval No. /dated	0710099APR	Customer's Part No.	6282F 859.25M
Work Instruction No.	0710099B	Date	Nov.07.2007



(3) Electric Characteristic	
Item	Specify
Center Freq.(Fo) +/- 0.5 %	859.25 MHz
Tunable Range:	859.25±10 MHz
Insertion Loss	Typ. 5.0 dB
-3 dB Bandwidth	Typ. 6 MHz
Sensitivity (Attenuation)	Fo - 30 MHz Typ. 20 dB
	Fo + 30 MHz Typ. 17 dB
	Fo - ( )MHz Typ. dB
	Fo +( )MHz Typ. dB
Return Loss	Min. 12 dB
Ripple	< 1 dB
Impedance	In / Out : 75 Ω
(4) Torque for Tuning Screw > 60gf cm	
(5) Temperature Condition:	
Operating Temperature	0 ~ +60
Storage Temperature	-20 ~ +70
(6) Input Power > 1Watt	

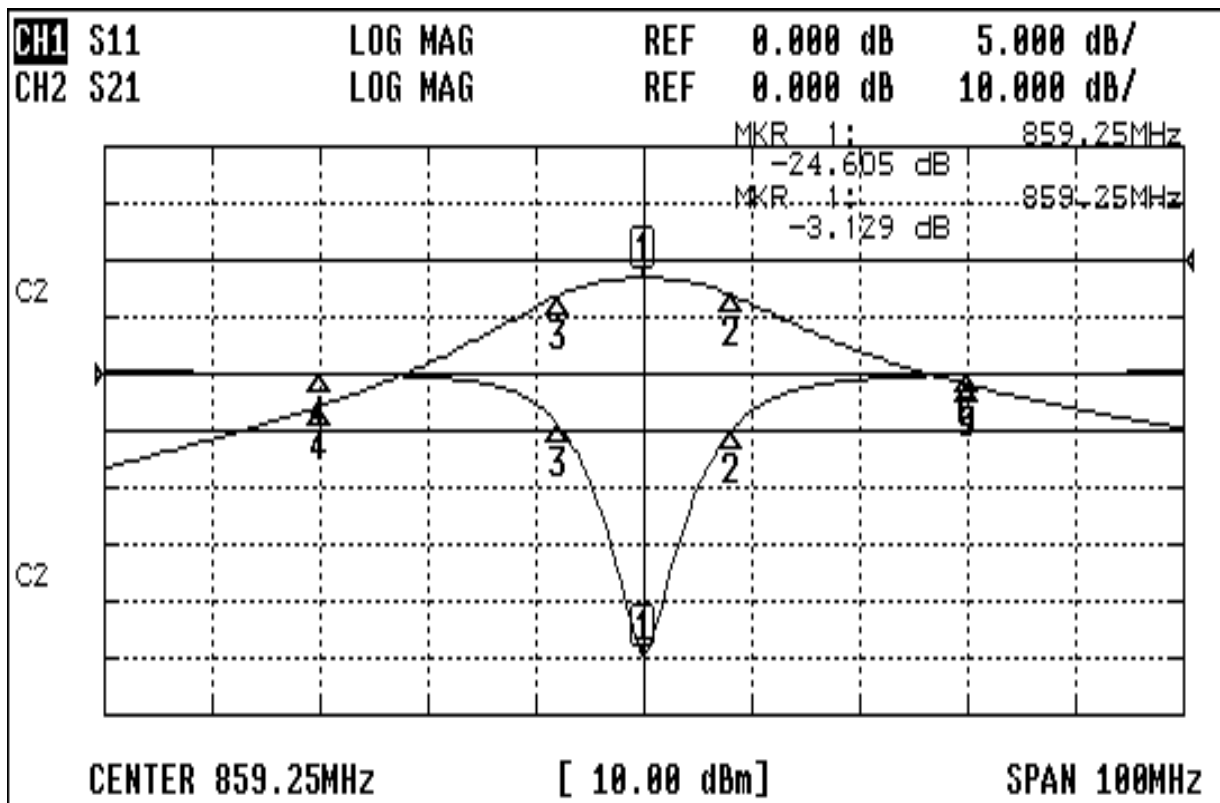
(7) Measuring Circuit: Easy to match Impedance 75Ω by parallel with about ( 0 ) pF.



Approval	Supervisor	Designer	Aperture size
C.Y.Chang	C.S.Chang	P.H.Chiang	7H2(4*5.5)F 7H046LB4 聚 3
TEMWELL		CORPORATION	

# Performance-TDL6282F-859.25M

## 0710099B



### CH1 MARKER LIST

1:	859.250MHz	-24.605 dB
2:	867.416MHz	-4.956 dB
3:	851.416MHz	-4.501 dB
4:	829.250MHz	0.047 dB
5:	889.250MHz	-0.050 dB
6:		
7:		
8:		
9:		
10:		

### CH2 MARKER LIST

1:	859.250MHz	-3.129 dB
2:	867.416MHz	-6.127 dB
3:	851.416MHz	-6.160 dB
4:	829.250MHz	-25.626 dB
5:	889.250MHz	-21.892 dB
6:		
7:		
8:		
9:		
10:		