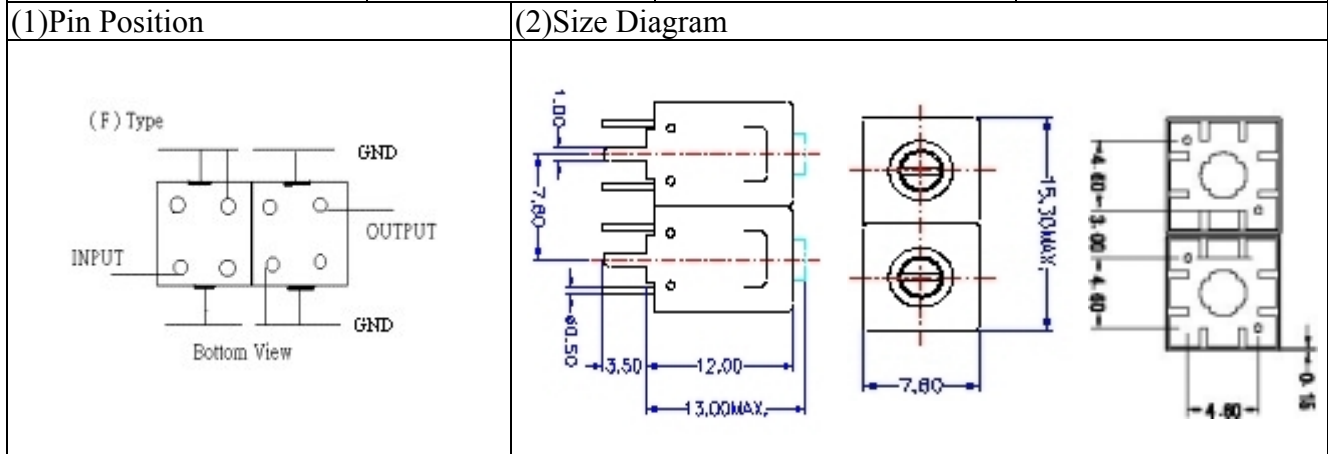


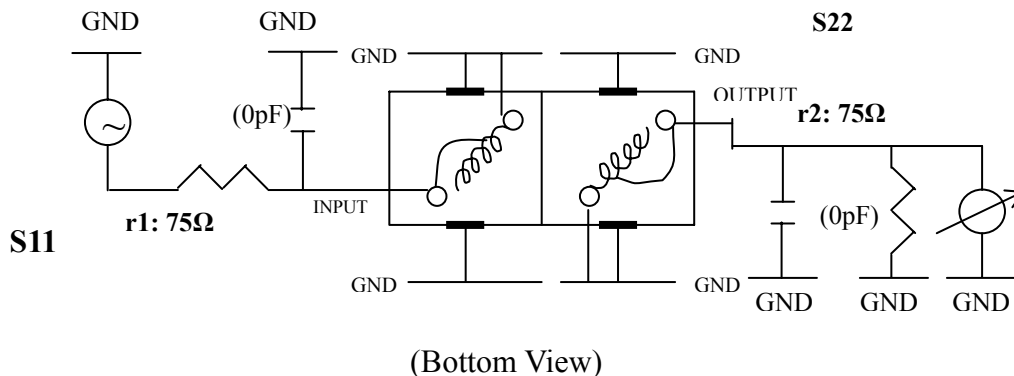
VHF UHF Helical Filter Specification Sheet

Customer Name		Temwell's Part No.	TDL6267F-799.25M
Approval No. /dated	0711021APR	Temwell's print name	6267F 799.25M
Work Instruction No.	0711021B	Date	Nov.28.2007



(3)Electric Charasteric		Item	Specify
Center Freq.(Fo) +/- 0.5 %			799.25 MHz
Tunable Range:			799.25±5 MHz
Insertion Loss		Typ.	4.0 dB
-3 dB Bandwidth		Typ.	6 MHz
Sensitivity (Attenuation)	Fo - 20 MHz	Typ.	20 dB
	Fo + 20 MHz	Typ.	18 dB
	Fo - ()MHz	Typ.	dB
	Fo +()MHz	Typ.	dB
Return Loss		Min.	12 dB
Ripple			< 1 dB
Impedance			In / Out : 75 Ω
(4)Torque for Tuning Screw			> 60gf cm
(5)Temperature Condition:			
Operating Temperature			0 ~ +60
Storage Temperature			-20 ~ +70
(6)Input Power			> 1Watt

(7)Measuring Circuit: Easy to match Impedance 75Ω by parallel with about (0) pF.



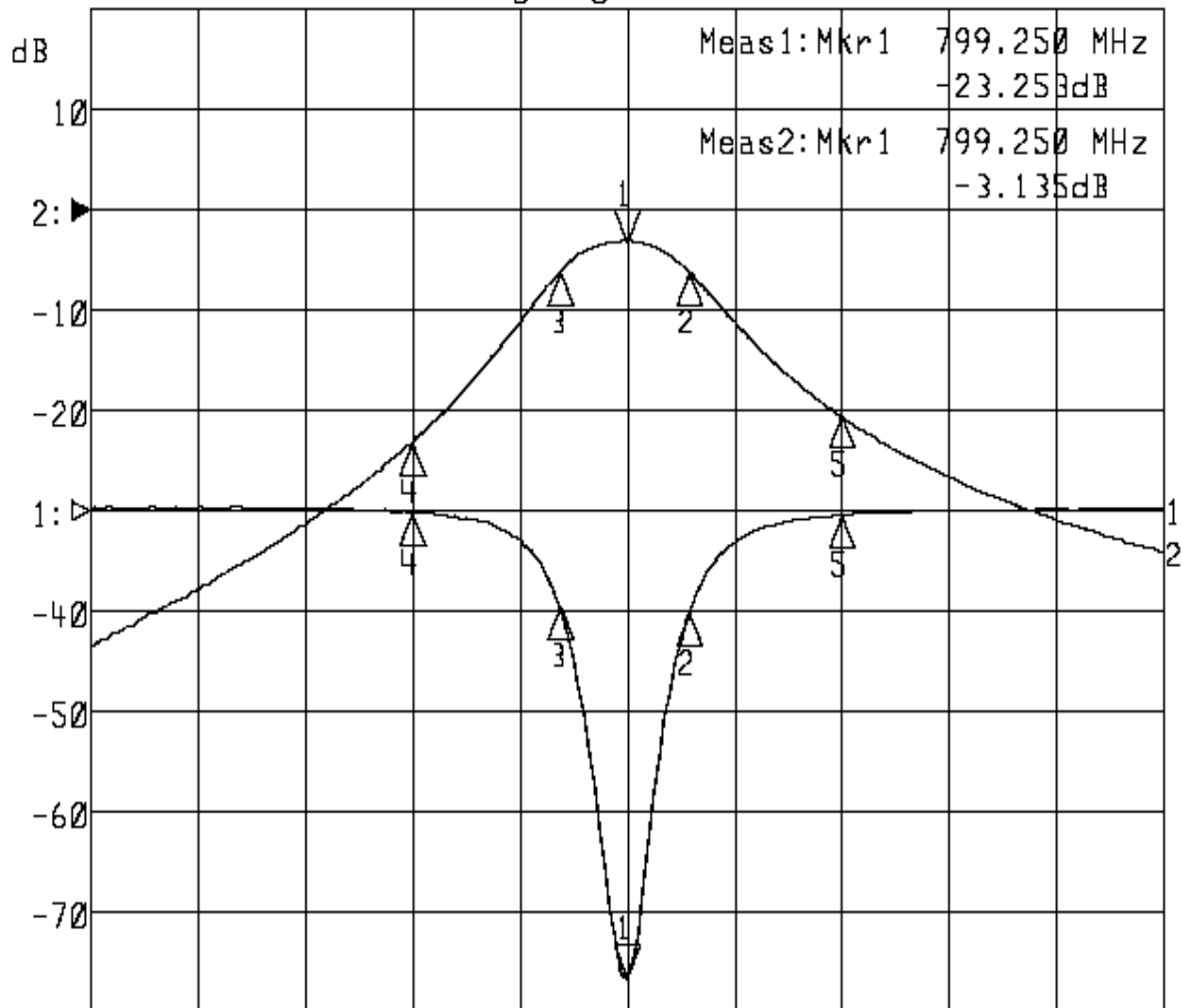
Approval	Supervisor	Designer	Aperture size
C.Y.Chang	C.S.Chang	Y.H.Yeh	7H2(4*4.5) 7H046LB4 聚 3

TEMWELL CORPORATION

Performance-TDL6267F-799.25M

0711021B

▶1:S11 Refl Port1 Log Mag 5.0 dB/ Ref 0.00 dB C
 ▶2:S21 Fwd Trans Log Mag 10.0 dB/ Ref 0.00 dB C



Center 799.250 MHz

Span 100.000 MHz

1: Mkr (MHz)	dB	2: Mkr (MHz)	dB
1> 799.2500	-23.253	1> 799.2500	-3.135
2: 805.0167	-5.091	2: 805.0167	-6.165
3: 792.9833	-4.800	3: 792.9833	-6.129
4: 779.2500	-0.097	4: 779.2500	-23.148
5: 819.2500	-0.209	5: 819.2500	-20.597