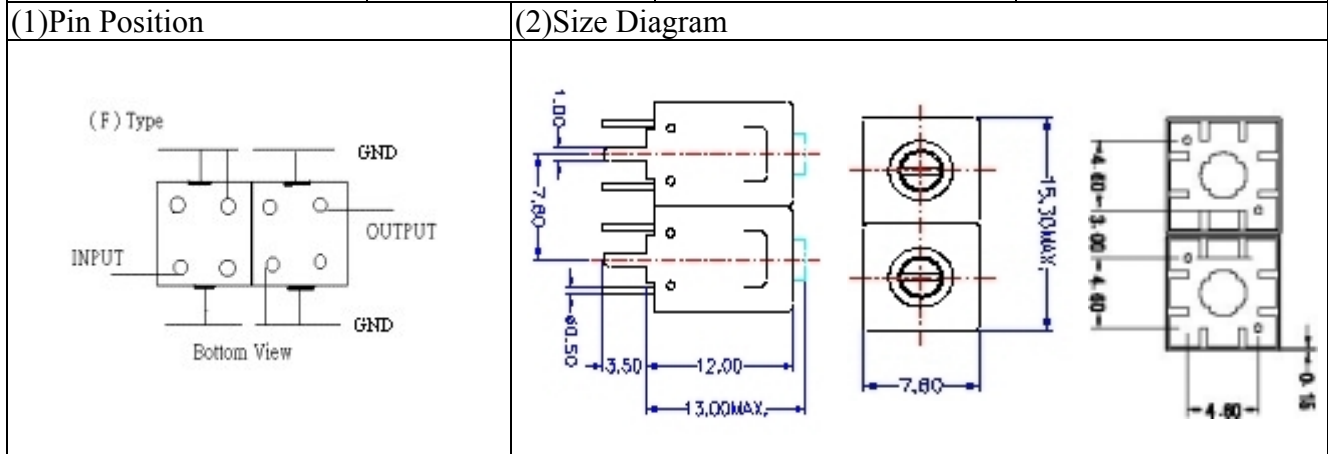


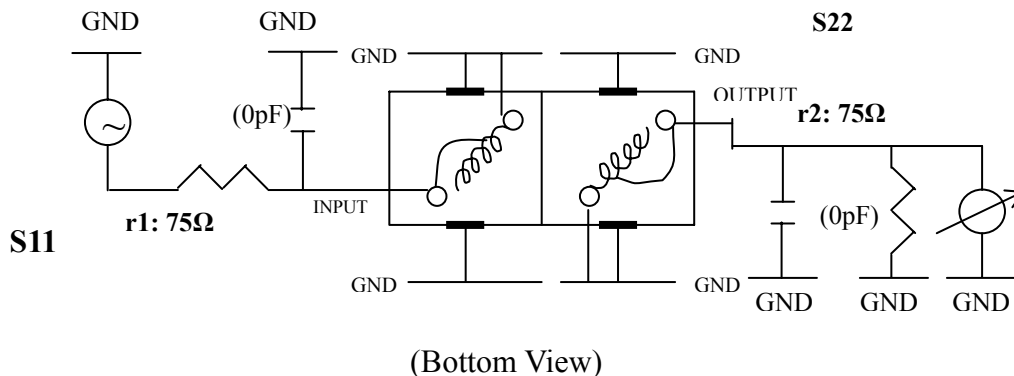
VHF UHF Helical Filter Specification Sheet

Customer Name		Temwell's Part No.	TDL6259F-709.25M
Approval No. /dated	0711020APR	Temwell's print name	6259F 709.25M
Work Instruction No.	0711020B	Date	Nov.27.2007



(3)Electric Charasteric	
Item	Specify
Center Freq.(Fo) +/- 0.5 %	709.25 MHz
Tunable Range:	709.25±5 MHz
Insertion Loss	Typ. 4.5 dB
-3 dB Bandwidth	Typ. 6 MHz
Sensitivity (Attenuation)	Fo - 20 MHz Typ. 17 dB
	Fo + 20 MHz Typ. 16 dB
	Fo - ()MHz Typ. dB
	Fo +()MHz Typ. dB
Return Loss	Min. 12 dB
Ripple	< 1 Db
Impedance	In / Out : 75 Ω
(4)Torque for Tuning Screw	> 60gf cm
(5)Temperature Condition:	
Operating Temperature	0 ~ +60
Storage Temperature	-20 ~ +70
(6)Input Power	> 1Watt

(7)Measuring Circuit: Easy to match Impedance 75Ω by parallel with about (0) pF.

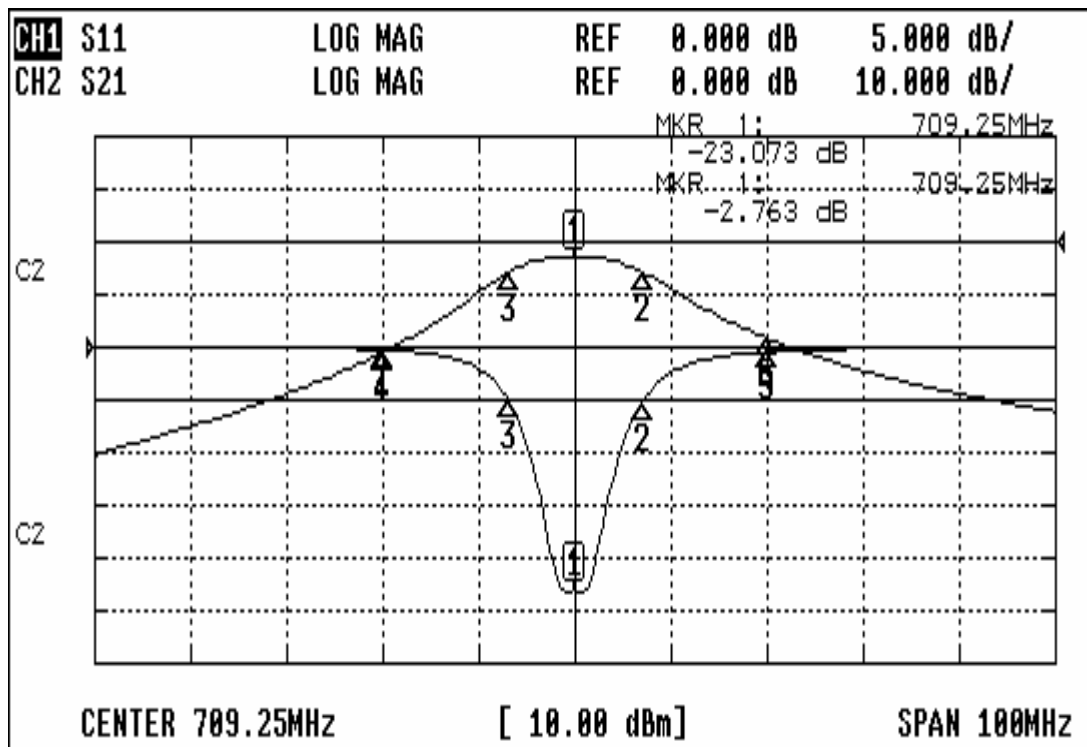


Approval	Supervisor	Designer	Aperture size
C.Y.Chang	C.S.Chang	K.M.Yin	7H2(4*4.65)F 7H046LB4 聚 3

TEMWELL CORPORATION

Performance-TDL6259F-709.25M

0711020B



CH1 MARKER LIST

1:	709.250MHz	-23.073 dB
2:	716.333MHz	-5.150 dB
3:	702.416MHz	-5.076 dB
4:	689.250MHz	-0.242 dB
5:	729.250MHz	-0.424 dB
6:		
7:		
8:		
9:		
10:		

CH2 MARKER LIST

1:	709.250MHz	-2.763 dB
2:	716.333MHz	-5.829 dB
3:	702.416MHz	-5.722 dB
4:	689.250MHz	-20.933 dB
5:	729.250MHz	-18.344 dB
6:		
7:		
8:		
9:		
10:		