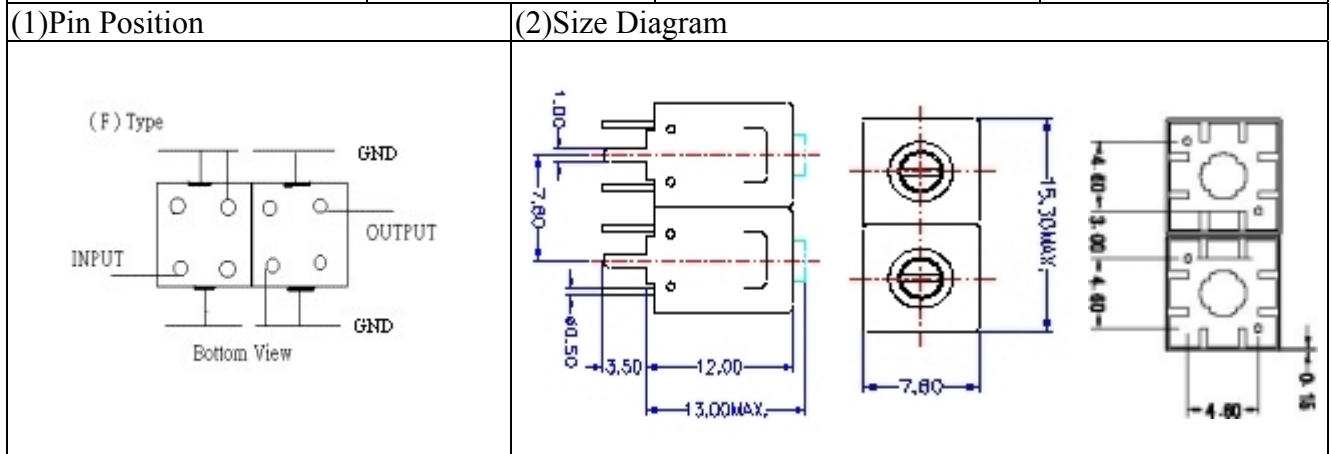


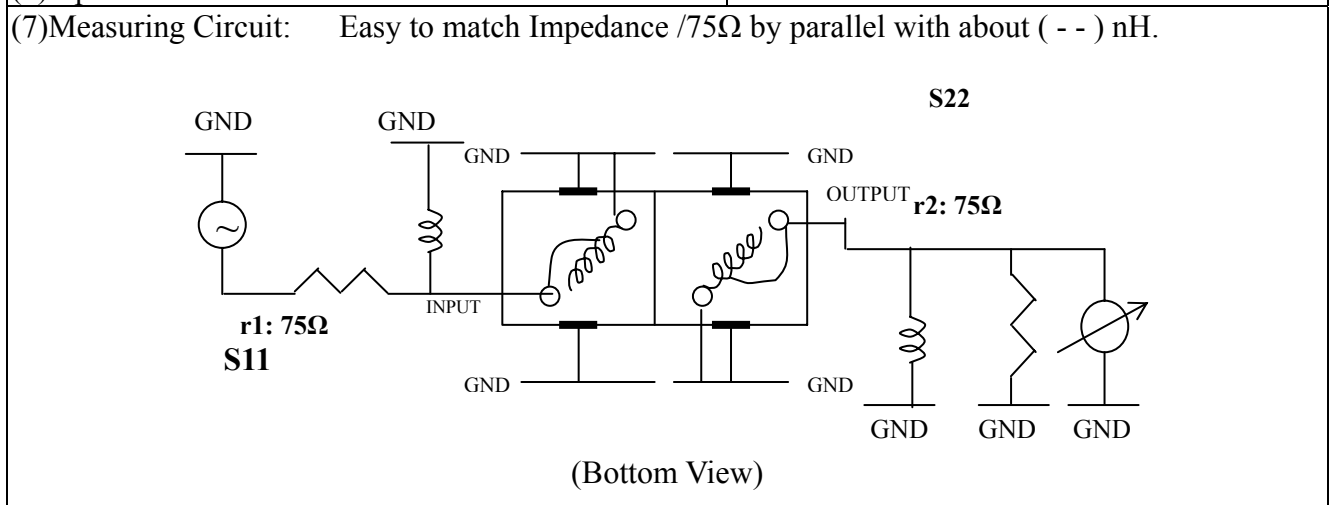
# VHF UHF Helical Filter Specification Sheet

Customer Name		Temwell's Part No.	TDL6231F-535.25M
Approval No. /dated		Temwell's Print name.	6231F 535.25M
Work Instruction No.	201005010A	Date	Jun.15.2010



(3) Electric Charasteric

Item	Specify	
Center Freq.(Fo ) +/- 0.5 %	535.25	MHz
Insertion Loss	Typ. 5.0	dB
-3 dB Bandwidth	Typ. 7	MHz
Sensitivity (Attenuation )	Fo - 20 MHz	Typ. 21 dB
	Fo + 20 MHz	Typ. 16 dB
	Fo - ( )MHz	Typ. dBc
	Fo +( )MHz	Typ. dBc
Return Loss	Min. 12	dB
Ripple	< 1	dB
Impedance	In / Out : 75Ω	
(4)Torque for Tuning Screw	> 60gf cm	
(5)Temperature Condition:		
Operating Temperature	0 ~ +60	
Storage Temperature	-20 ~ +70	
(6)Input Power	> 1Watt	

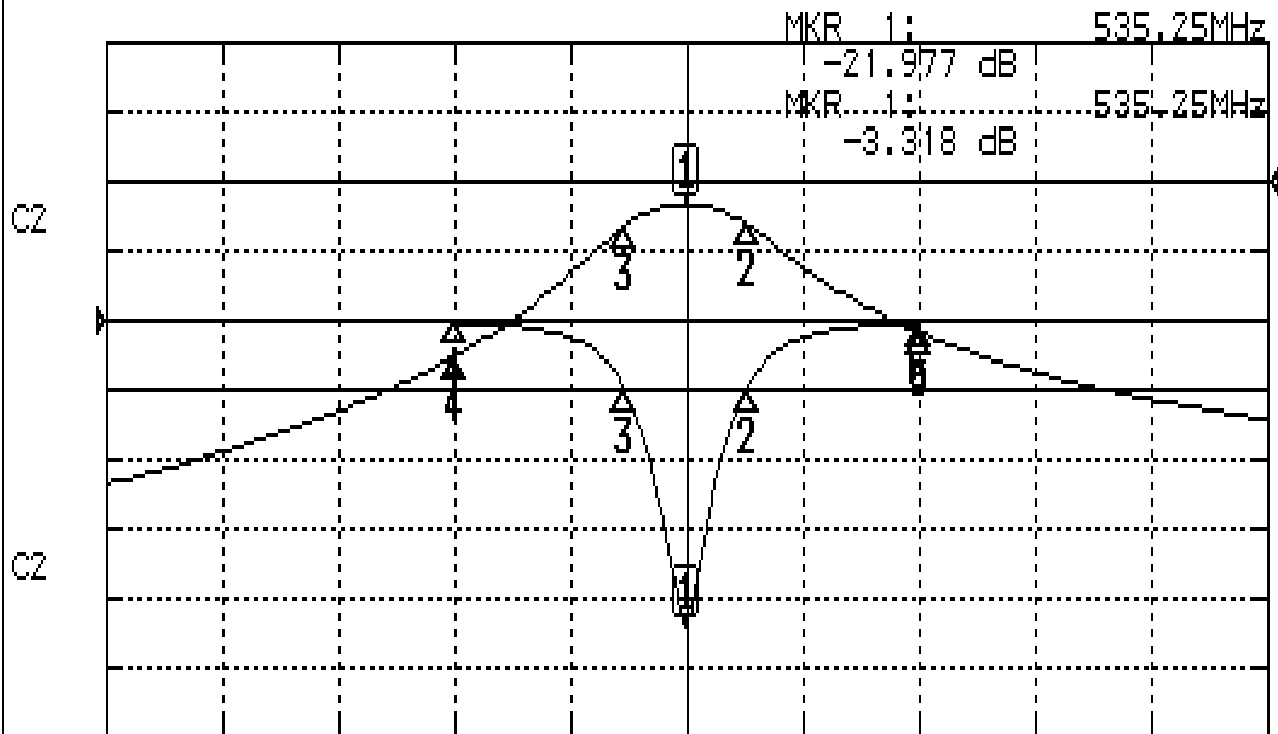


Approval C.Y.Chang	Supervisor C.K.Chang	Designer F.L.Lai	Aperture size 7H2S(4*5.35)(5.38) 7H046LB4.3 聚 3
TEMWELL CORPORATION			

# Performance-TDL6231F-535.25M

## 201005010A

CH1 S11 LOG MAG REF 0.000 dB 5.000 dB/  
CH2 S21 LOG MAG REF 0.000 dB 10.000 dB/



CENTER 535.25MHz

[ 10.00 dBm ]

SPAN 100MHz

### CH1 MARKER LIST

1:	535.250MHz	-21.977	dB
2:	540.500MHz	-4.805	dB
3:	529.916MHz	-4.891	dB
4:	515.250MHz	-0.139	dB
5:	555.250MHz	-0.147	dB

### CH2 MARKER LIST

1:	535.250MHz	-3.318	dB
2:	540.500MHz	-6.322	dB
3:	529.916MHz	-6.371	dB
4:	515.250MHz	-25.082	dB
5:	555.250MHz	-21.656	dB