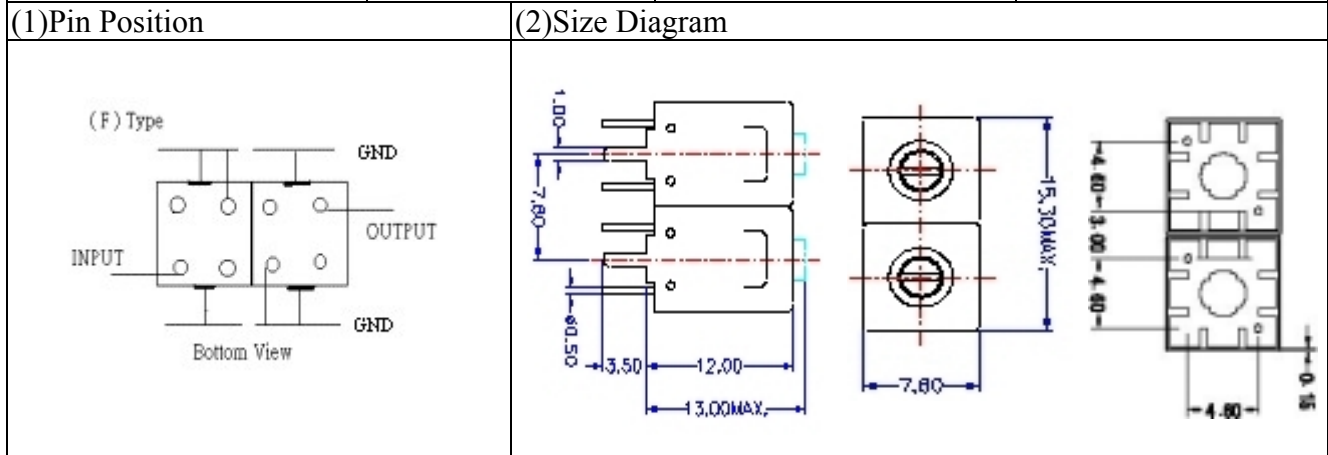


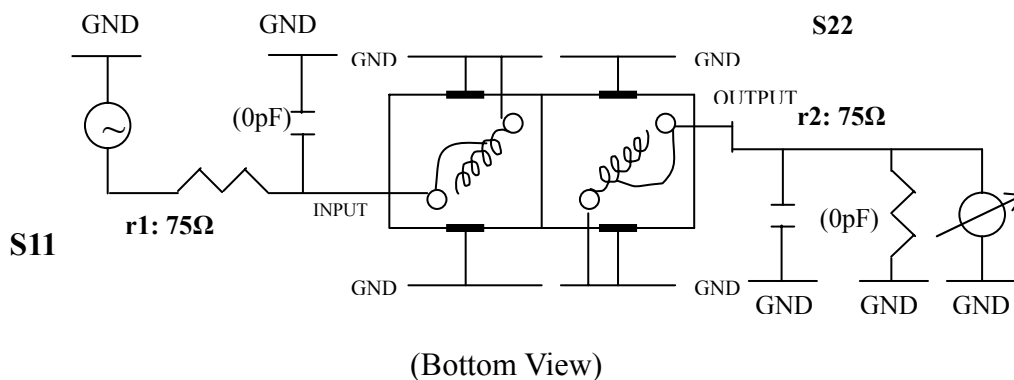
# VHF UHF Helical Filter Specification Sheet

Customer Name		Temwell's Part No.	TDL62154F-445.25M
Approval No. /dated	0710098APR	Customer's Part No.	62154F 445.25M
Work Instruction No.	0710098B	Date	Nov.06.2007



(3) Electric Characteristic	
Item	Specify
Center Freq.(Fo ) +/- 0.5 %	445.25 MHz
Tunable Range:	445.25±5 MHz
Insertion Loss	Typ. 4.0 dB
-3 dB Bandwidth	Typ. 8 MHz
Sensitivity (Attenuation )	Fo - 30 MHz Typ. 31 dB
	Fo + 30 MHz Typ. 22 dB
	Fo - ( )MHz Typ. dB
	Fo +( )MHz Typ. dB
Return Loss	Min. 12 dB
Ripple	< 1 dB
Impedance	In / Out : 75 Ω
(4) Torque for Tuning Screw > 60gf cm	
(5) Temperature Condition:	
Operating Temperature	0 ~ +60
Storage Temperature	-20 ~ +70
(6) Input Power > 1Watt	

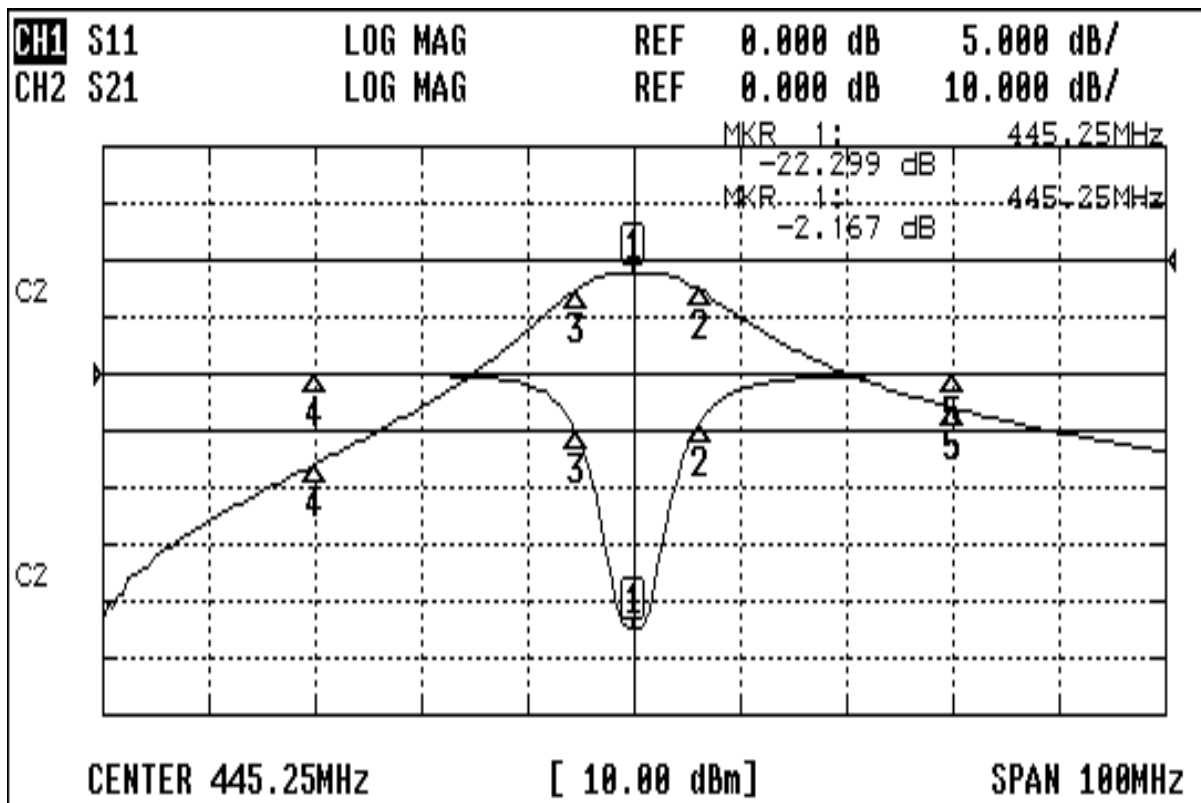
(7) Measuring Circuit: Easy to match Impedance /75Ω by parallel with about ( 0 ) pF.



Approval	Supervisor	Designer	Aperture size
C.Y.Chang	C.S.Chang	P.H.Chiang	7H2(4*5.5)F 7H046LB4 聚 3
TEMWELL		CORPORATION	

# Performance-TDL62154F-445.25M

## 0710098B



### CH1 MARKER LIST

1:	445.250MHz	-22.285 dB
2:	451.416MHz	-4.452 dB
3:	439.750MHz	-4.872 dB
4:	415.250MHz	0.028 dB
5:	475.250MHz	-0.029 dB
6:		
7:		
8:		
9:		
10:		

### CH2 MARKER LIST

1:	445.250MHz	-2.167 dB
2:	451.416MHz	-5.173 dB
3:	439.750MHz	-5.111 dB
4:	415.250MHz	-35.782 dB
5:	475.250MHz	-25.976 dB
6:		
7:		
8:		
9:		
10:		