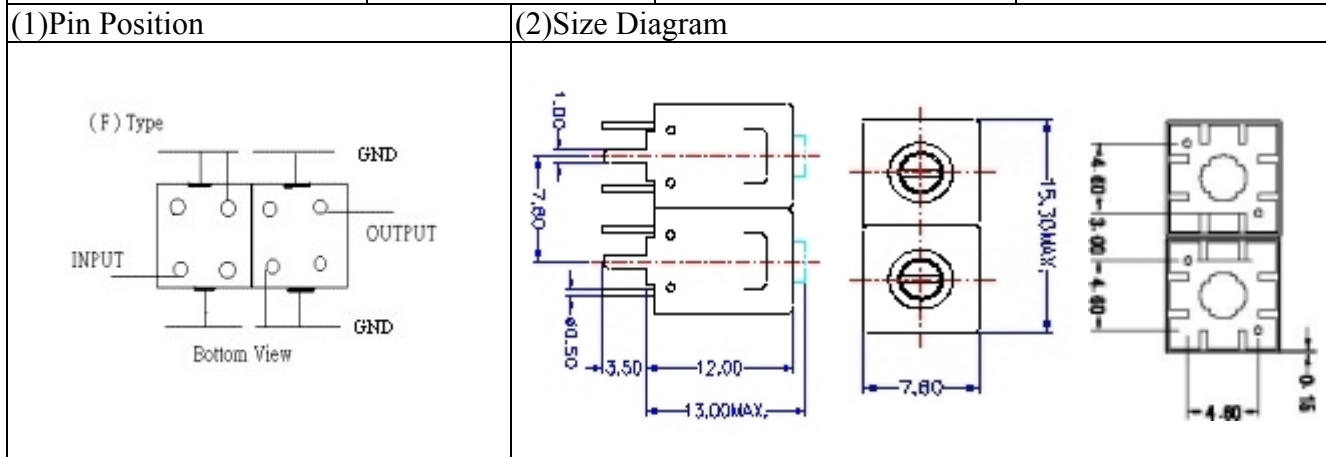


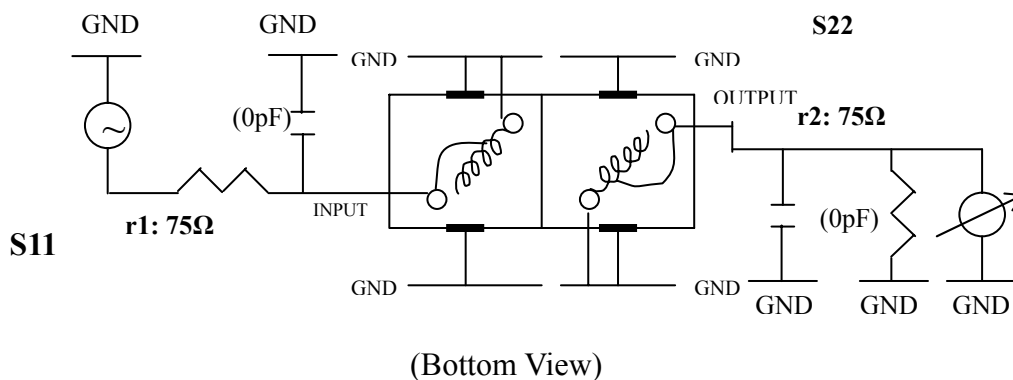
VHF UHF Helical Filter Specification Sheet

Customer Name		Temwell's Part No.	TDL62150F-415.25M
Approval No. /dated	0710097APR	Customer's Part No.	62150F 415.25M
Work Instruction No.	0710097B	Date	Nov.06.2007



(3) Electric Characteristic	
Item	Specify
Center Freq.(Fo) +/- 0.5 %	415.25 MHz
Tunable Range:	415.25±5 MHz
Insertion Loss	Typ. 4.0 dB
-3 dB Bandwidth	Typ. 8 MHz
Sensitivity (Attenuation)	Fo - 30 MHz Typ. 29 dB
	Fo + 30 MHz Typ. 21 dB
	Fo - ()MHz Typ. dB
	Fo +()MHz Typ. dB
Return Loss	Min. 12 dB
Ripple	< 1 dB
Impedance	In / Out : 75 Ω
(4) Torque for Tuning Screw	
> 60gf cm	
(5) Temperature Condition:	
Operating Temperature	0 ~ +60
Storage Temperature	-20 ~ +70
(6) Input Power	
> 1Watt	

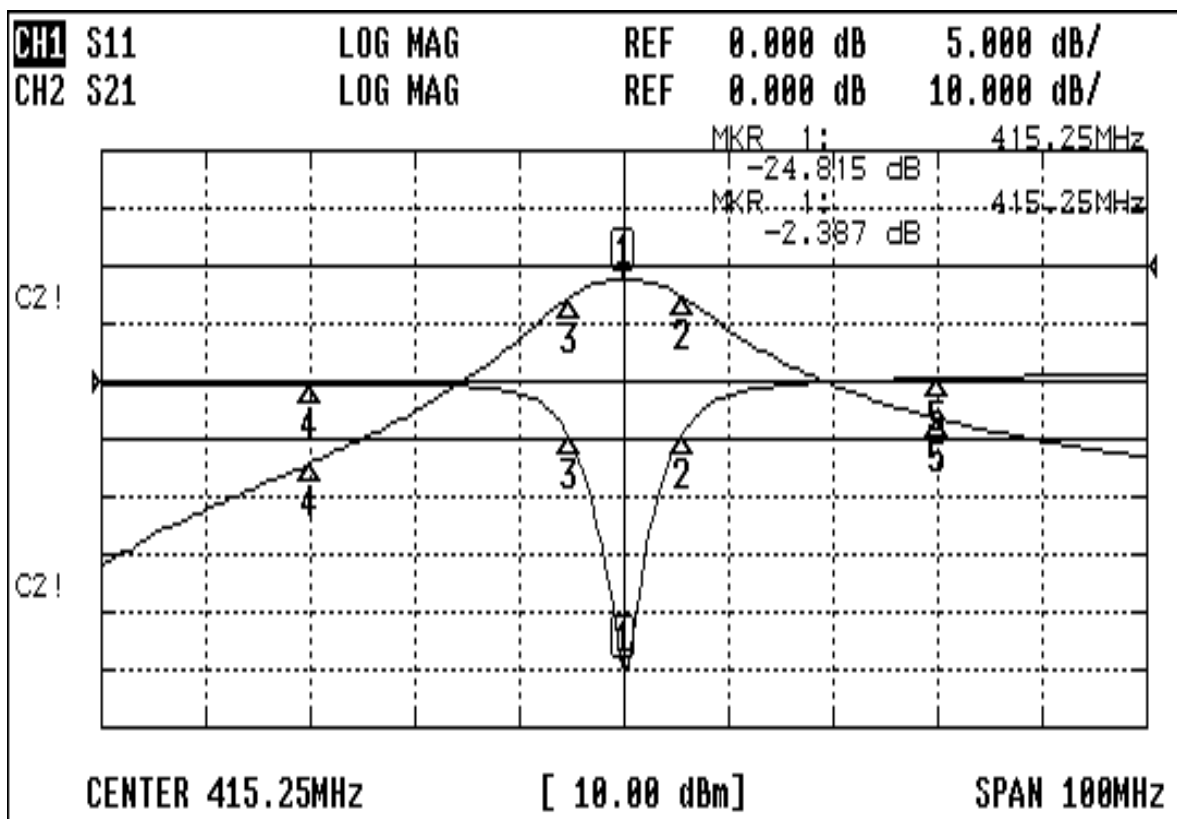
(7) Measuring Circuit: Easy to match Impedance /75Ω by parallel with about (0) pF.



Approval	Supervisor	Designer	Aperture size
C.Y.Chang	C.S.Chang	P.H.Chiang	7H2(4*5.5)F 7H046LB4 聚 3
TEMWELL		CORPORATION	

Performance-TDL62150F-415.25M

0710097B



CH1 MARKER LIST

1:	415.250MHz	-24.815 dB
2:	420.833MHz	-4.668 dB
3:	410.000MHz	-4.723 dB
4:	385.250MHz	-0.226 dB
5:	445.250MHz	0.259 dB

CH2 MARKER LIST

1:	415.250MHz	-2.388 dB
2:	420.833MHz	-5.320 dB
3:	410.000MHz	-5.394 dB
4:	385.250MHz	-34.128 dB
5:	445.250MHz	-26.456 dB