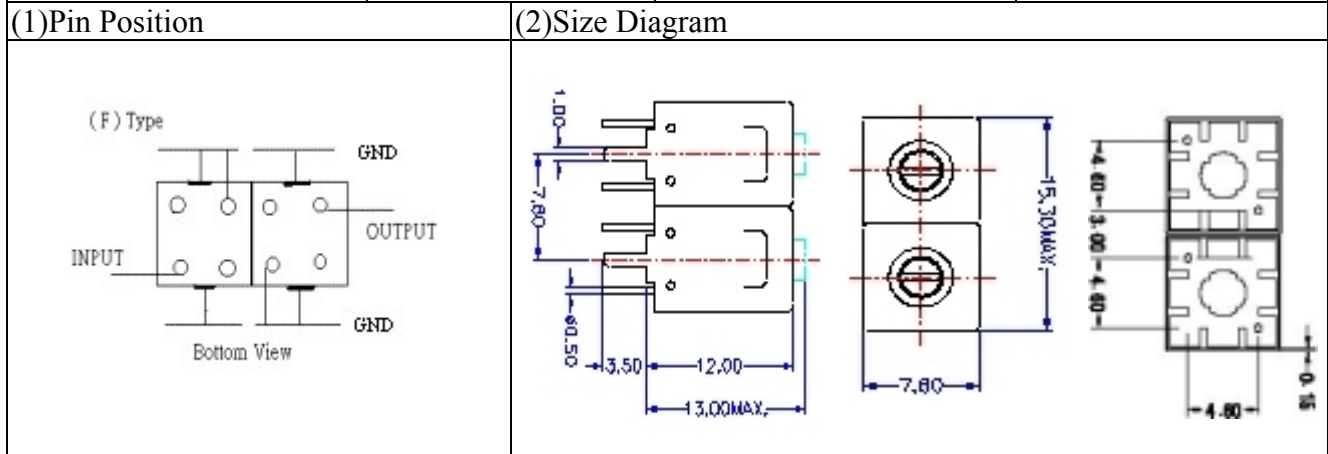


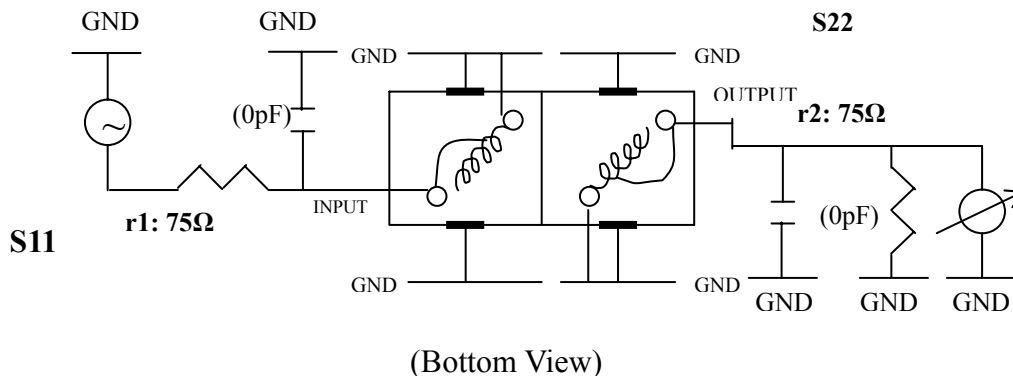
VHF UHF Helical Filter Specification Sheet

Customer Name		Temwell's Part No.	TDL62146F-385.25M
Approval No. /dated	0711016APR	Temwell's print name.	62146F 385.25M
Work Instruction No.	0711016B	Date	Nov.27.2007



(3)Electric Charasteric	
Item	Specify
Center Freq.(Fo) +/- 0.5 %	385.25 MHz
Tunable Range:	385.25±4 MHz
Insertion Loss	Typ. 4.0 dB
-3 dB Bandwidth	Typ. 8 MHz
Sensitivity (Attenuation)	Fo - 30 MHz Typ. 30 dB
	Fo + 30 MHz Typ. 21 dB
	Fo - ()MHz Typ. dB
	Fo +()MHz Typ. dB
Return Loss	Min. 12 dB
Ripple	< 1 dB
Impedance	In / Out : 75 Ω
(4)Torque for Tuning Screw	> 60gf cm
(5)Temperature Condition:	
Operating Temperature	0 ~ +60
Storage Temperature	-20 ~ +70
(6)Input Power	> 1Watt

(7)Measuring Circuit: Easy to match Impedance 75Ω by parallel with about (0) pF.

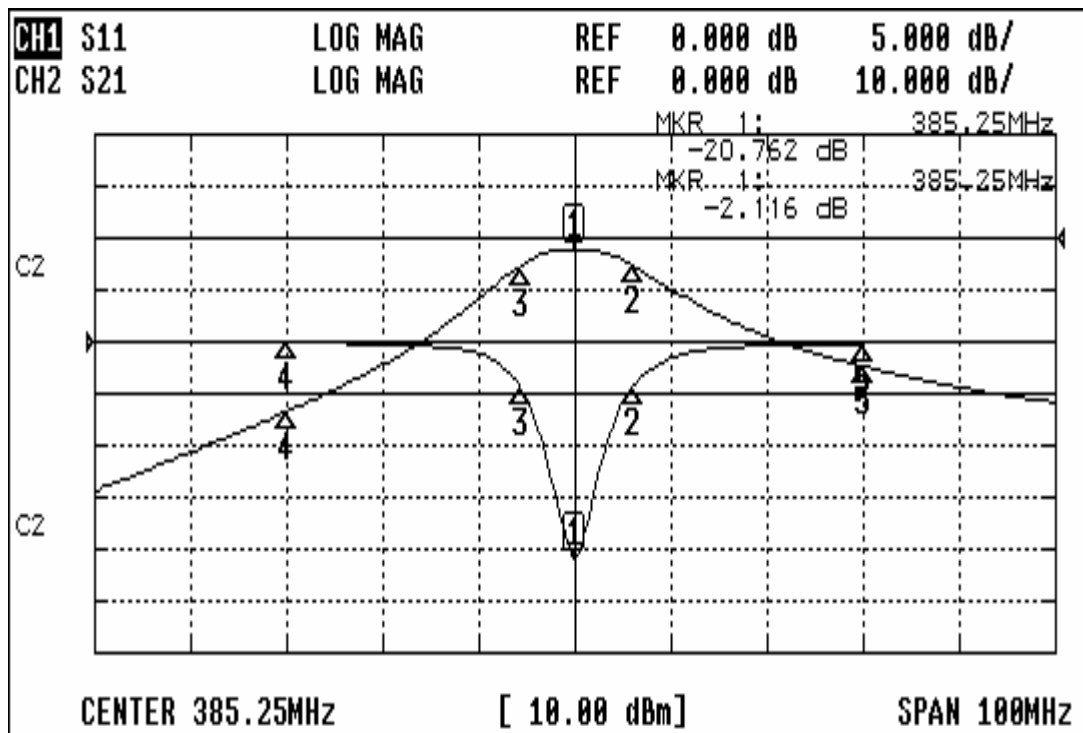


Approval	Supervisor	Designer	Aperture size
C.Y.Chang	C.S.Chang	K.M.Yin	7H2(4*5.5)F 7H046LB4 聚 3

TEMWELL CORPORATION

Performance-TDL62146F-385.25M

0711016B



CH1 MARKER LIST

1:	385.250MHz	-20.762 dB
2:	391.333MHz	-4.350 dB
3:	379.666MHz	-4.548 dB
4:	355.250MHz	-0.093 dB
5:	415.250MHz	-0.154 dB

CH2 MARKER LIST

1:	385.250MHz	-2.116 dB
2:	391.333MHz	-5.168 dB
3:	379.666MHz	-5.131 dB
4:	355.250MHz	-33.409 dB
5:	415.250MHz	-24.747 dB