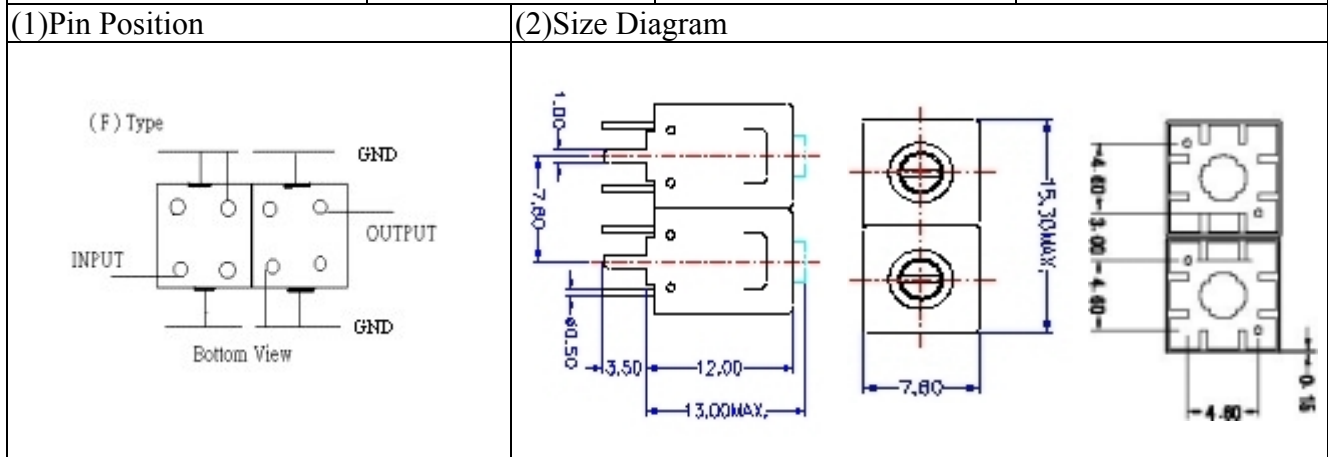


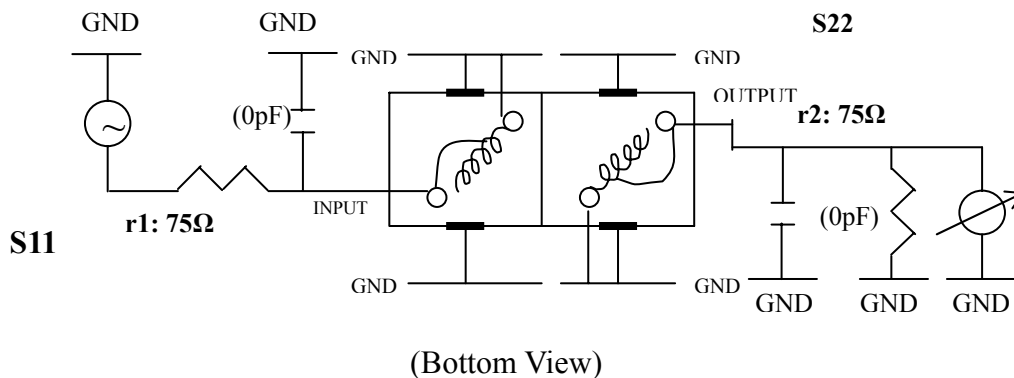
VHF UHF Helical Filter Specification Sheet

Customer Name		Temwell's Part No.	TDL62143F-361.25M
Approval No. /dated	0711015APR	Customer's Part No.	62143F 361.25M
Work Instruction No.	0711015B	Date	Nov.22.2007



(3) Electric Characteristic	
Item	Specify
Center Freq.(Fo) +/- 0.5 %	361.25 MHz
Tunable Range:	361.25±4 MHz
Insertion Loss	Typ. 4.0 dB
-3 dB Bandwidth	Typ. 8 MHz
Sensitivity (Attenuation)	Fo - 30 MHz Typ. 33 dB
	Fo + 30 MHz Typ. 24 dB
	Fo - ()MHz Typ. dB
	Fo +()MHz Typ. dB
Return Loss	Min. 12 dB
Ripple	< 1 dB
Impedance	In / Out : 75 Ω
(4) Torque for Tuning Screw	
> 60gf cm	
(5) Temperature Condition:	
Operating Temperature	0 ~ +60
Storage Temperature	-20 ~ +70
(6) Input Power	
> 1Watt	

(7) Measuring Circuit: Easy to match Impedance /75Ω by parallel with about (0) pF.

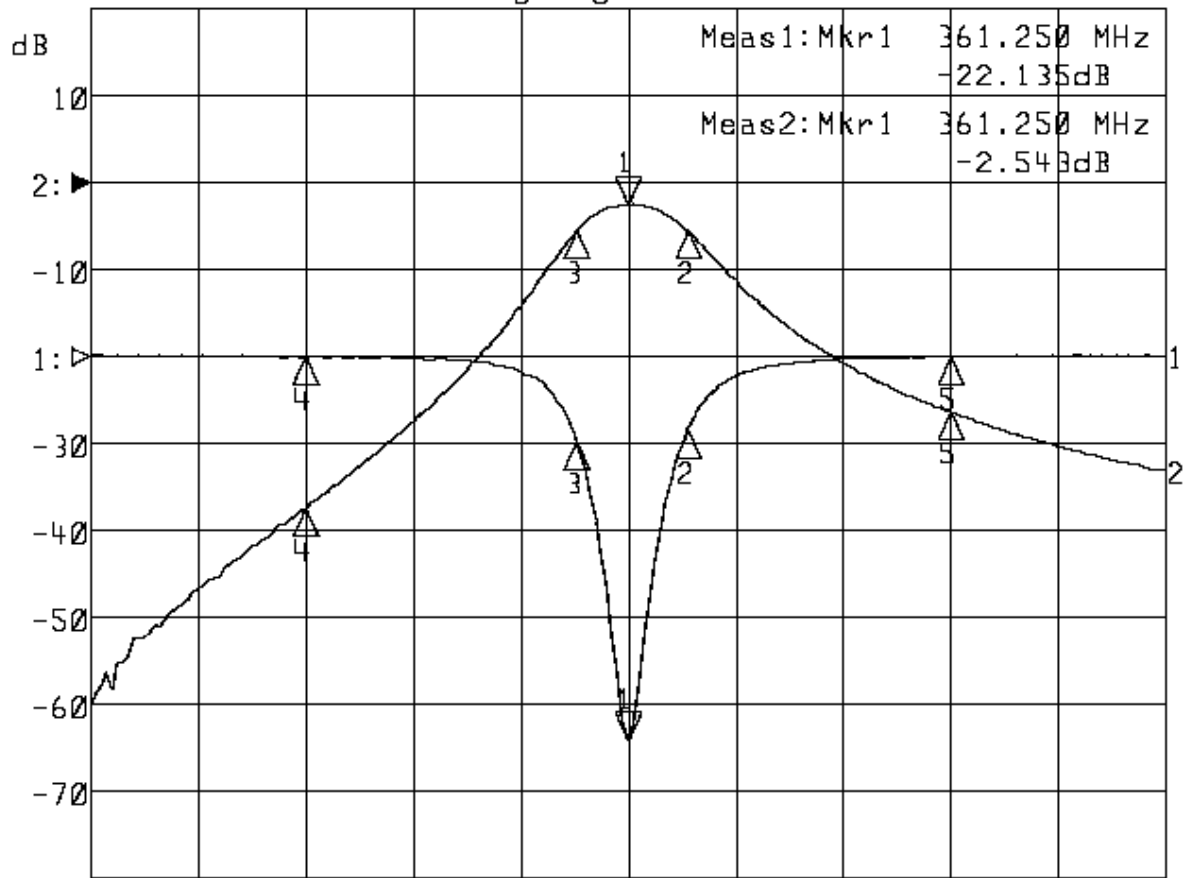


Approval	Supervisor	Designer	Aperture size
C.Y.Chang	C.S.Chang	Y.H.Choan	7H2(4*5.5)F 7H046LB4 聚 3
TEMWELL CORPORATION			

Performance-TDL62143F-361.25M

0711015B

▽1:S11 Refl Port1 Log Mag 5.0 dB/ Ref 0.00 dB C
 ▽2:S21 Fwd Trans Log Mag 10.0 dB/ Ref 0.00 dB C



Center 361.250 MHz

Span 100.000 MHz

1: Mkr (MHz)	dB	2: Mkr (MHz)	dB
1> 361.2500	-22.135	1> 361.2500	-2.543
2: 366.7500	-4.226	2: 366.7500	-5.547
3: 356.4500	-4.817	3: 356.4500	-5.554
4: 331.2500	-0.058	4: 331.2500	-37.608
5: 391.2500	-0.040	5: 391.2500	-26.339