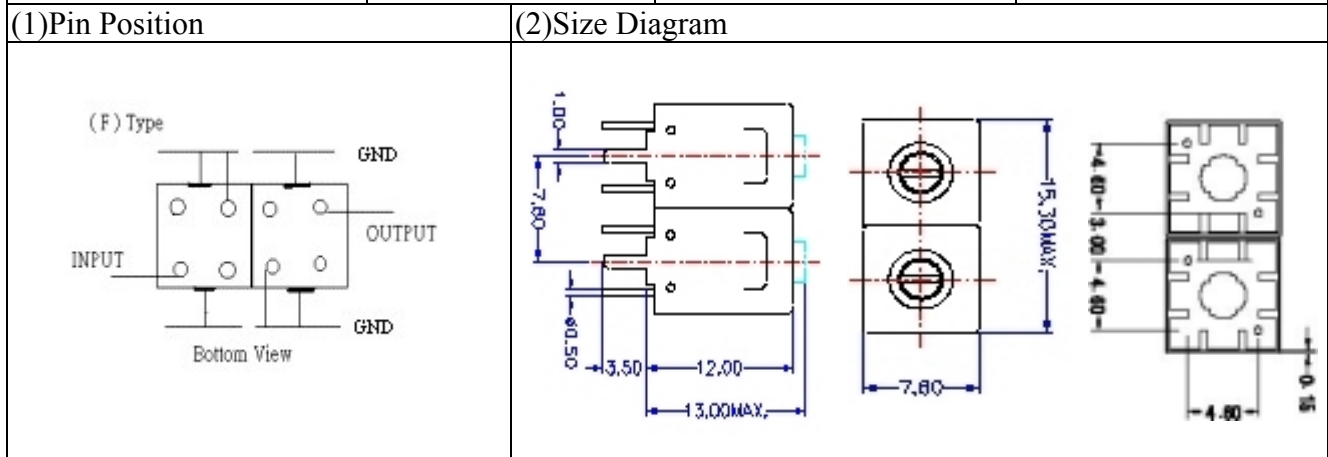


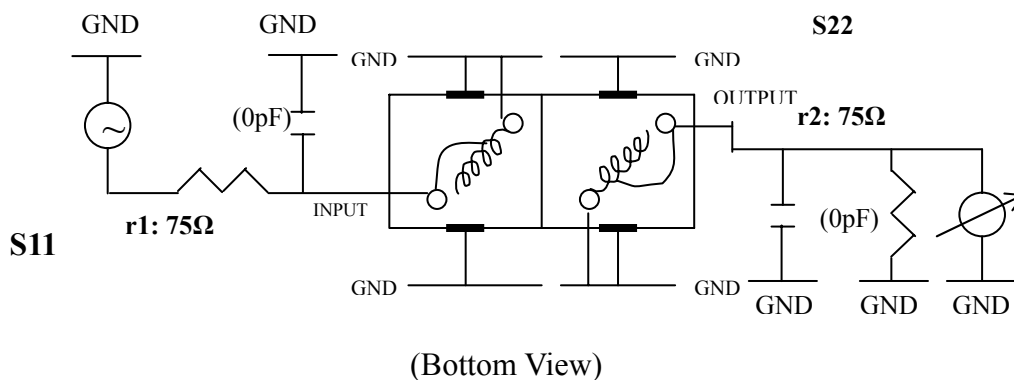
VHF UHF Helical Filter Specification Sheet

Customer Name		Temwell's Part No.	TDL6213F-469.25M
Approval No. /dated	0711017APR	Customer's Part No.	6213F 469.25M
Work Instruction No.	0711017B	Date	Nov.26.2007



(3) Electric Characteristic		Item	Specify
Center Freq.(Fo) +/- 0.5 %			469.25 MHz
Tunable Range:			469.25±5 MHz
Insertion Loss		Typ.	6.0 dB
-3 dB Bandwidth		Typ.	6 MHz
Sensitivity (Attenuation)	Fo - 20 MHz	Typ.	26 dB
	Fo + 20 MHz	Typ.	22 dB
	Fo - ()MHz	Typ.	dB
	Fo +()MHz	Typ.	dB
Return Loss		Min.	12 dB
Ripple			< 1 dB
Impedance			In / Out : 75 Ω
(4) Torque for Tuning Screw			> 60gf cm
(5) Temperature Condition:			
Operating Temperature			0 ~ +60
Storage Temperature			-20 ~ +70
(6) Input Power			> 1Watt

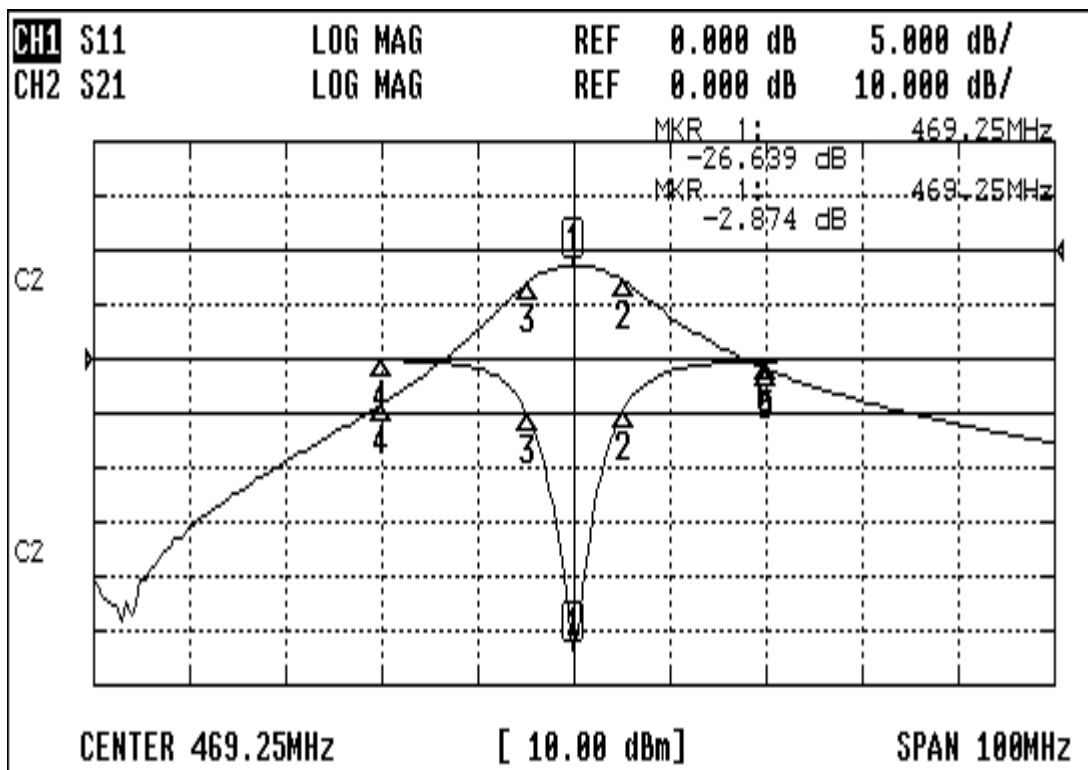
(7) Measuring Circuit: Easy to match Impedance /75Ω by parallel with about (0) pF.



Approval	Supervisor	Designer	Aperture size
C.Y.Chang	C.S.Chang	Y.H.Choan	7H2(4*5.5)F 7H046LB4 聚 3
TEMWELL		CORPORATION	

Performance-TDL6213F-469.25M

0711017B



CH1 MARKER LIST

1:	469.250MHz	-26.675 dB
2:	474.500MHz	-4.664 dB
3:	464.500MHz	-5.083 dB
4:	449.250MHz	-0.088 dB
5:	489.250MHz	-0.175 dB
6:		
7:		
8:		
9:		
10:		

CH2 MARKER LIST

1:	469.250MHz	-2.874 dB
2:	474.500MHz	-5.823 dB
3:	464.500MHz	-5.887 dB
4:	449.250MHz	-28.267 dB
5:	489.250MHz	-21.781 dB
6:		
7:		
8:		
9:		
10:		