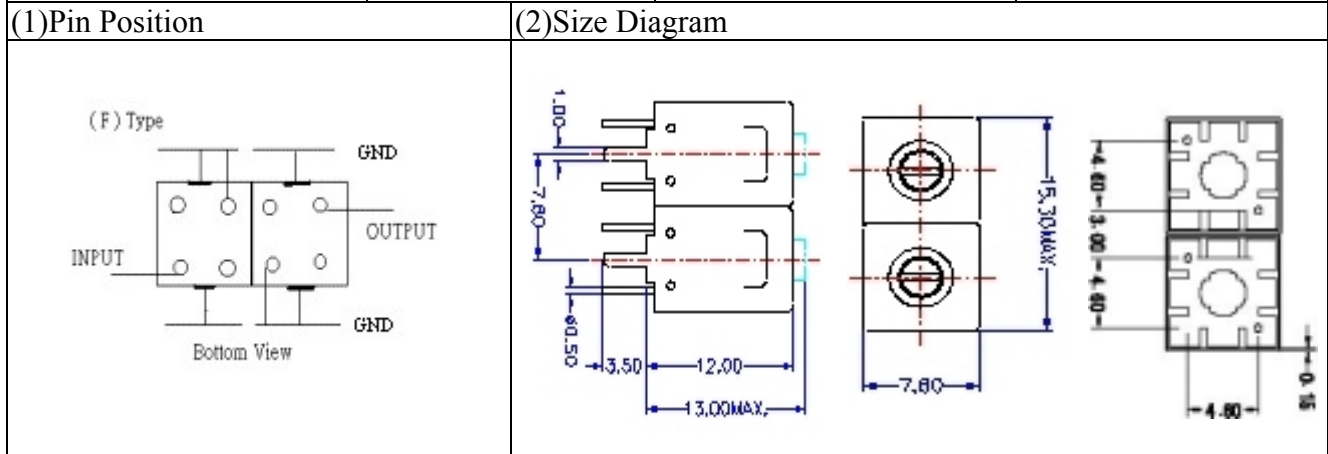


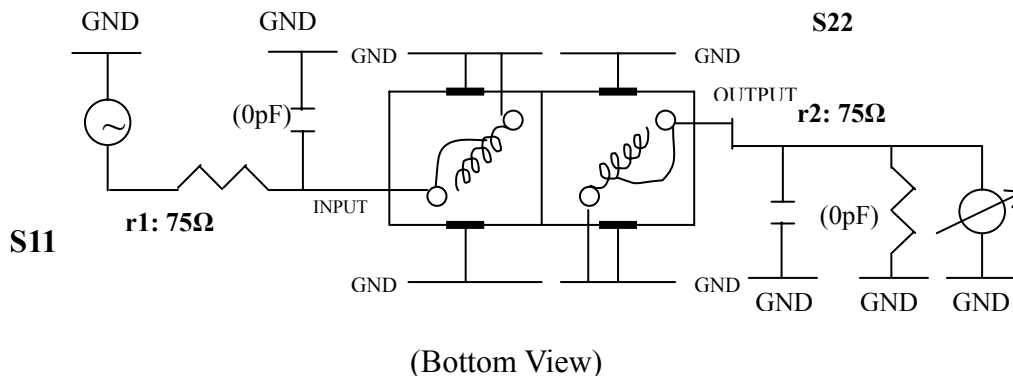
# VHF UHF Helical Filter Specification Sheet

Customer Name		Temwell's Part No.	TDL62137F-313.25M
Approval No. /dated	0711014APR	Temwell's print name.	62137F 313.25M
Work Instruction No.	0711014B	Date	Nov.26.2007



(3)Electric Charasteric	
Item	Specify
Center Freq.(Fo) +/- 0.5 %	313.25 MHz
Tunable Range:	313.25±4 MHz
Insertion Loss	Typ. 4.5 dB
-3 dB Bandwidth	Typ. 8 MHz
Sensitivity (Attenuation)	Fo - 40 MHz Typ. 35 dB
	Fo + 40 MHz Typ. 27 dB
	Fo - ( )MHz Typ. dB
	Fo +( )MHz Typ. dB
Return Loss	Min. 12 dB
Ripple	< 1 dB
Impedance	In / Out : 75 Ω
(4)Torque for Tuning Screw	> 60gf cm
(5)Temperature Condition:	
Operating Temperature	0 ~ +60
Storage Temperature	-20 ~ +70
(6)Input Power	> 1Watt

(7)Measuring Circuit: Easy to match Impedance /75Ω by parallel with about ( 0 ) pF.

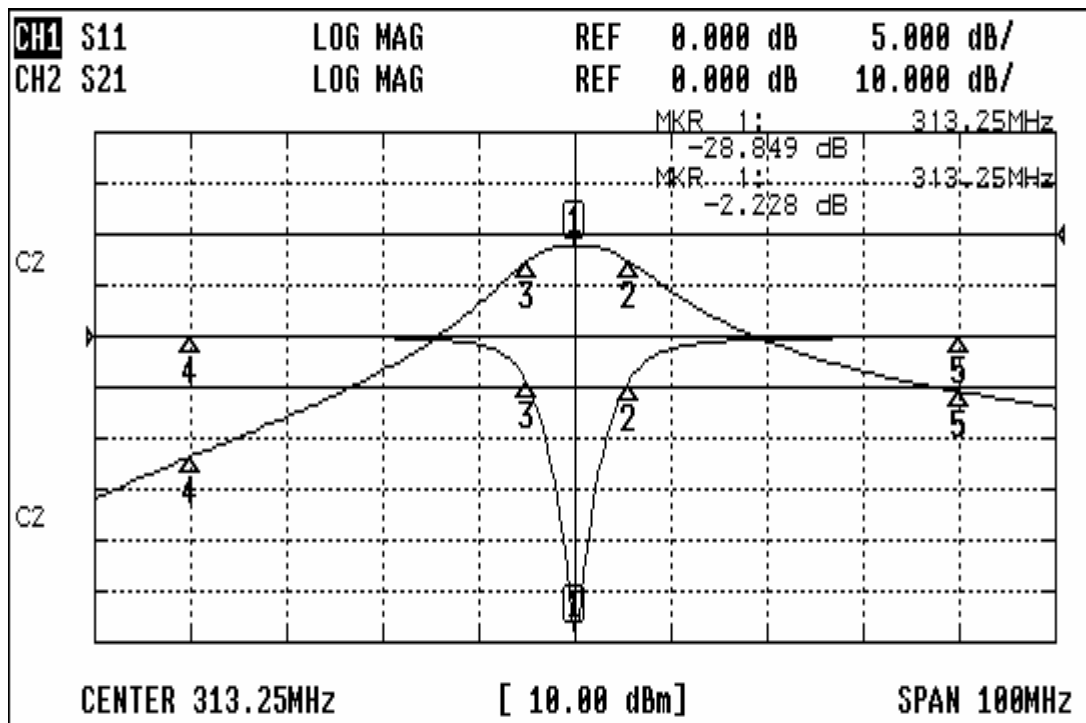


Approval	Supervisor	Designer	Aperture size
C.Y.Chang	C.S.Chang	P.H.Chiang	7H2(4*6.5)F 7H024LB4

TEMWELL CORPORATION

# Performance-TDL62137F-313.25M

## 0711014B



### CH1 MARKER LIST

1	313.250MHz	-28.849	0.000
2	318.833MHz	-4.550	0.000
3	308.633MHz	-4.646	0.000
4	273.250MHz	-0.000	0.000
5	353.250MHz	-0.060	0.000
6			
7			
8			
9			
10			

### CH2 MARKER LIST

1	313.250MHz	-2.228	0.000
2	318.833MHz	-1.205	0.000
3	308.633MHz	-1.602	0.000
4	273.250MHz	-4.736	0.000
5	353.250MHz	-0.851	0.000
6			
7			
8			
9			
10			