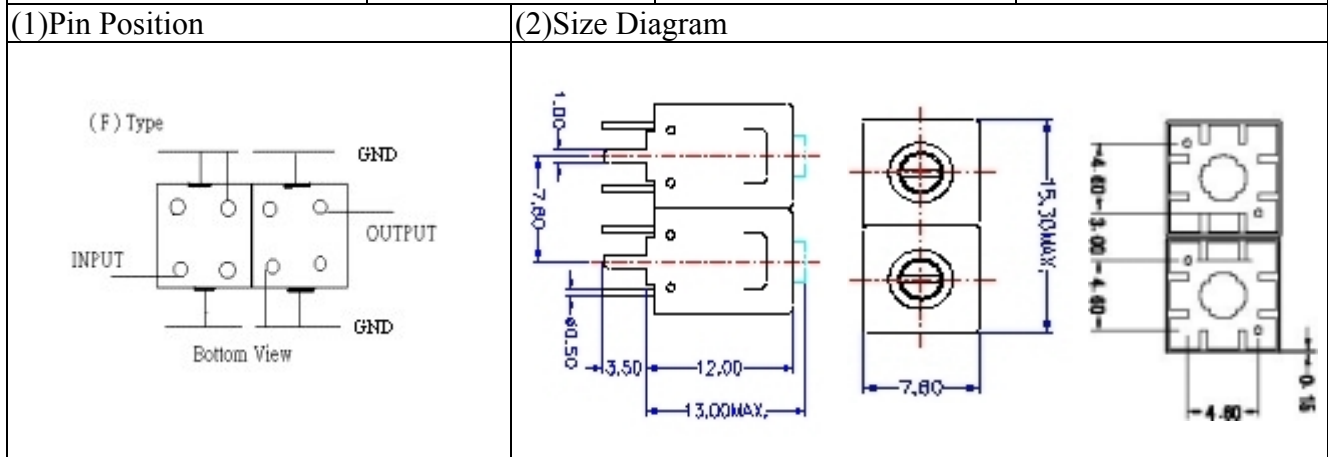


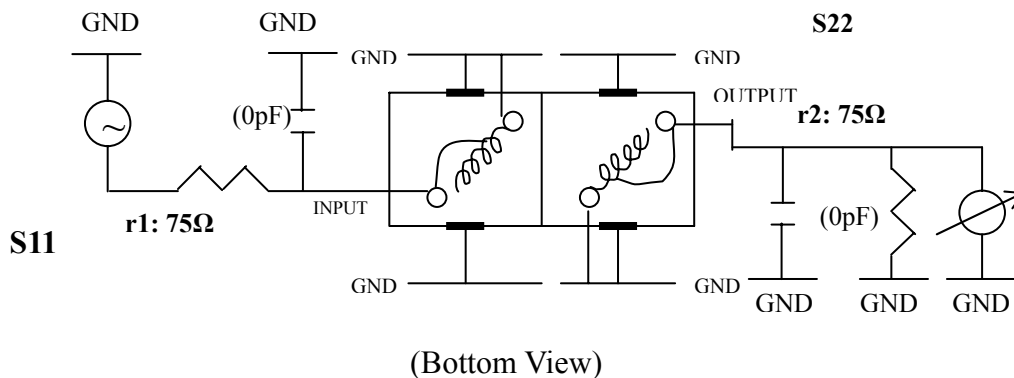
# VHF UHF Helical Filter Specification Sheet

Customer Name		Temwell's Part No.	TDL62121F-211.25M
Approval No. /dated	0711010APR	Customer's Part No.	62121F 211.25M
Work Instruction No.	0711010B	Date	Nov.15.2007



(3) Electric Characteristic	
Item	Specify
Center Freq.(Fo) +/- 0.5 %	223.25 MHz
Tunable Range:	223.25±4 MHz
Insertion Loss	Typ. 2.5 dB
-3 dB Bandwidth	Typ. 7 MHz
Sensitivity (Attenuation)	Fo - 30 MHz Typ. 27 dB
	Fo + 30 MHz Typ. 26 dB
	Fo - ( )MHz Typ. dB
	Fo +( )MHz Typ. dB
Return Loss	Min. 12 dB
Ripple	< 1 dB
Impedance	In / Out : 75 Ω
(4) Torque for Tuning Screw > 60gf cm	
(5) Temperature Condition:	
Operating Temperature	0 ~ +60
Storage Temperature	-20 ~ +70
(6) Input Power > 1Watt	

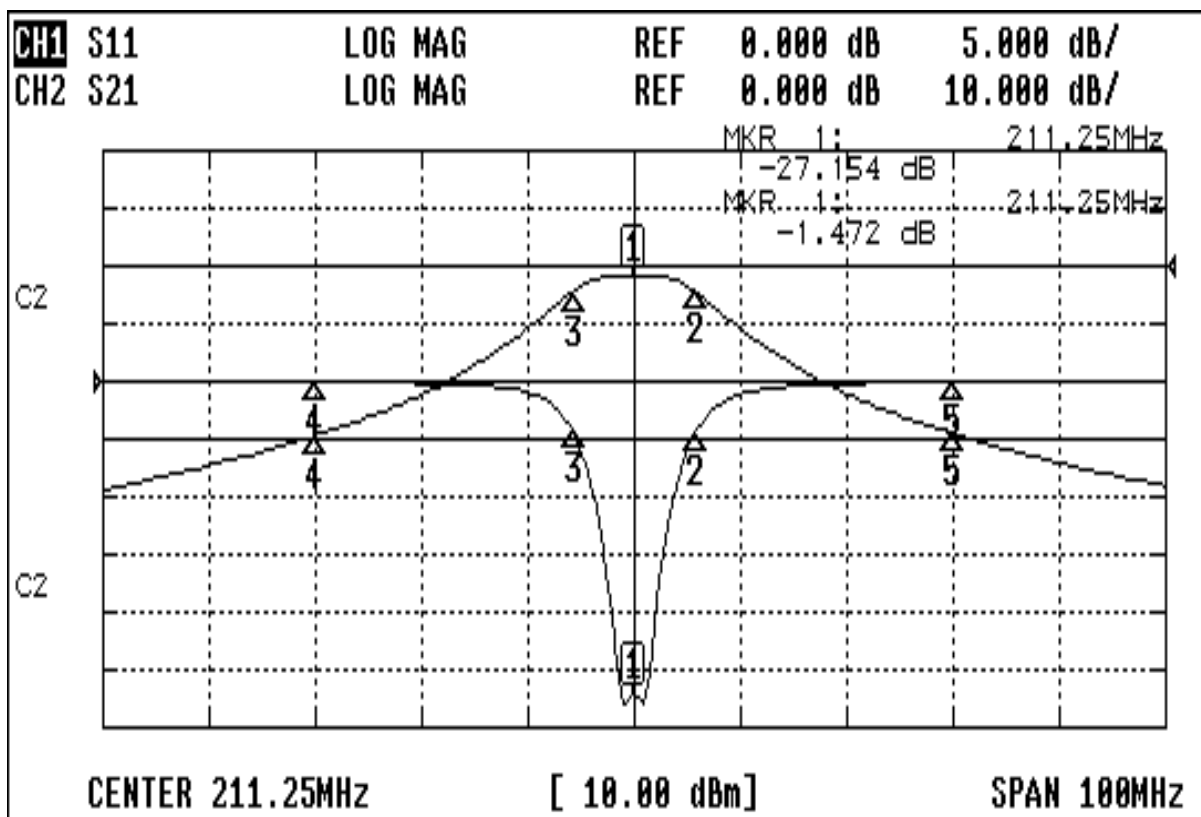
(7) Measuring Circuit: Easy to match Impedance /75Ω by parallel with about ( 0 ) pF.



Approval	Supervisor	Designer	Aperture size
C.Y.Chang	C.S.Chang	P.H.Chiang	7H2(4*6.5)F 7H024LB4
TEMWELL		CORPORATION	

# Performance-TDL62121F-211.25M

## 0711010B



### CH1 MARKER LIST

1:	211.250MHz	-27.154 dB
2:	217.083MHz	-4.413 dB
3:	205.500MHz	-4.263 dB
4:	181.250MHz	-0.076 dB
5:	241.250MHz	-0.061 dB
6:		
7:		
8:		
9:		
10:		

### CH2 MARKER LIST

1:	211.250MHz	-1.477 dB
2:	217.083MHz	-4.557 dB
3:	205.500MHz	-4.448 dB
4:	181.250MHz	-29.357 dB
5:	241.250MHz	-29.085 dB
6:		
7:		
8:		
9:		
10:		