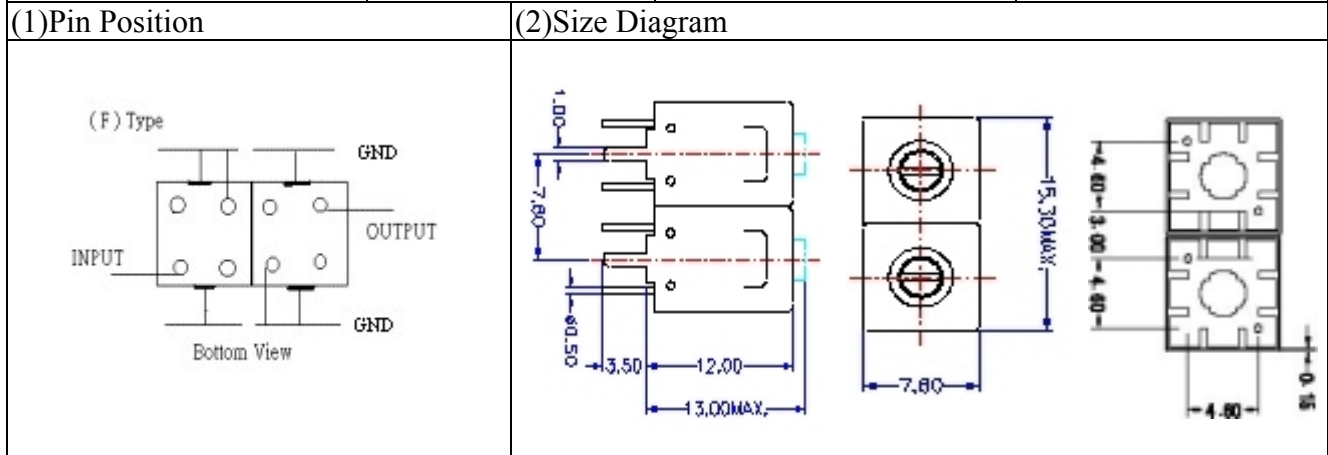


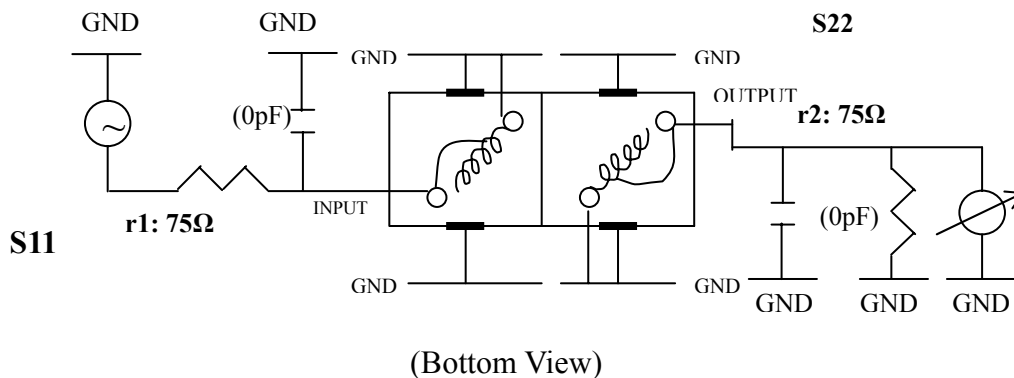
VHF UHF Helical Filter Specification Sheet

Customer Name		Temwell's Part No.	TDL62112F-145.25M
Approval No. /dated	0711008APR	Customer's Part No.	62112F 145.25M
Work Instruction No.	0711008B	Date	Nov.13.2007



(3) Electric Characteristic	
Item	Specify
Center Freq.(Fo) +/- 0.5 %	145.25 MHz
Tunable Range:	145.25±5 MHz
Insertion Loss	Typ. 2.5 dB
-3 dB Bandwidth	Typ. 7 MHz
Sensitivity (Attenuation)	Fo - 30 MHz Typ. 28 dB
	Fo + 30 MHz Typ. 25 dB
	Fo - ()MHz Typ. dB
	Fo +()MHz Typ. dB
Return Loss	Min. 12 dB
Ripple	< 1 dB
Impedance	In / Out : 75 Ω
(4) Torque for Tuning Screw	
> 60gf cm	
(5) Temperature Condition:	
Operating Temperature	0 ~ +60
Storage Temperature	-20 ~ +70
(6) Input Power	
> 1Watt	

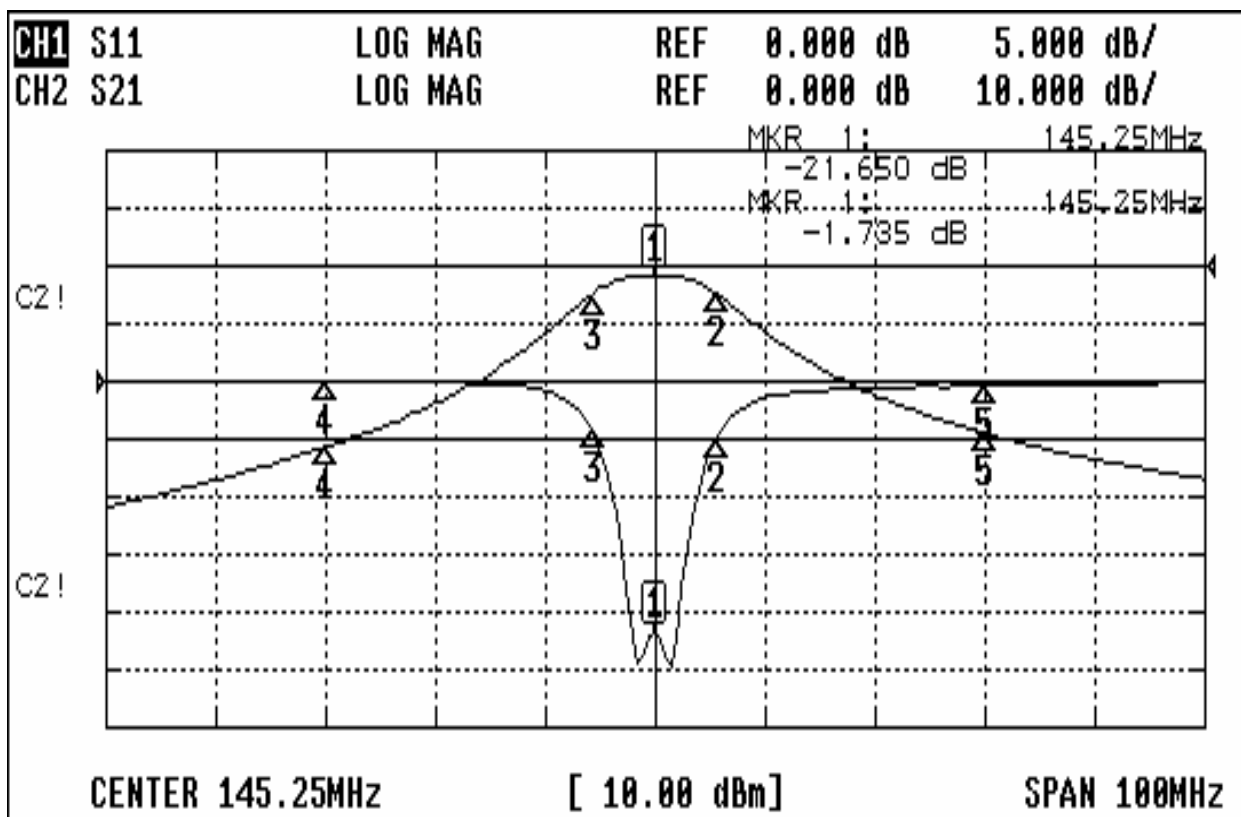
(7) Measuring Circuit: Easy to match Impedance /75Ω by parallel with about (0) pF.



Approval	Supervisor	Designer	Aperture size
C.Y.Chang	C.S.Chang	P.H.Chiang	7H2(4*6.5)F 7H00LB4
TEMWELL		CORPORATION	

Performance-TDL62112F-145.25M

0711008B



CH1 MARKER LIST

1:	145.250MHz	-21.652 dB
2:	150.916MHz	-4.892 dB
3:	139.500MHz	-4.174 dB
4:	115.250MHz	0.118 dB
5:	175.250MHz	-0.378 dB
6:		
7:		
8:		
9:		
10:		

CH2 MARKER LIST

1:	145.250MHz	-1.735 dB
2:	150.916MHz	-4.807 dB
3:	139.500MHz	-4.812 dB
4:	115.250MHz	-31.372 dB
5:	175.250MHz	-28.946 dB
6:		
7:		
8:		
9:		
10:		